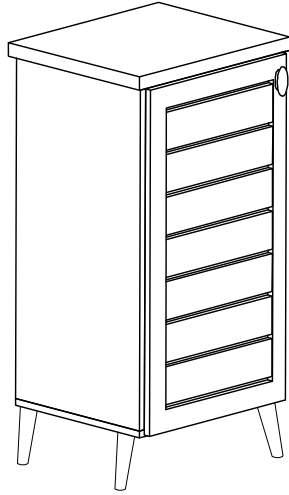




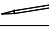

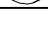


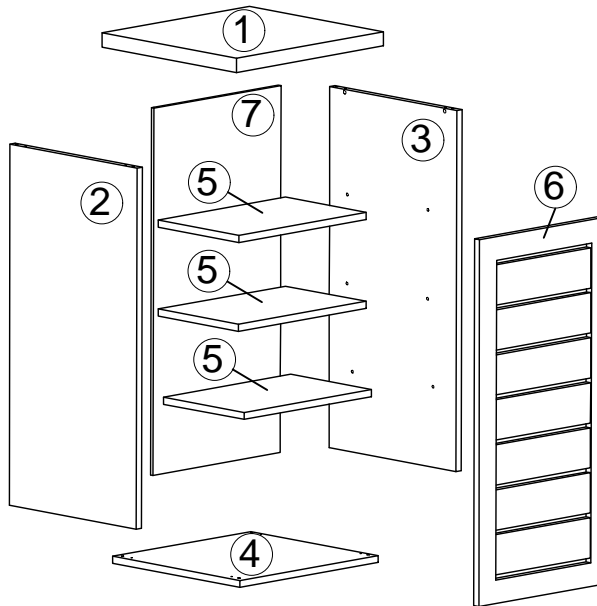
Assembly Instruction

Model : TR 17301 ALANYA



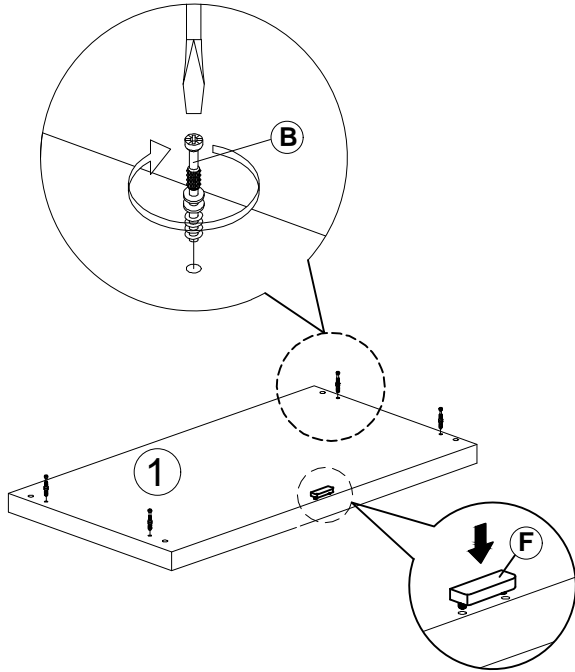
Hardware List			
No.	SHAPE	DESCRIPTION	Qty.
A		8x25mm Dowel	8Pcs
B		15MM Myfix Minifix	4Sets
C		M3.5x16mm Screw	28Pcs
D		M4x45mm Screw	4Pcs
E		Nail	30Pcs
F		Hinges	2Pcs
G		Plastic Leg	4Pcs
H		Shelf Support	12Pcs
I		Handle	1Pcs
J		M4x28mm Screw	1Pcs
K		Stiker (7532.33)	1Pcs

Part List

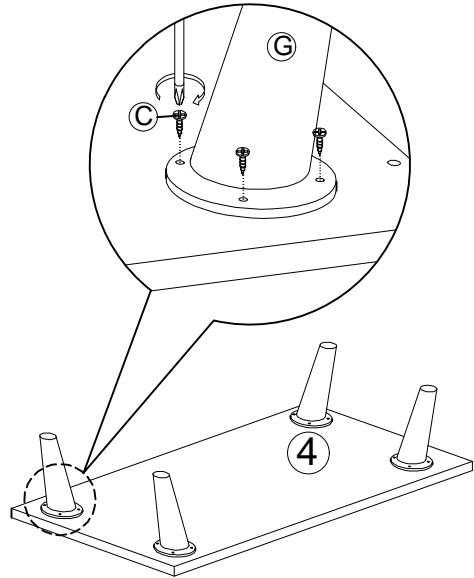


Assembly Instruction

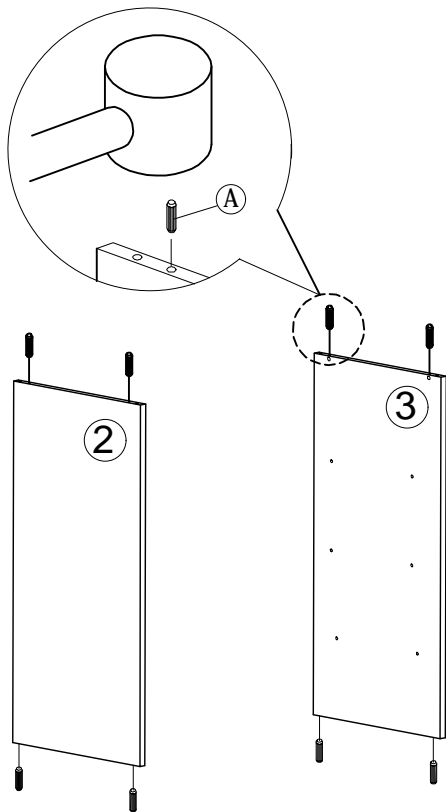
Step 1



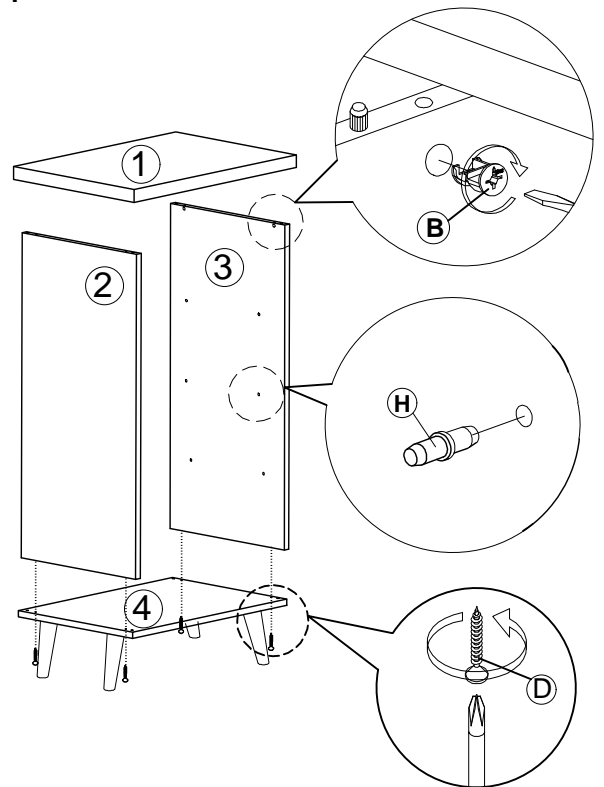
Step 2



Step 3

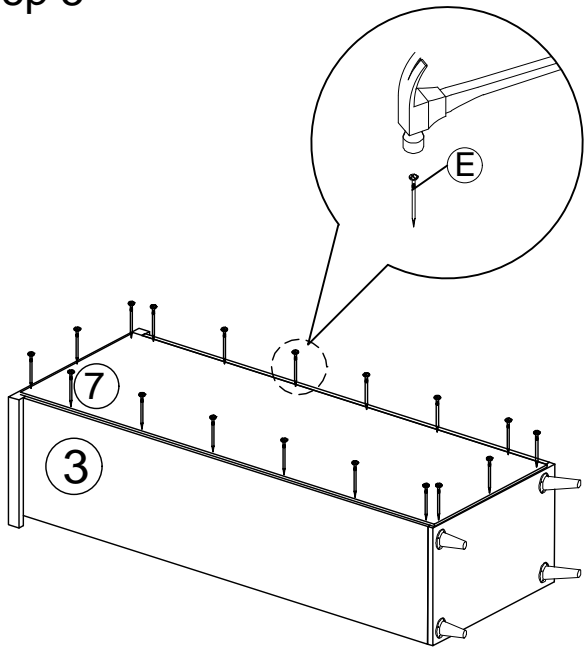


Step 4

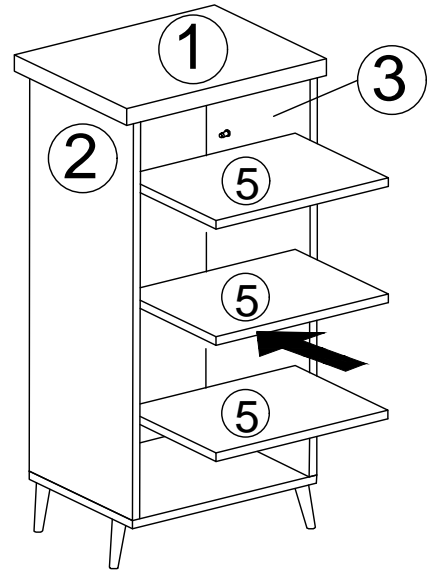


Assembly Instruction

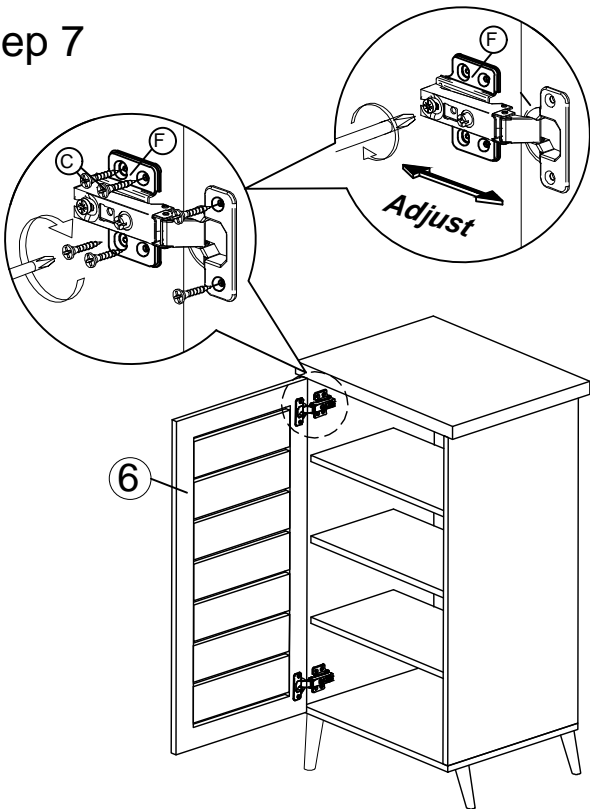
Step 5



Step 6



Step 7



Step 8

