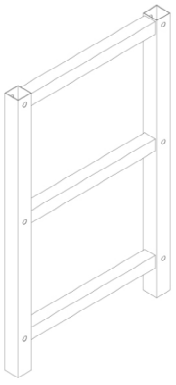


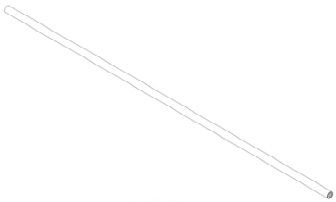
Step 1

A



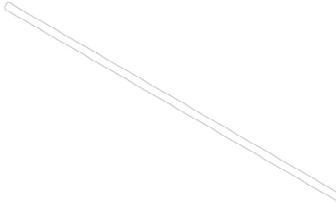
x2

B



757mm x6

C



800mm x6

D



x8

E

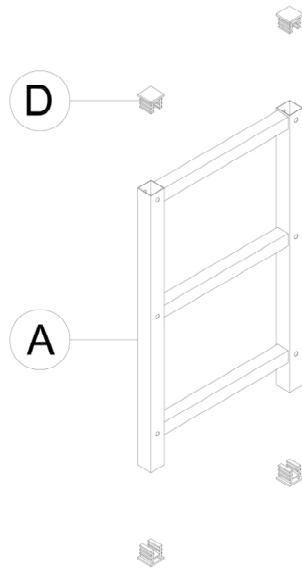


x12

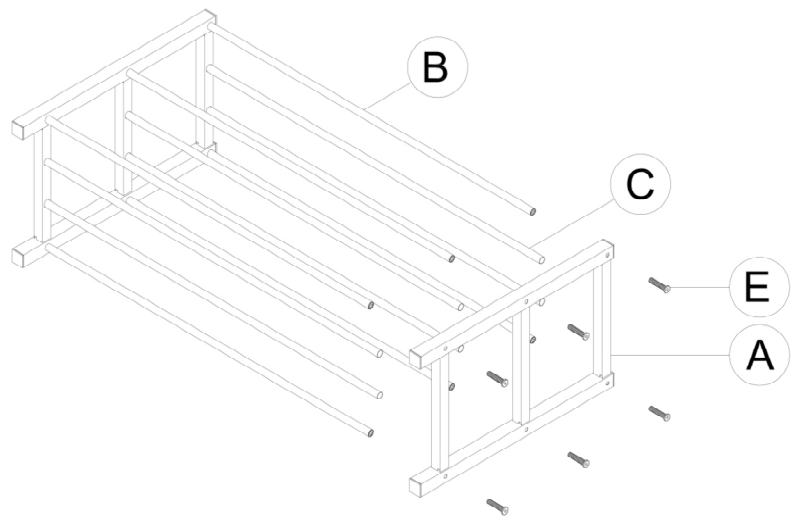
F



x1



Step 2



Finish

