



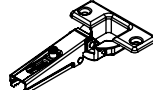

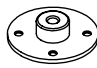



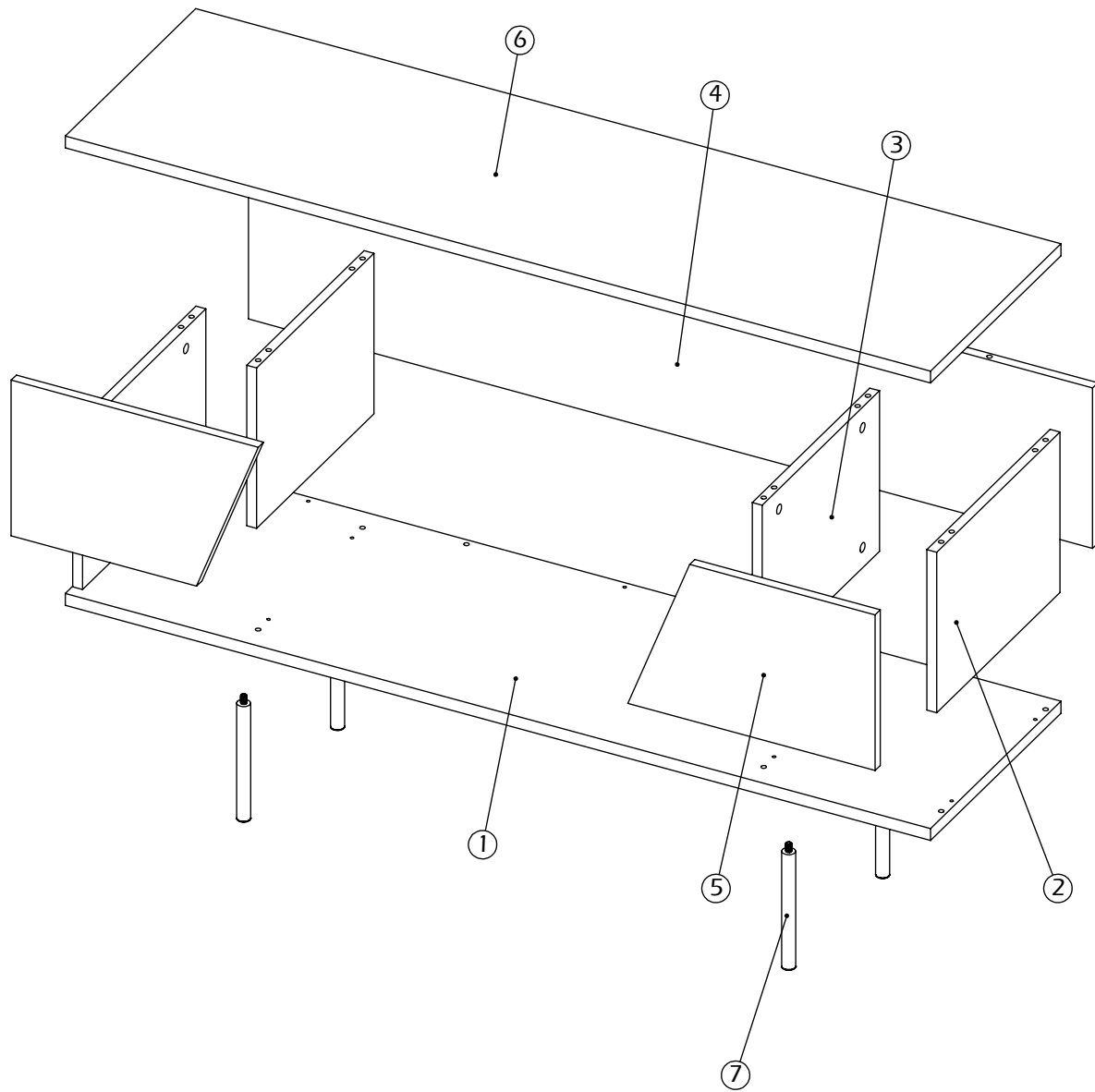


7200.692/525

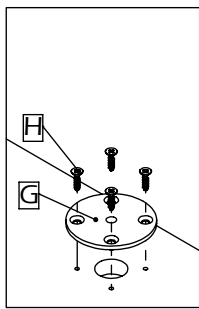
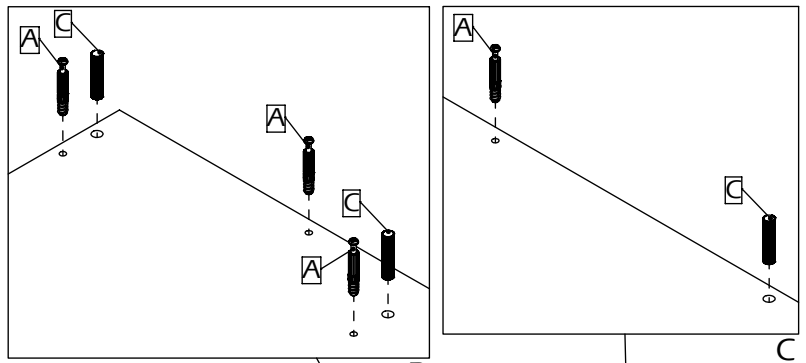


| | | | | | | | |
|--|---|---|--|--|--|--|--|
| <p>A - 22x</p>  <p>Ø7x41mm 0512.041</p> | <p>B - 22x</p>  <p>Ø15x13mm 0512.042</p> | | | | | | |
| <p>C - 20x</p>  <p>Ø8x35mm 0540.003</p> | <p>D - 4x</p>  <p>52x42x15mm 0511.121</p> | <p>E - 4x</p>  <p>100x62x17mm 0511.108</p> | <p>F - 4x</p>  <p>Ø7x1,5mm 0520.102</p> | <p>G - 4x</p>  <p>Ø60x14mm 0513.035</p> | <p>H - 32x</p>  <p>Ø4x16mm 0512.024</p> | <p>I - 1x</p>  <p>Ø67x24mm 0520.164</p> | <p>J - 22x</p>  <p>Ø20x1mm 0520.171</p> |

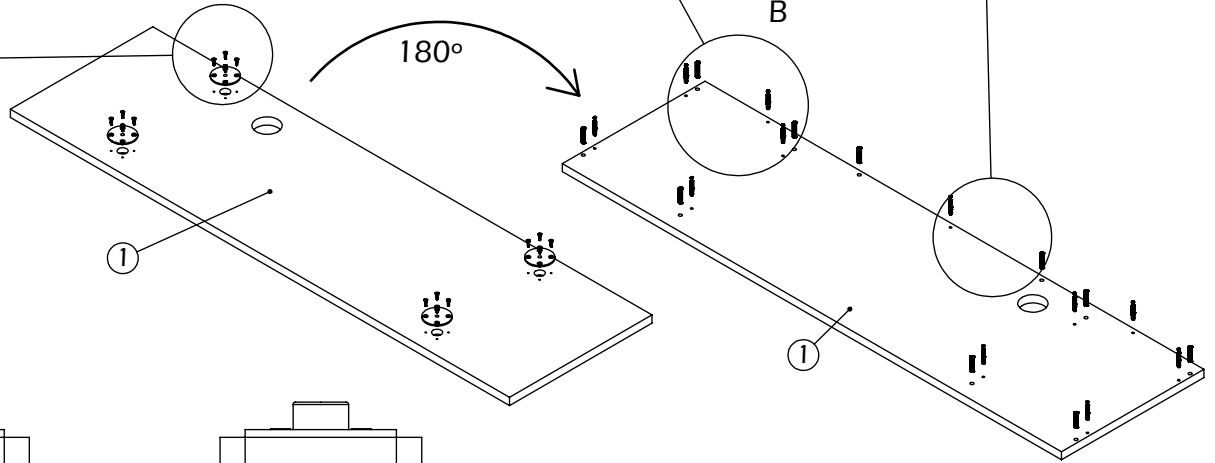


1

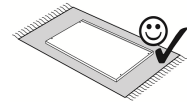
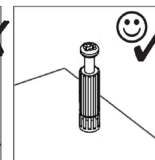
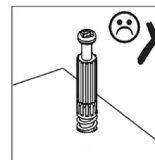
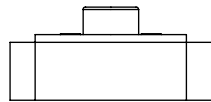
| | | | |
|---------|---------|----------|---------|
| A-x11 | C-x10 | G-x4 | H-x16 |
| | | | |
| Ø7x41mm | Ø8x35mm | Ø60x14mm | Ø4x16mm |



A

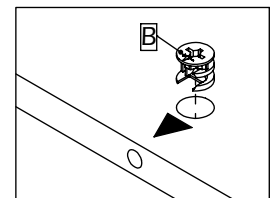
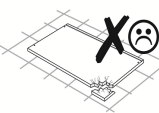
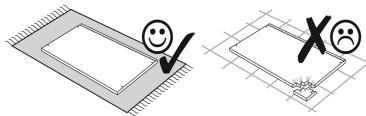


180°

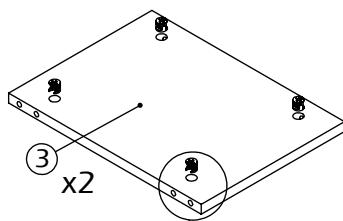


2

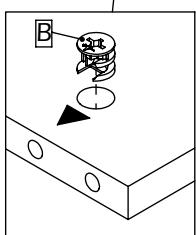
| | | |
|----------|------------|---------|
| B-x22 | D-x4 | H-x8 |
| | | |
| Ø15x13mm | 52x42x15mm | Ø4x16mm |



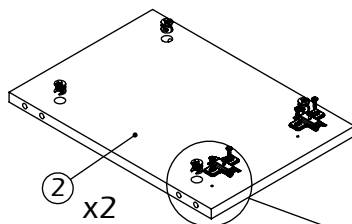
D



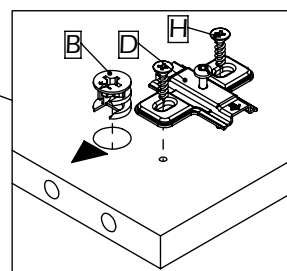
3 x2



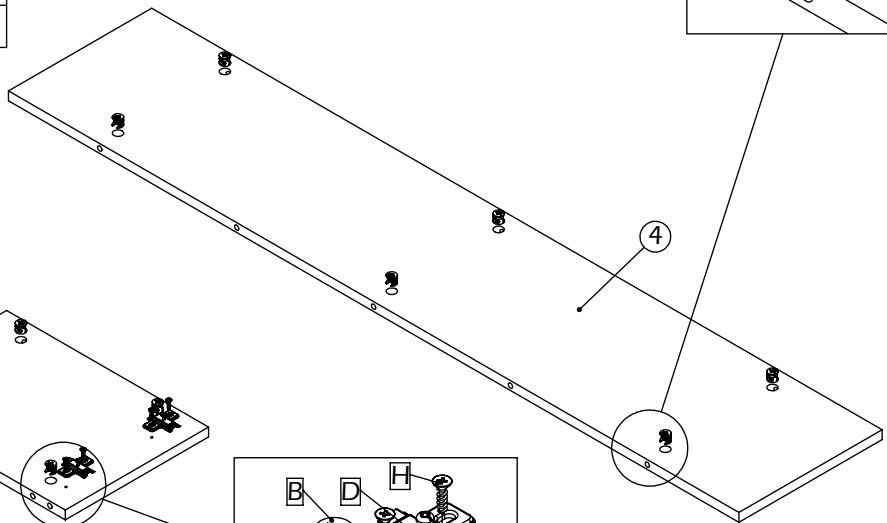
E



2 x2

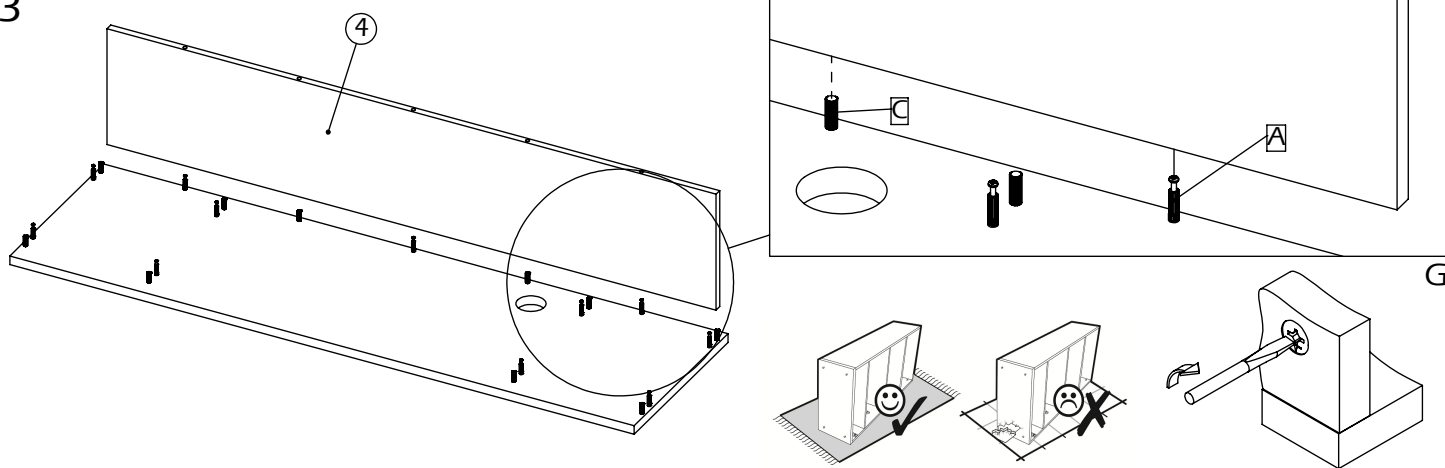


F

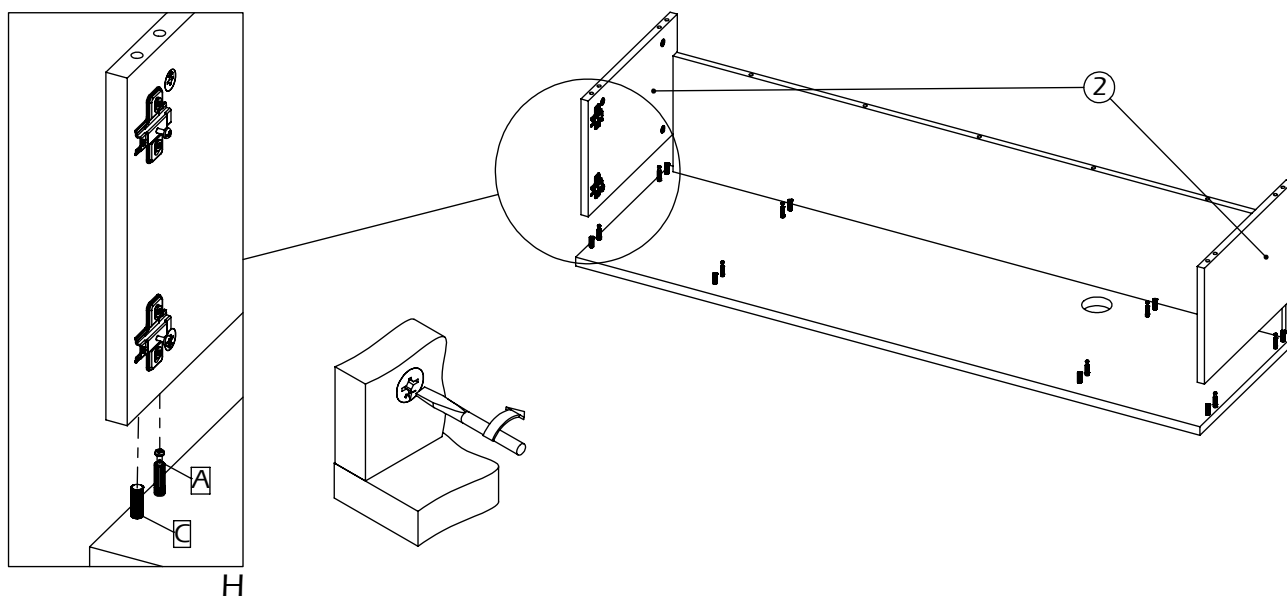


4

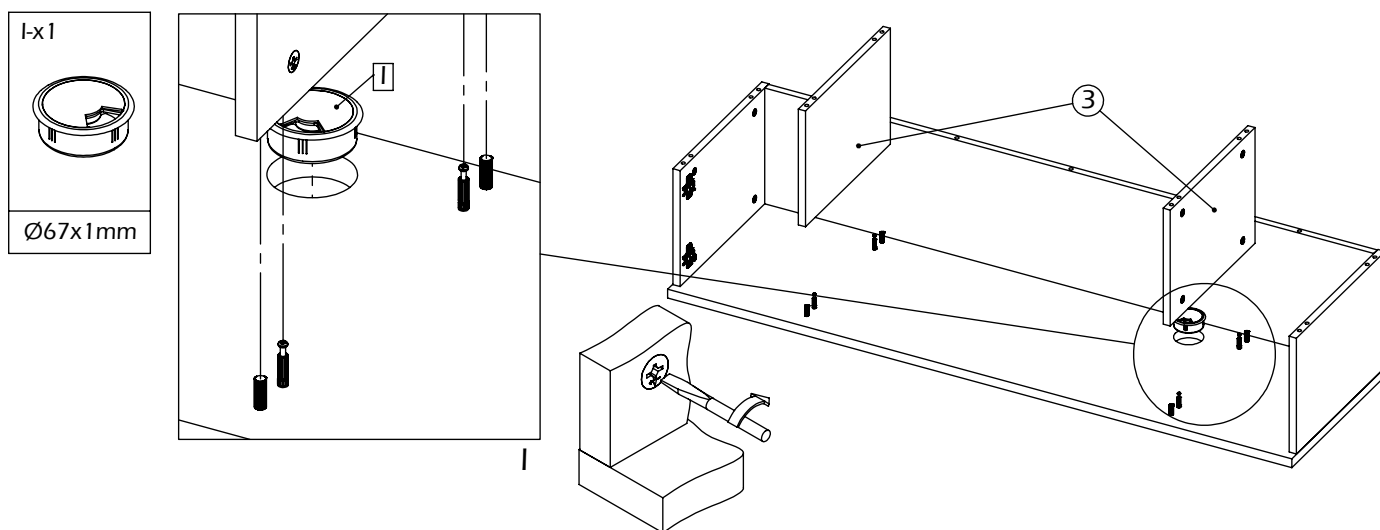
3



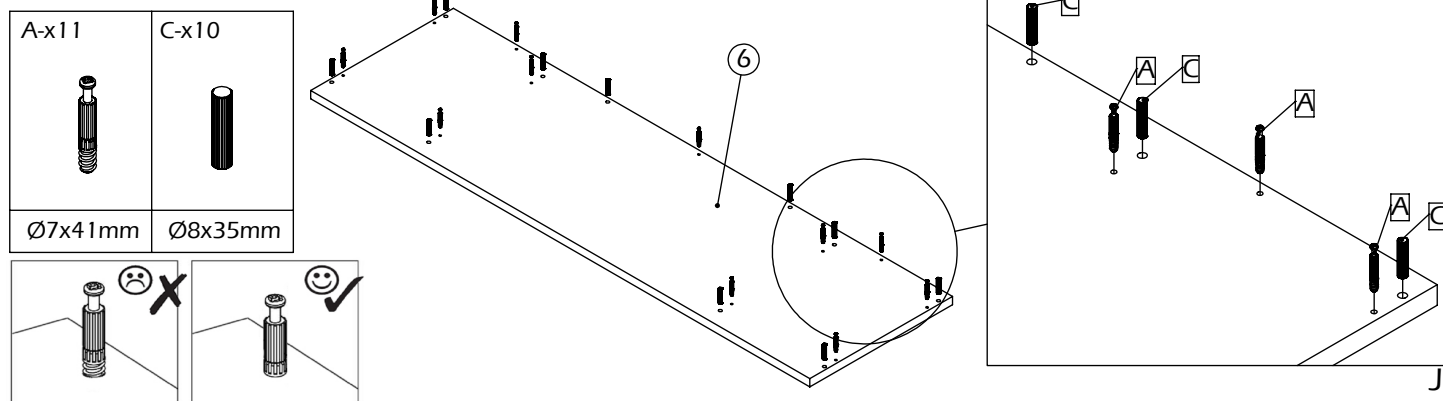
4



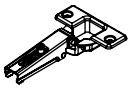

5

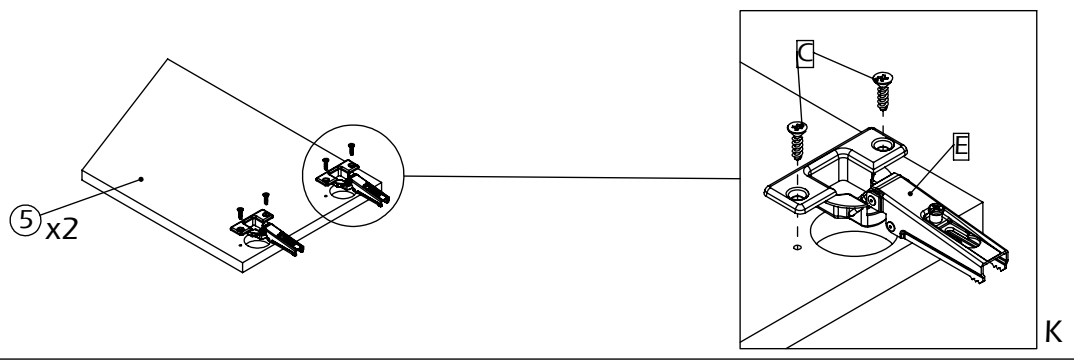


6





7

| | |
|---|---|
| E-x4 | H-x8 |
|  |  |
| 100x62x22mm | Ø4x16mm |



8

| | |
|---|---|
| F-x4 | J-x22 |
|  |  |
| Ø7x1,5mm | Ø20x1mm |

