

- A**

 $\varnothing 8 \times 40$
 x8
- B**

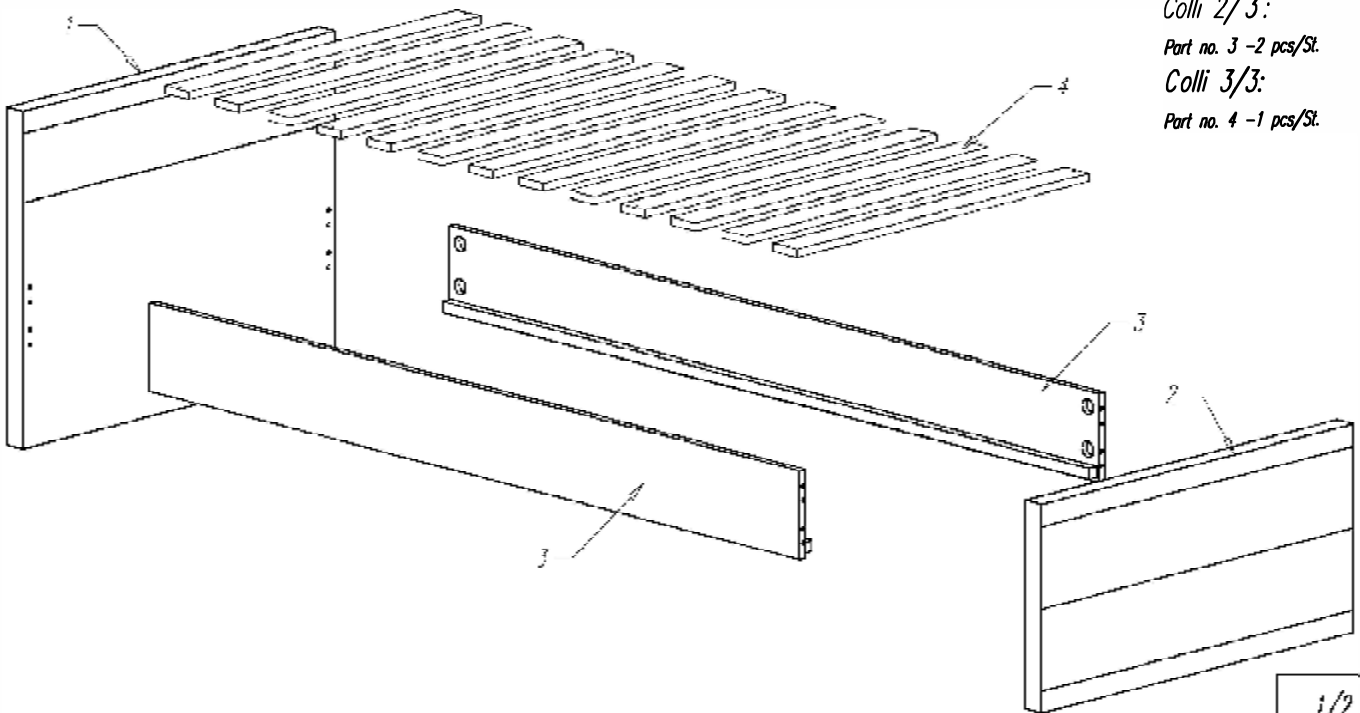
MAXIFIX
M6
 x8
- C**

 x8
- D**

 $\varnothing 3,5 \times 30$
 x10
- E**

 x4
- SW6**
 x1

LARA-BED90 1/2009



Colli 1/3:

Part no. 1 -1 pcs/St.

Part no. 2 -1 pcs/St.

Fittings/Beschlge/Quincaillerie

Assembly instruction

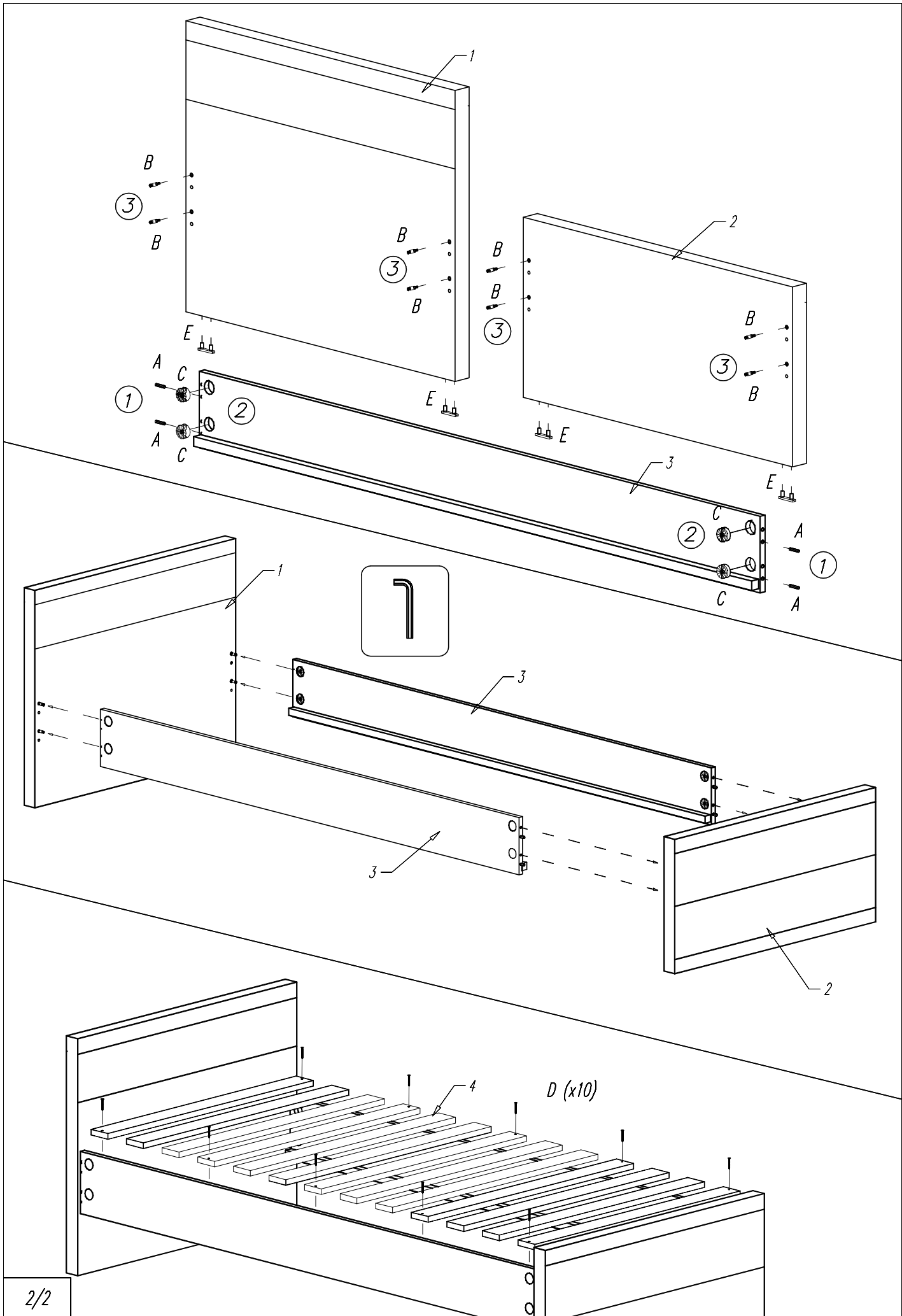
/Instruction/Montage

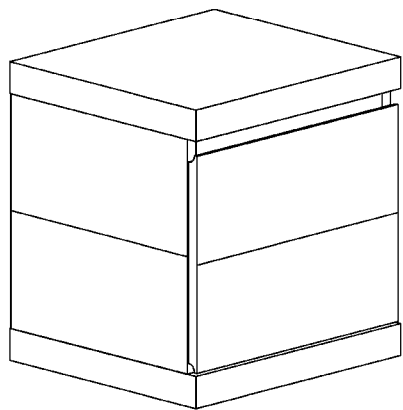
Colli 2/3:

Part no. 3 -2 pcs/St.

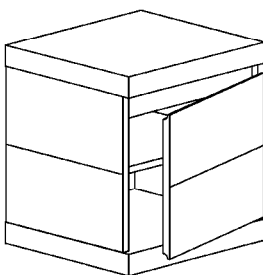
Colli 3/3:

Part no. 4 -1 pcs/St.

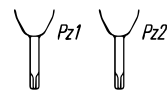
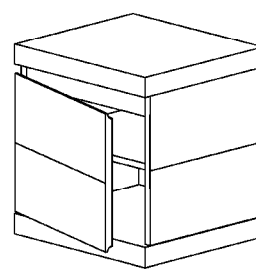




v.R



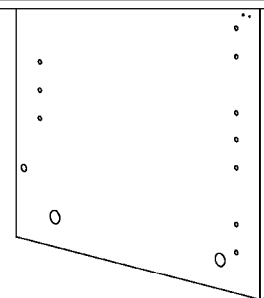
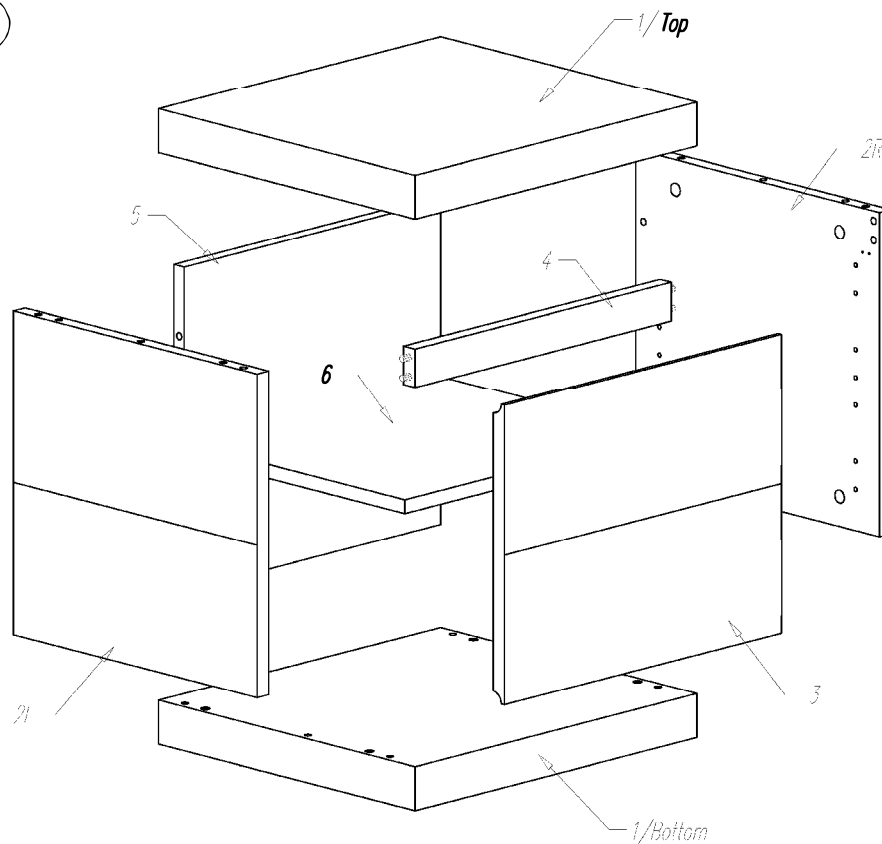
v.L

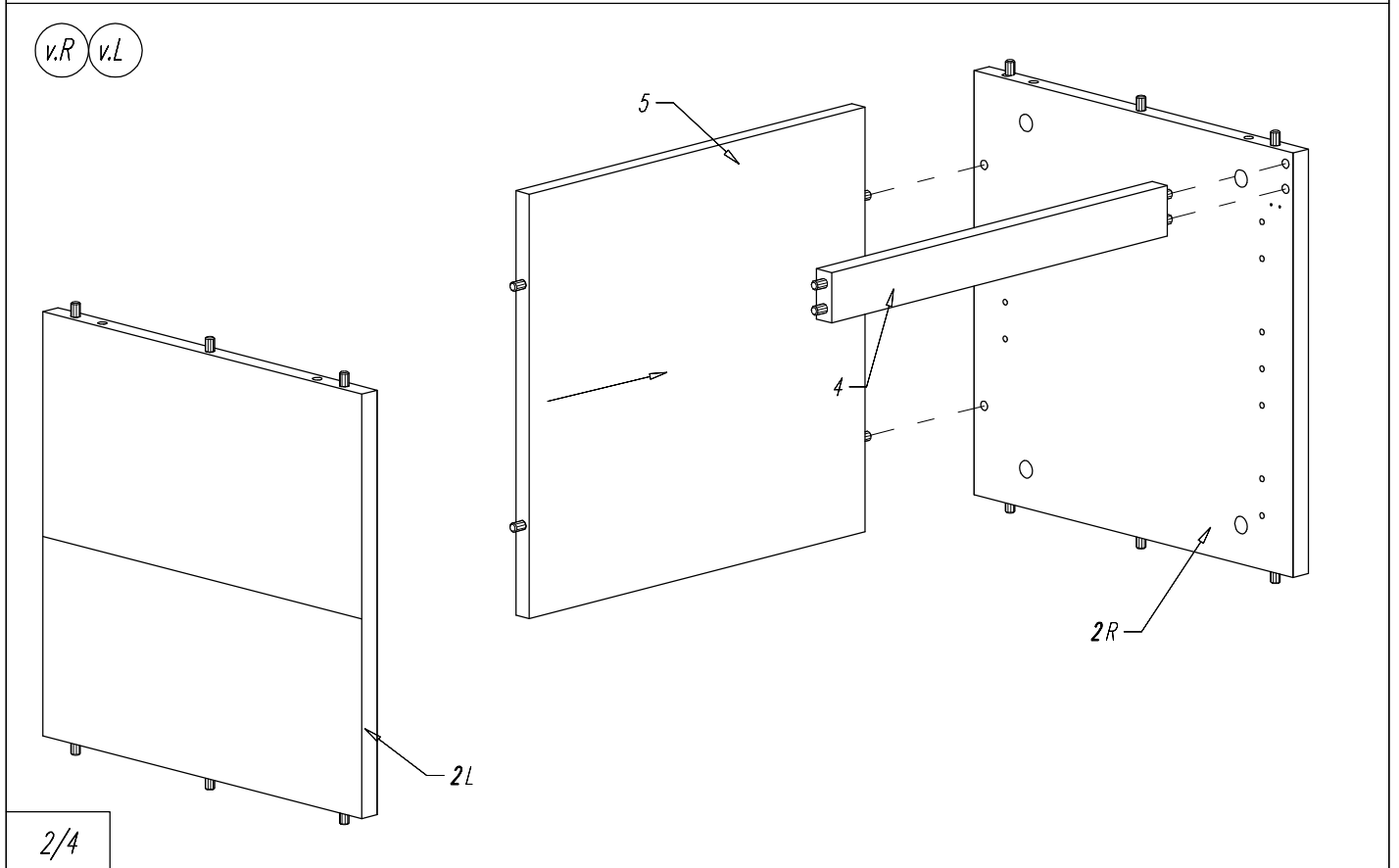
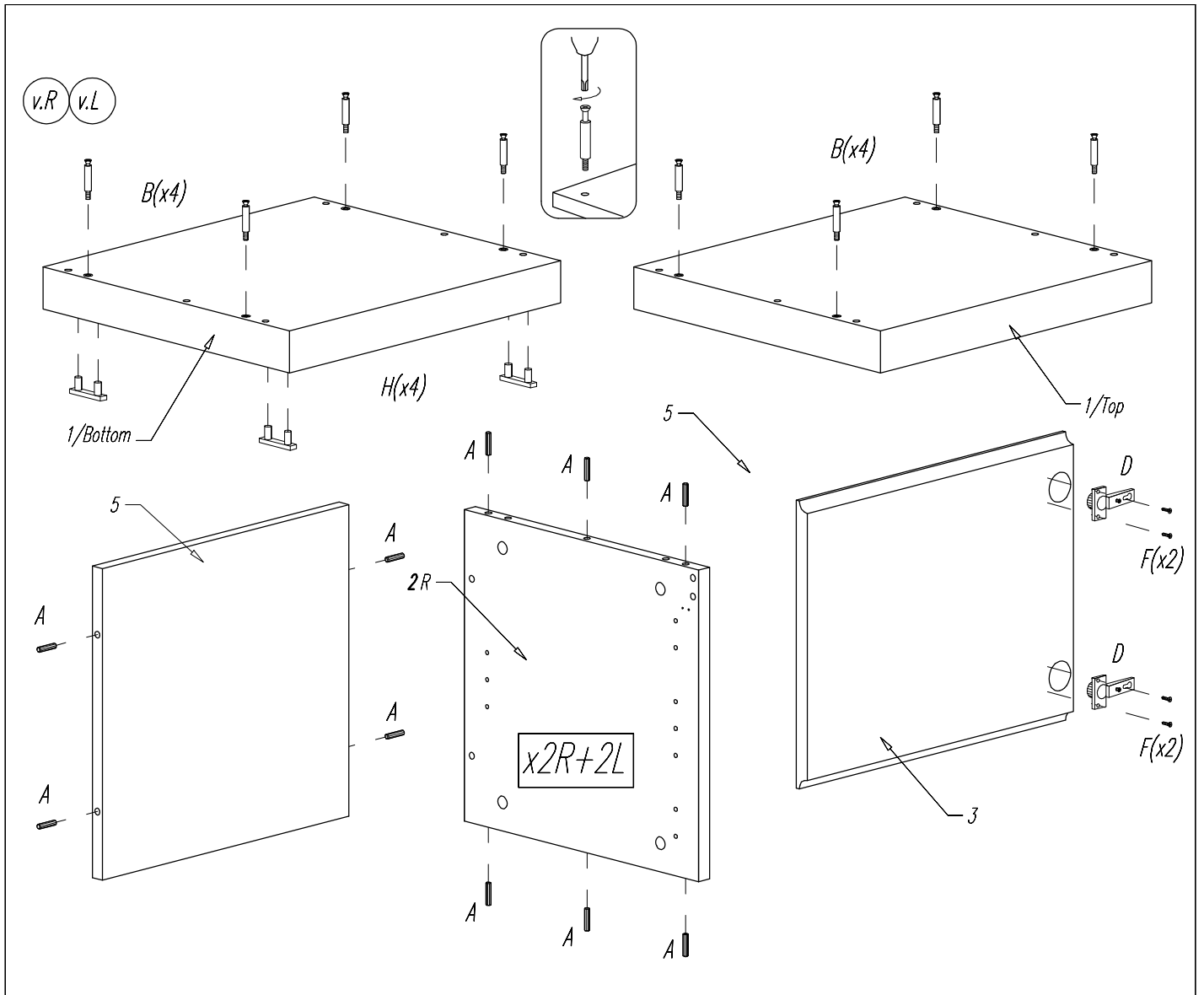


- | | | | | | | | | | | |
|----------------|---------------|-----------|---------------|-----------|-------------|----------|----------|----------|----------|-------------|
| A | B | C | D | E | F | G | H | I | J | K |
| | | | | | | | | | | |
| Ø7,8x19
x16 | L-34/S1
x8 | Ø15
x8 | Ø35/h=6
x2 | H=9
x2 | Ø4x16
x4 | x1 | x1 | x1 | x1 | Ø3x12
x2 |

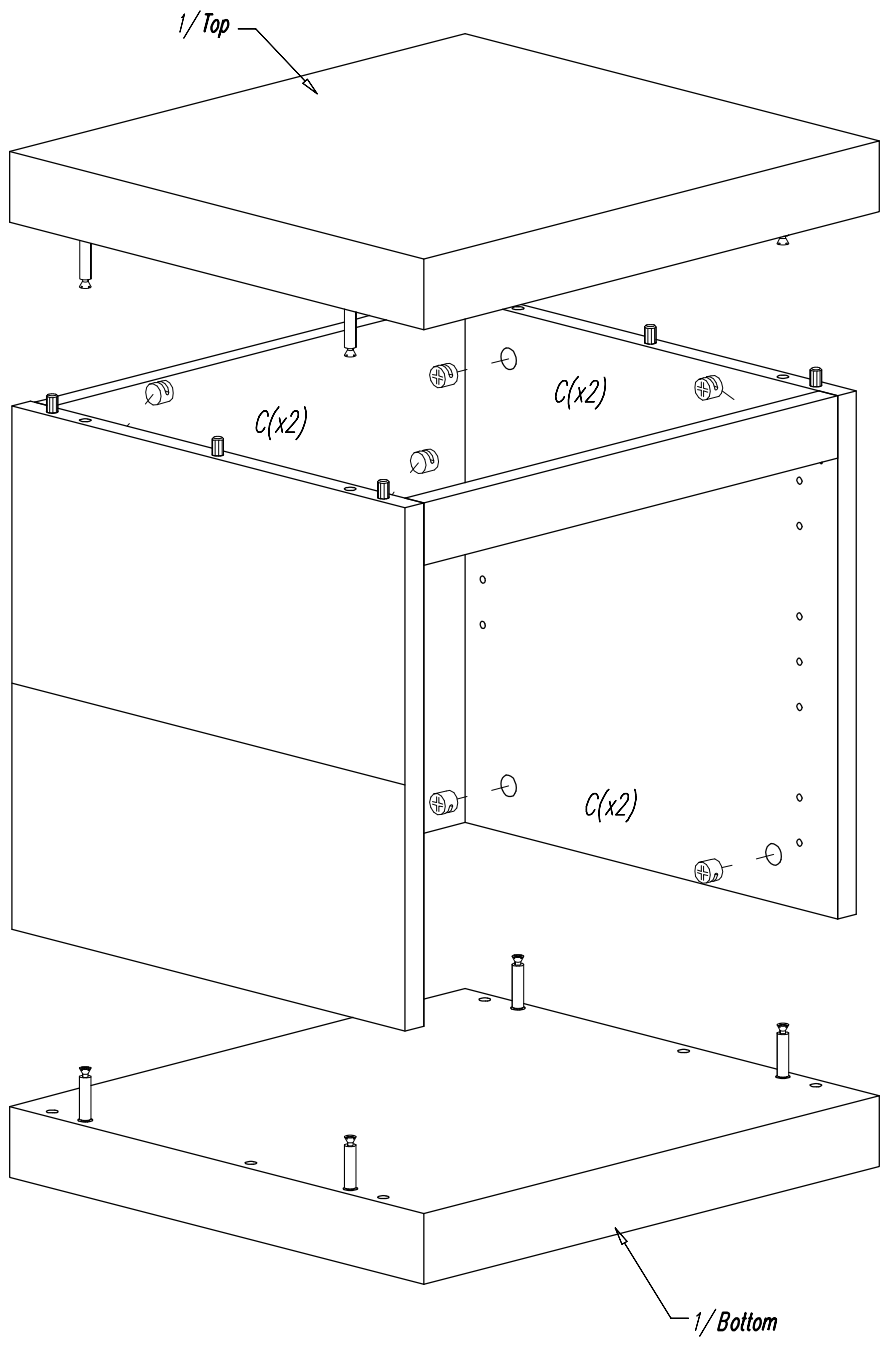
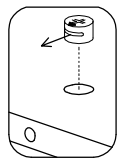
LARA-NIGHT 5/2016

v.R v.L

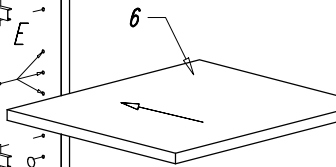
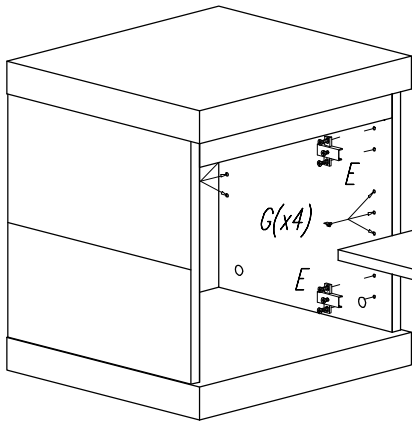
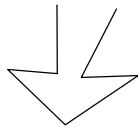
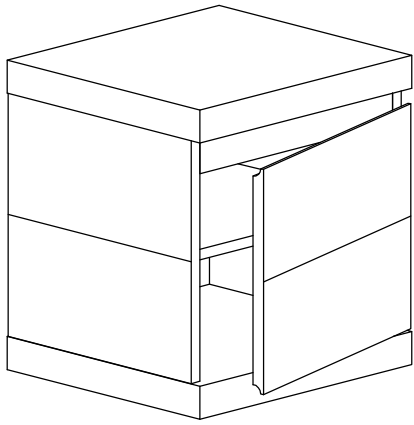




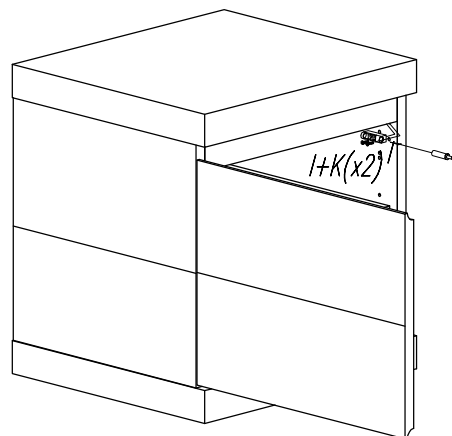
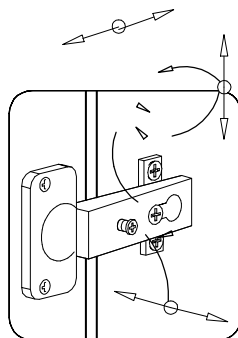
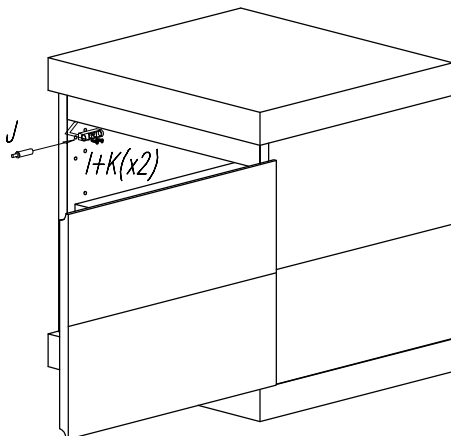
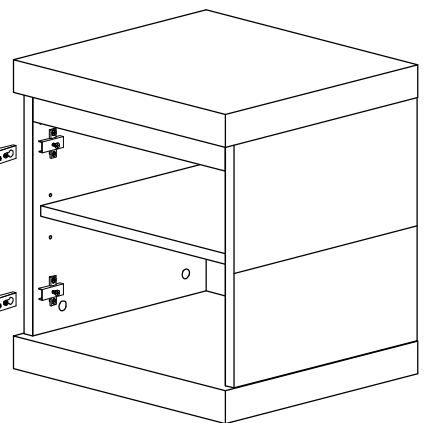
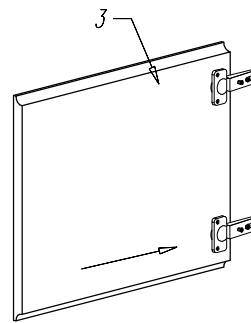
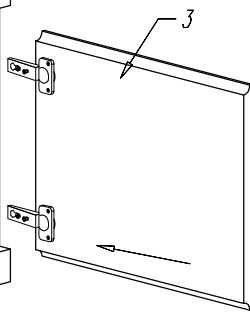
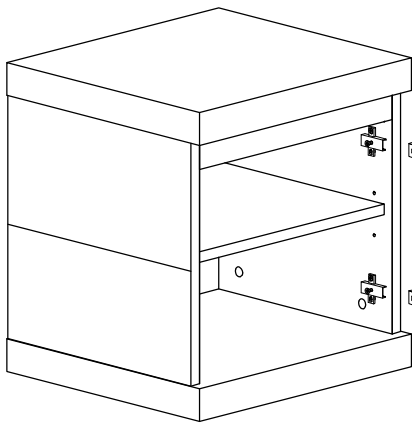
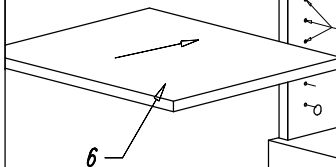
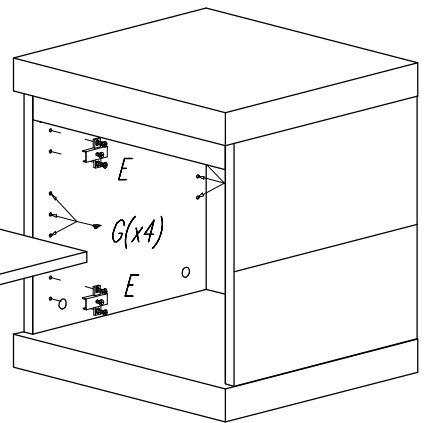
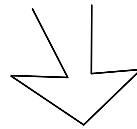
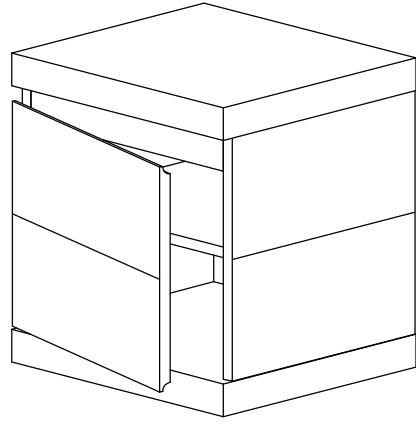
v.R v.L

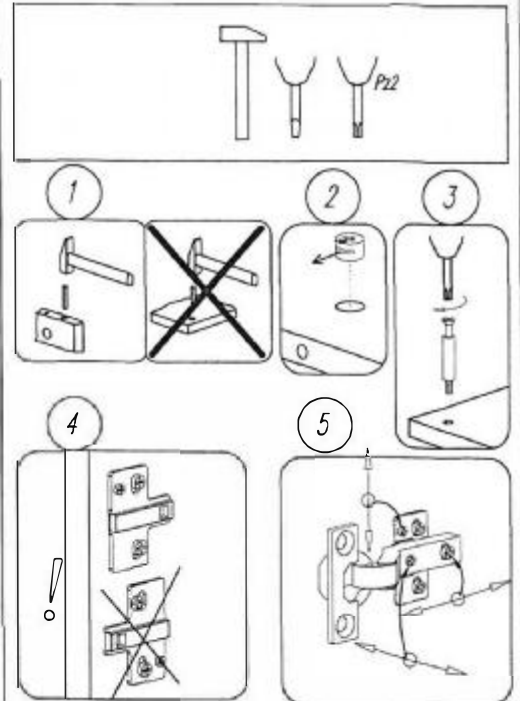
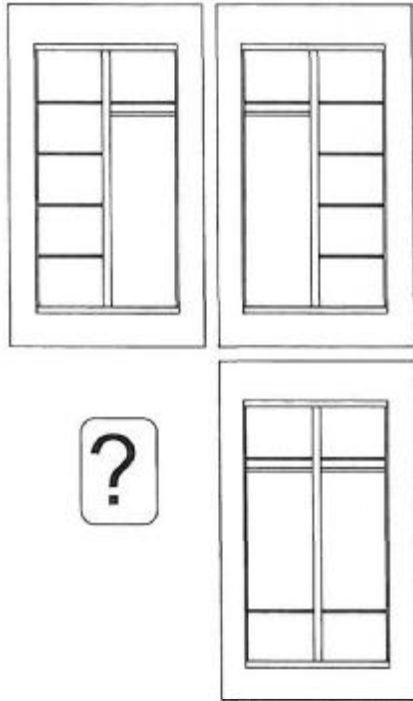
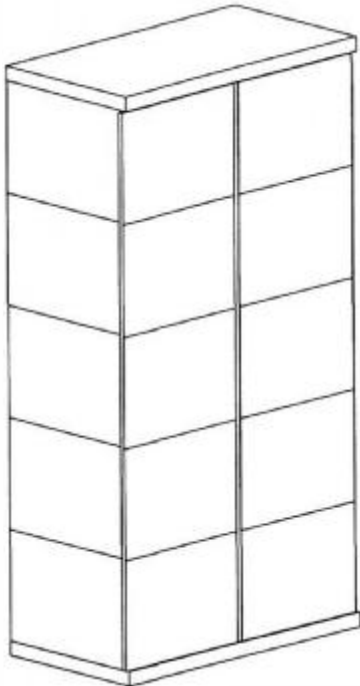


v.R



v.L

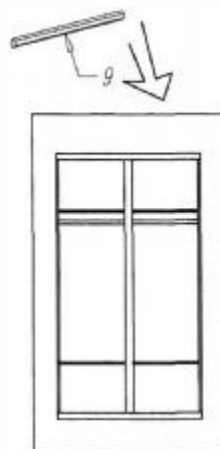
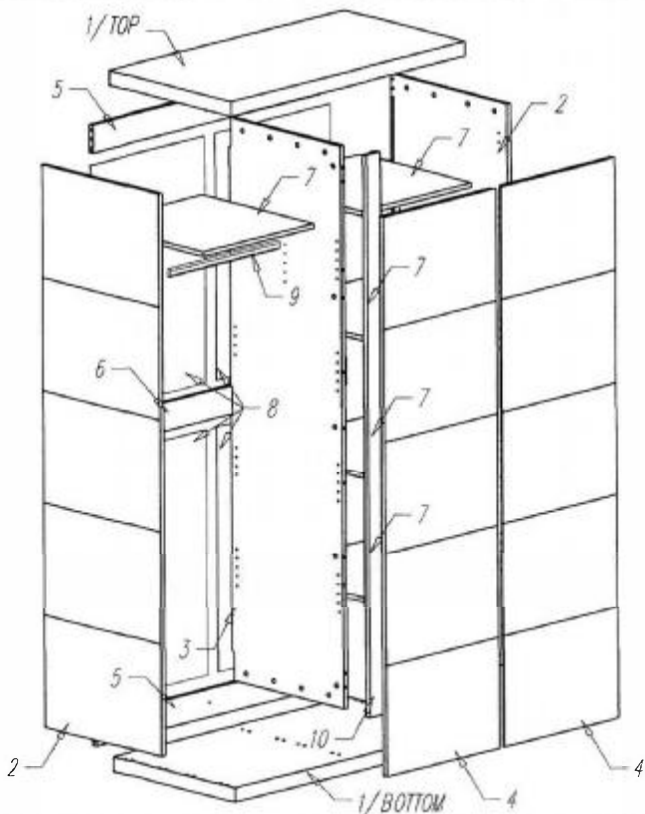




A	B	C	D	E	H	I	J	K	L	M	N	O
Ø7,8x40 x40	L=34/St x35	Ø15x15 x35	MET +/N x8	H=0 x8	x20	x6	x12	Ø3x13 x8	Ø3x16 x12	Ø4x16 x16	Ø3,5x35 x3	Plastic x4

LARA-ROB W2- 2

LARA-W2-T4 ver. 4/2019



Colli 1/4:

Part no. 2 -2 pcs/St.

Colli 2/4:

Part no. 4 -2 pcs/St.

Part no. 8 -2 pcs/St.

Assembly instruction /Instruction/Montage.

Colli 3/4:

Part no. 3 -1 pcs/St.

Part no. 6 -1 pcs/St.

Part no. 7 -1 pcs/St.

Part no. 8 -2 pcs/St.

Part no. 9 -2 pcs/St.

Part no. 10 -1 pcs/St.

Fittings/Beschlage/Quincoillerie

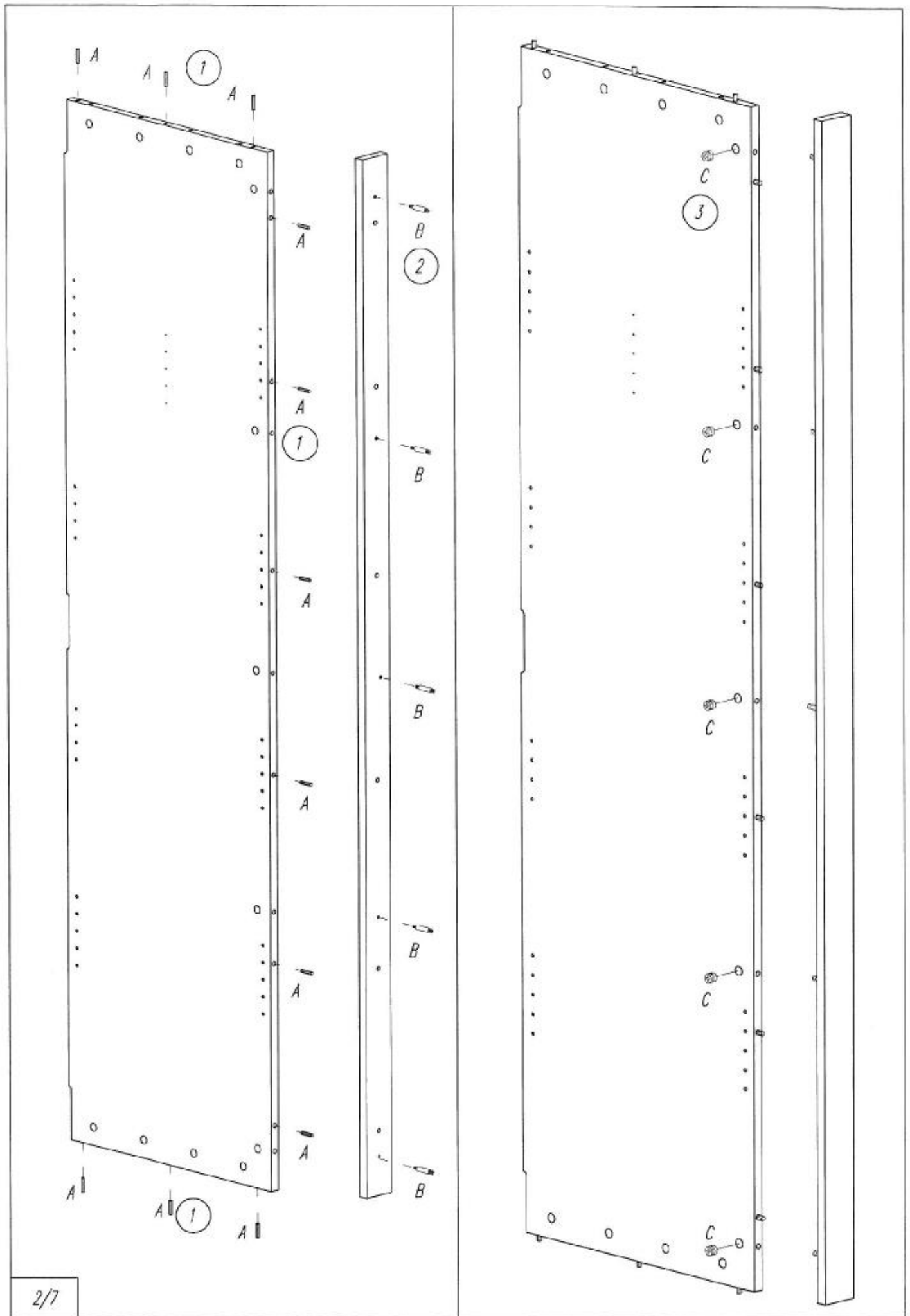
Colli 4/4:

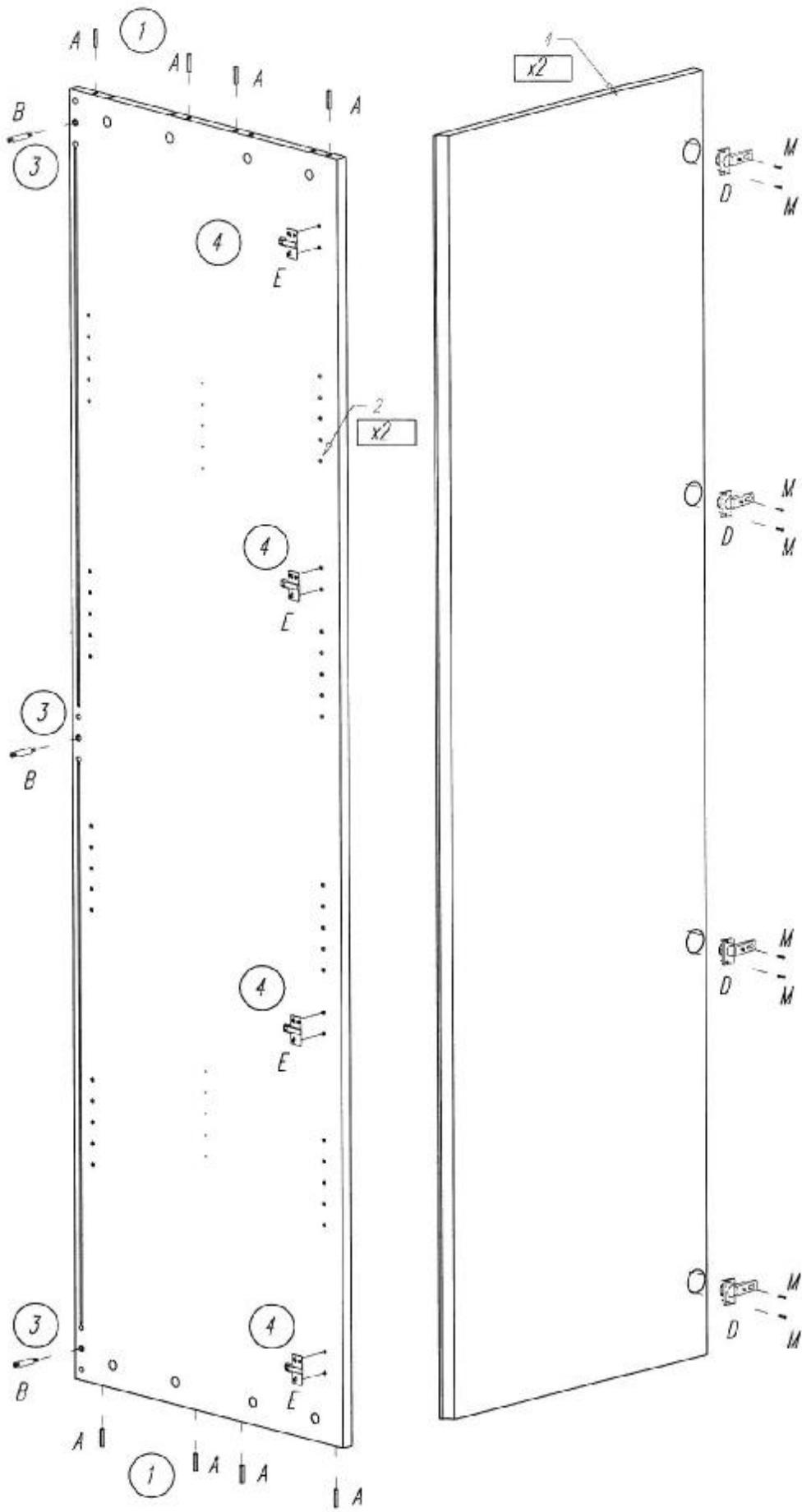
Part no. 1/TOP -1 pcs/St.

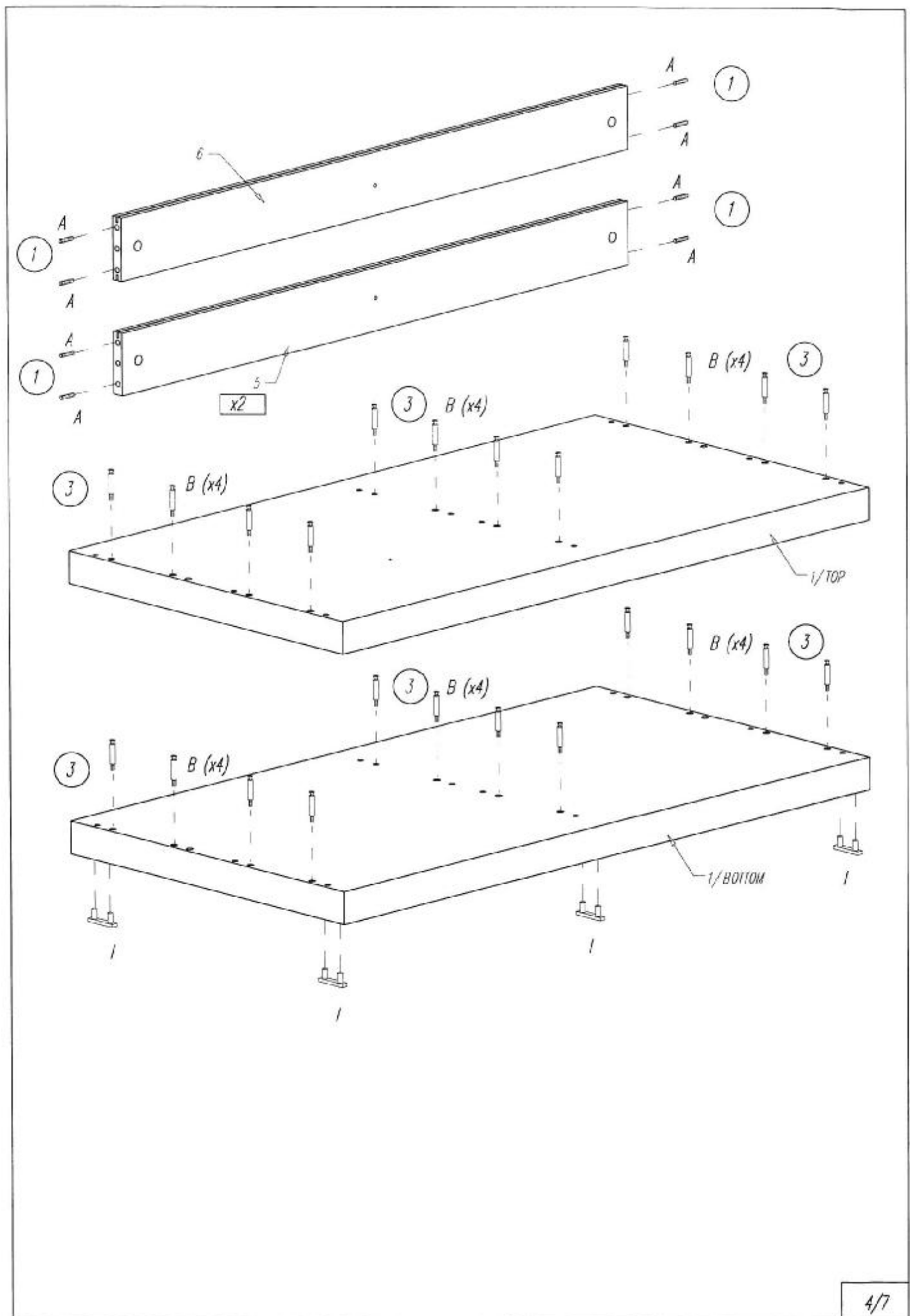
Part no. 1/BOTTOM -1 pcs/St.

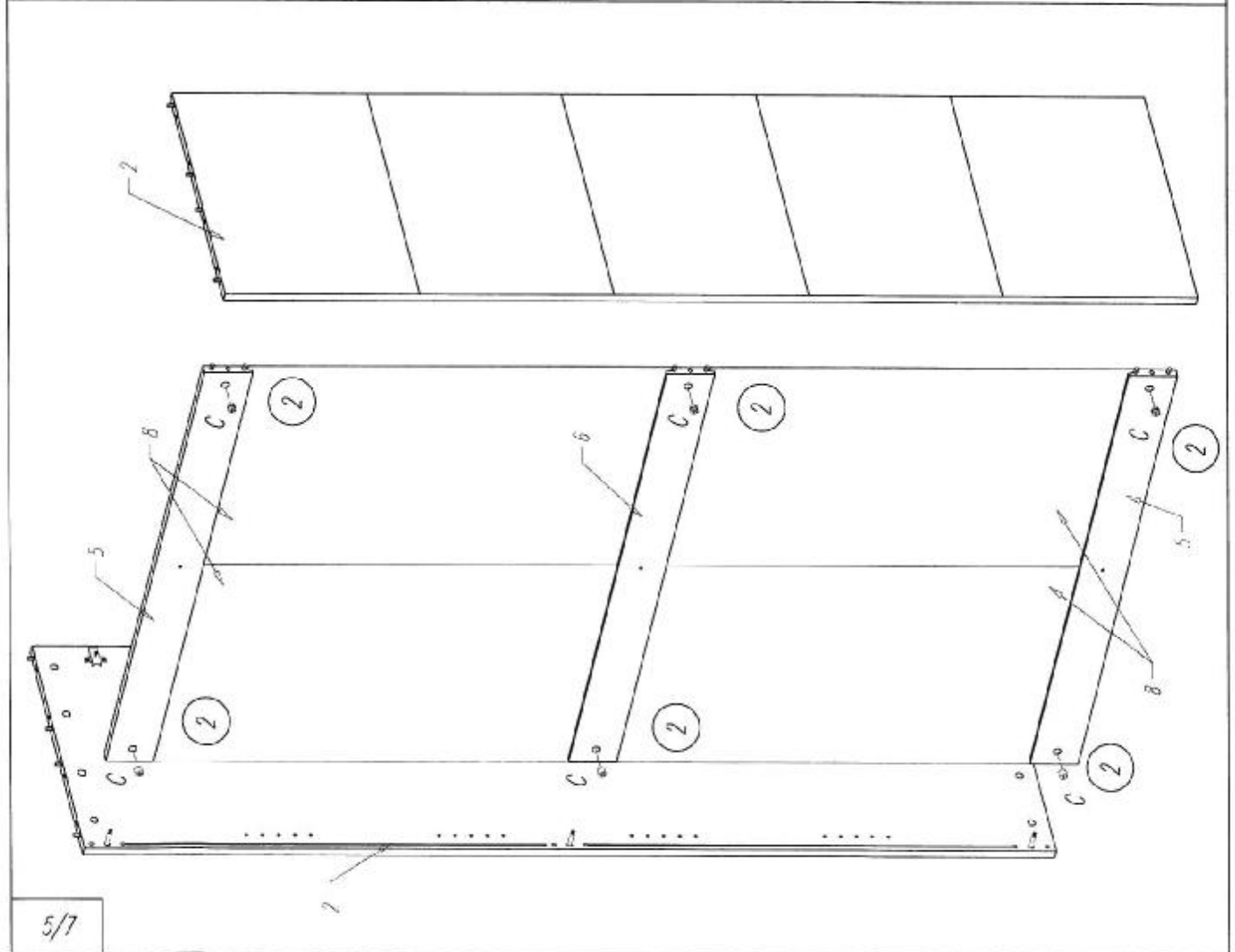
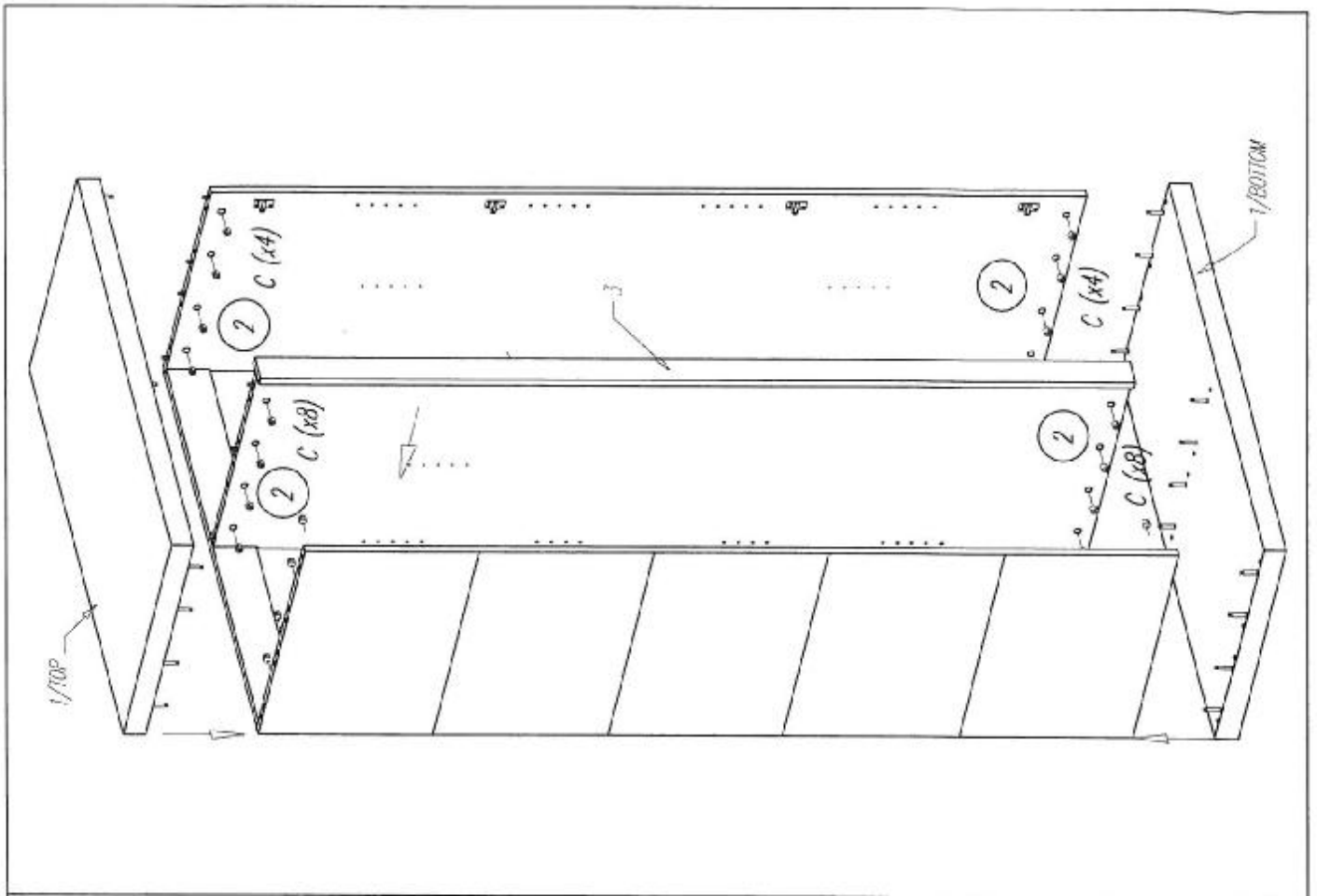
Part no. 5 -2 pcs/St.

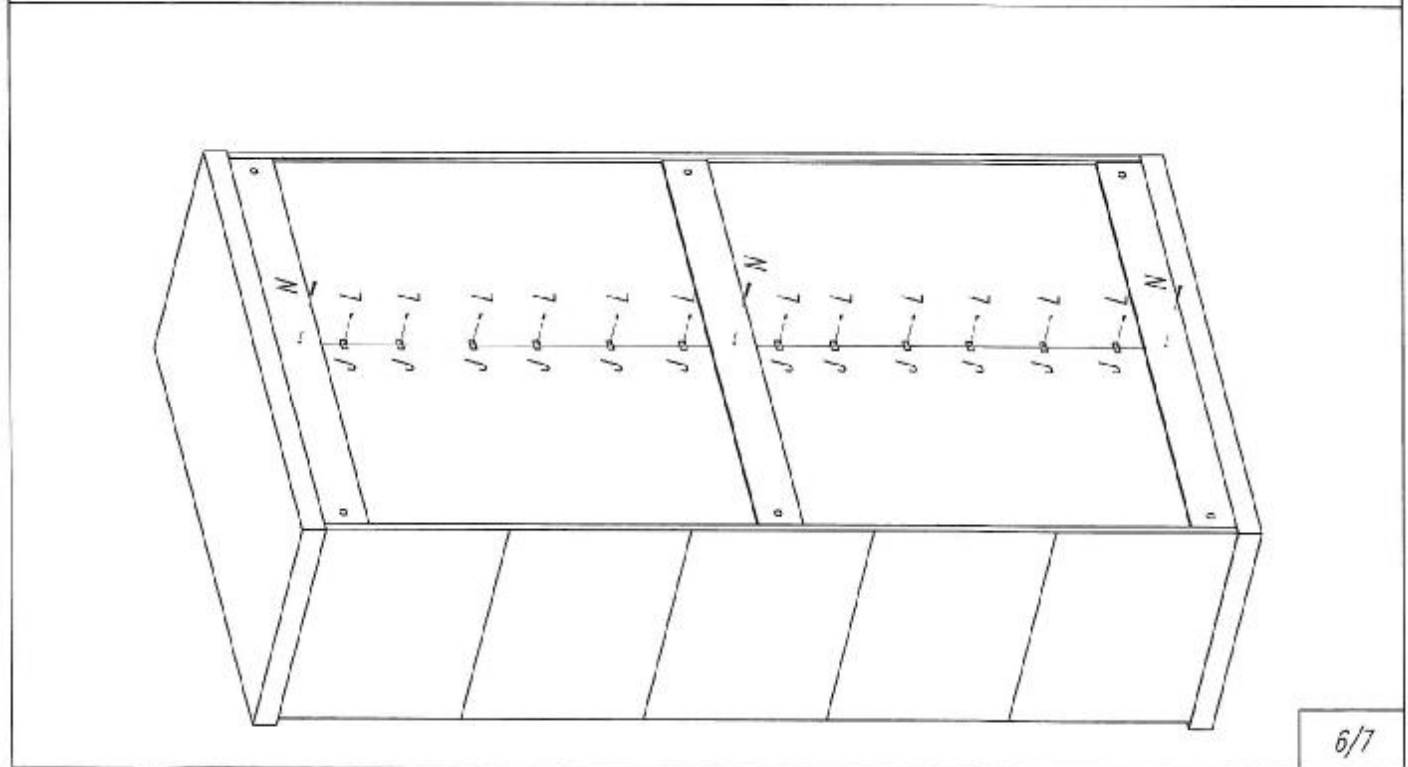
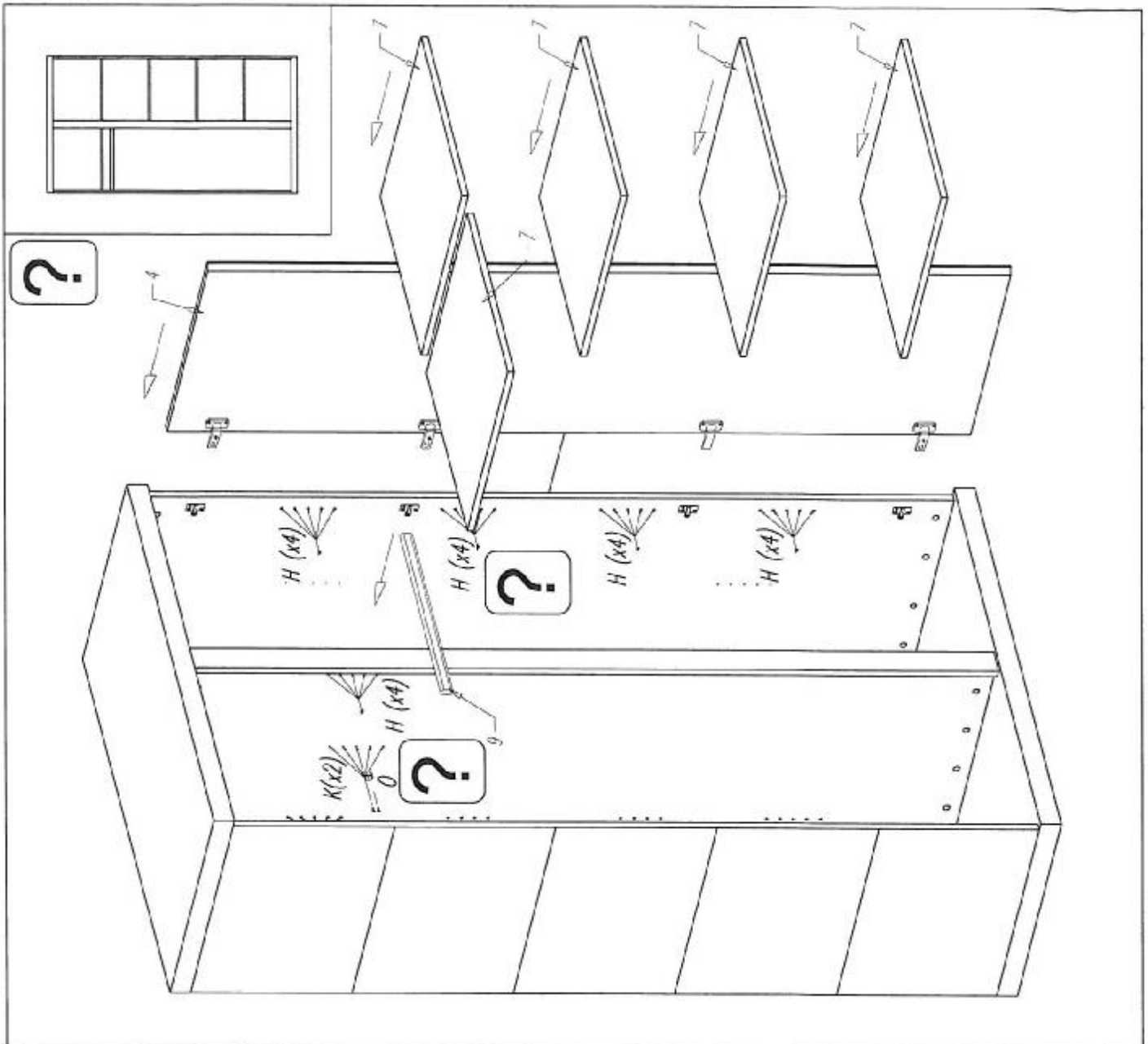
Part no. 7 -4 pcs/St.

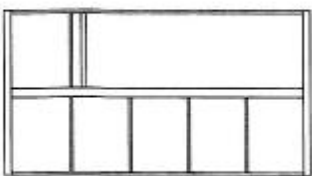
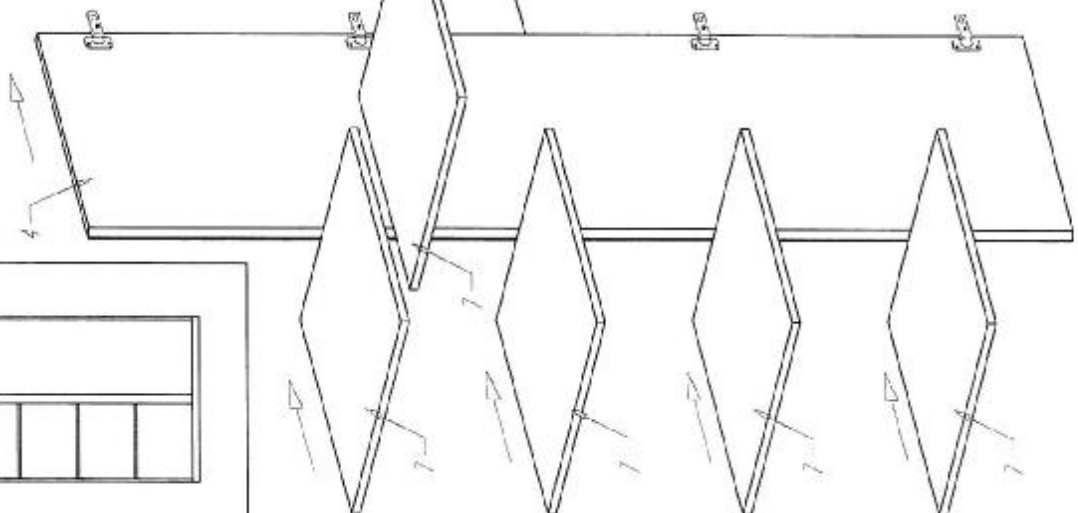
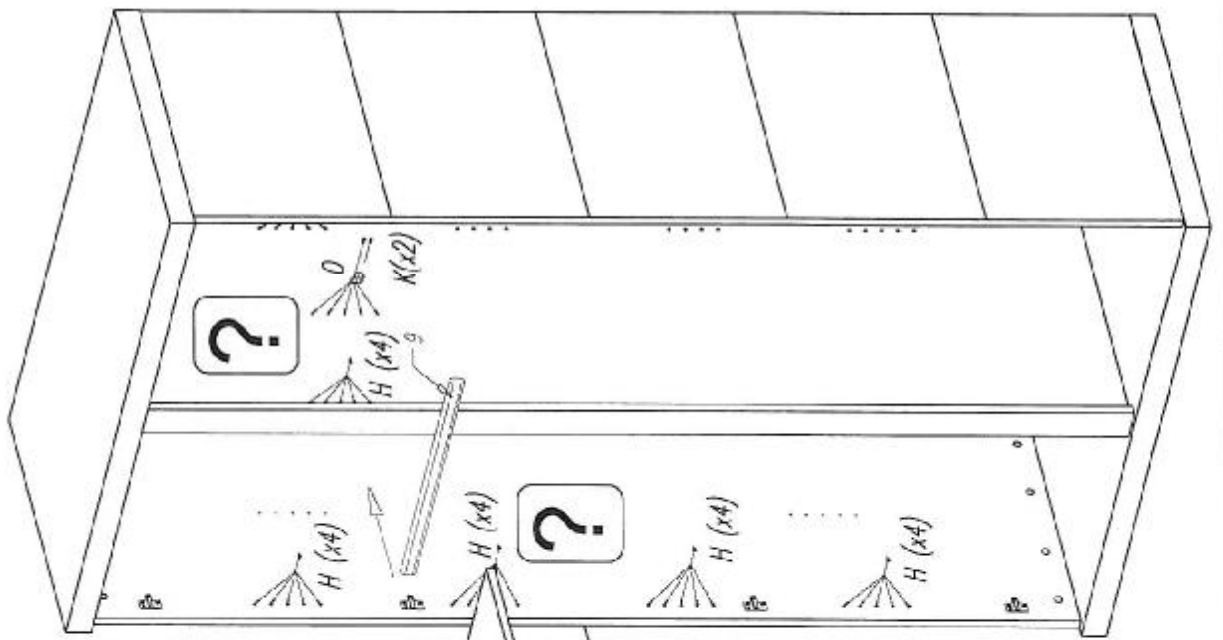
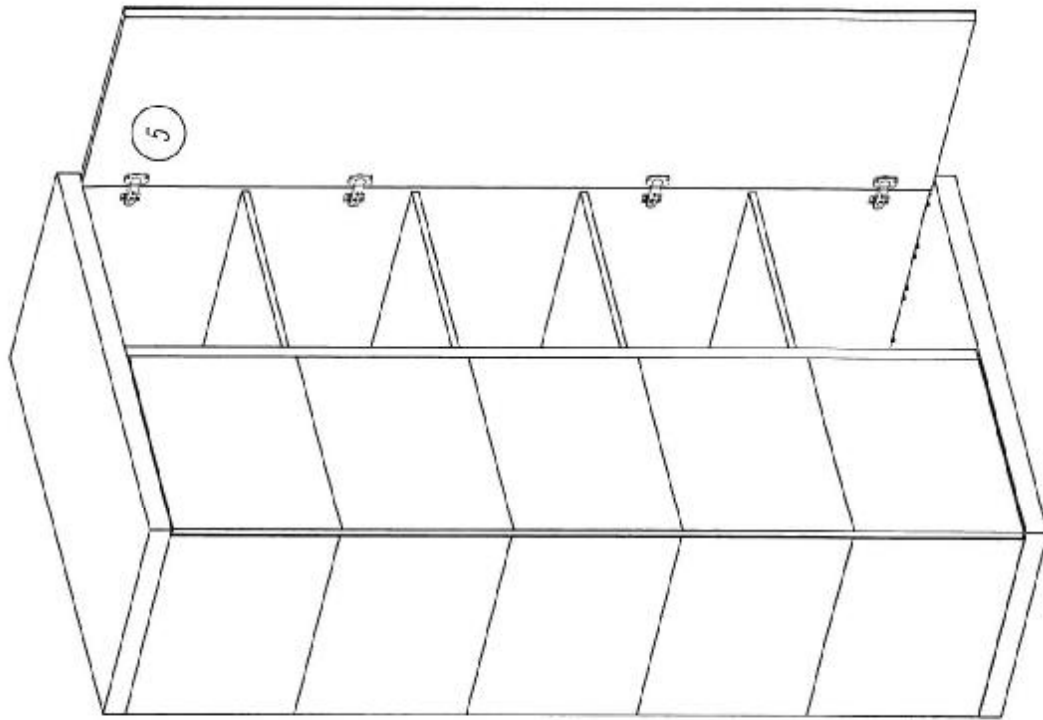


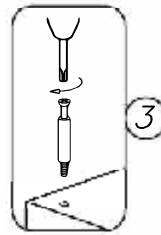
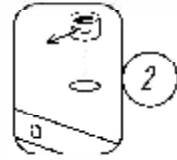
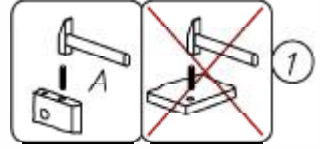
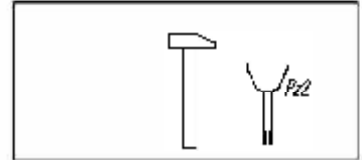
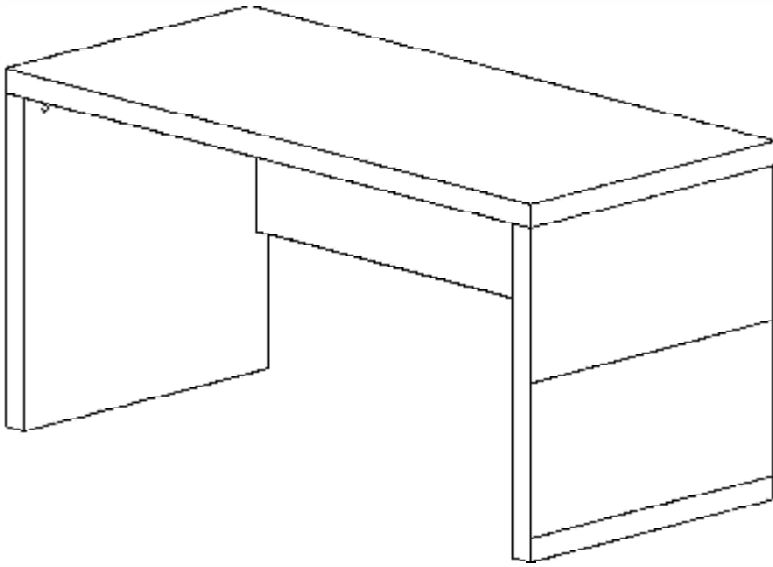












- | | | | | |
|--------------|----------------|------------|-----------|----------|
| A | B | C | D | E |
| | | | | |
| ∅8x40
x14 | L=34/M6
x12 | ∅15
x12 | ∅15
x8 | x4 |

LARA-BUREAU 1/2009

