

A	B	C(mm)		D
1	F27-405	1669	66	15 2/3
2	F27-406	1669	66	15 2/3
3	F27-902	1878	847	2,5 1/3
4	F52-101	1950	549	15 1/3
5	F52-102	1950	520	15 1/3
6	F52-103	1853	421	15 1/3
7	F52-301	827	420	15 2/3
8	F52-302	1669	519	15 2/3
9	F52-303	1669	504	15 2/3
14	dr-821	821	22	15 2/3

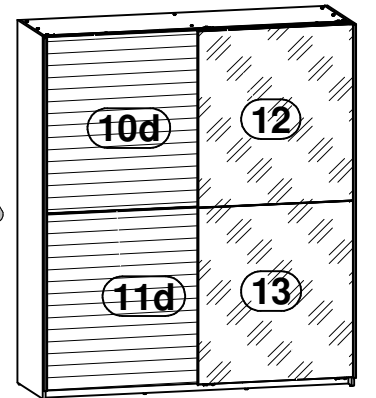
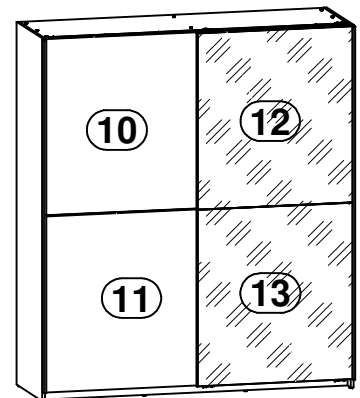
58-031-13

A	B	C(mm)		D
10	F27-507	950	861	15 3/3
11	F27-508	950	861	15 3/3
12	F27-017	861	950	15 3/3
13	F27-018	861	950	15 3/3

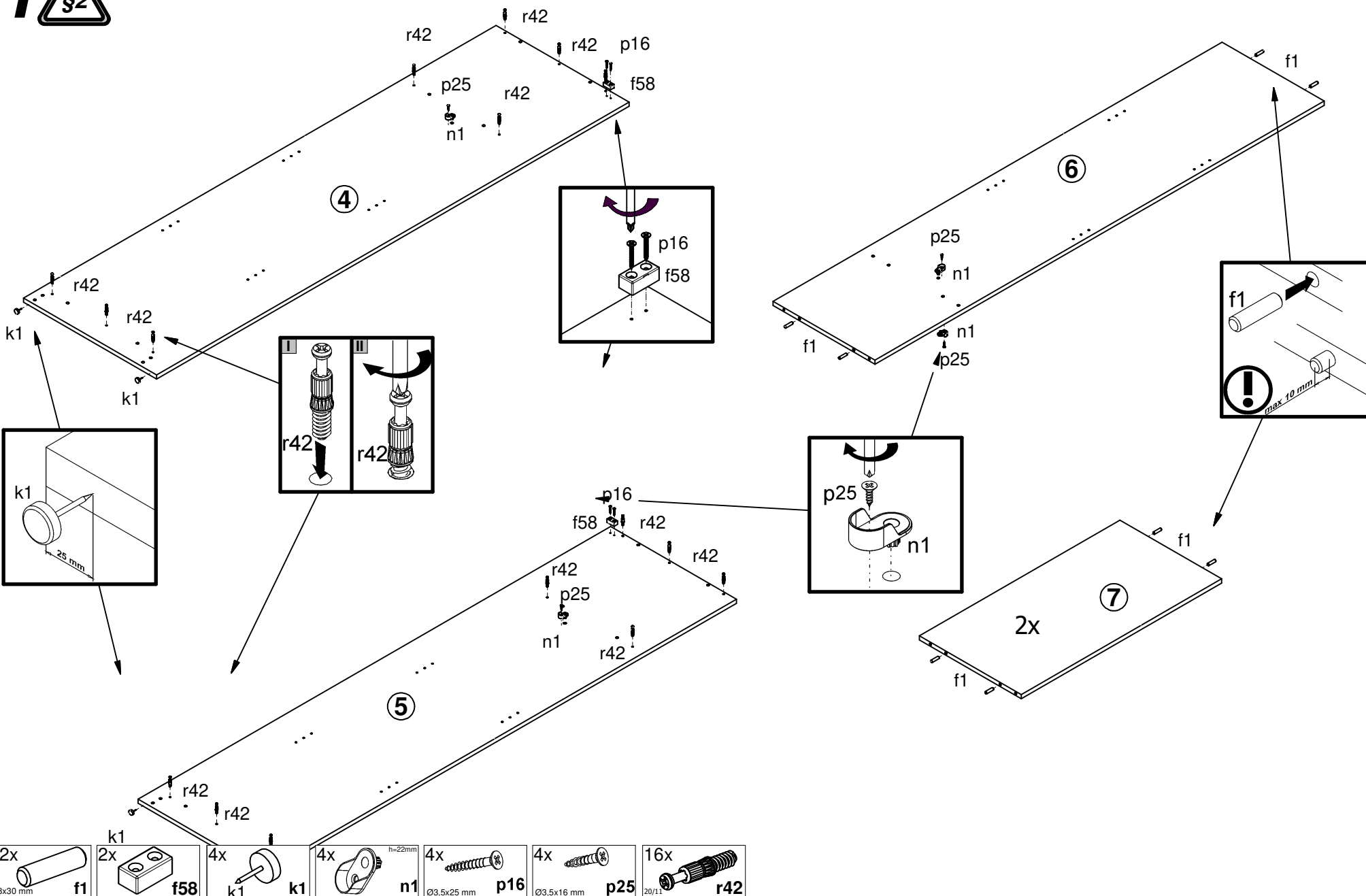


58-031-66

A	B	C(mm)		D
10d	F27-587	861	950	15 3/3
11d	F27-588	861	950	15 3/3
12	F27-017	861	950	15 3/3
13	F27-018	861	950	15 3/3

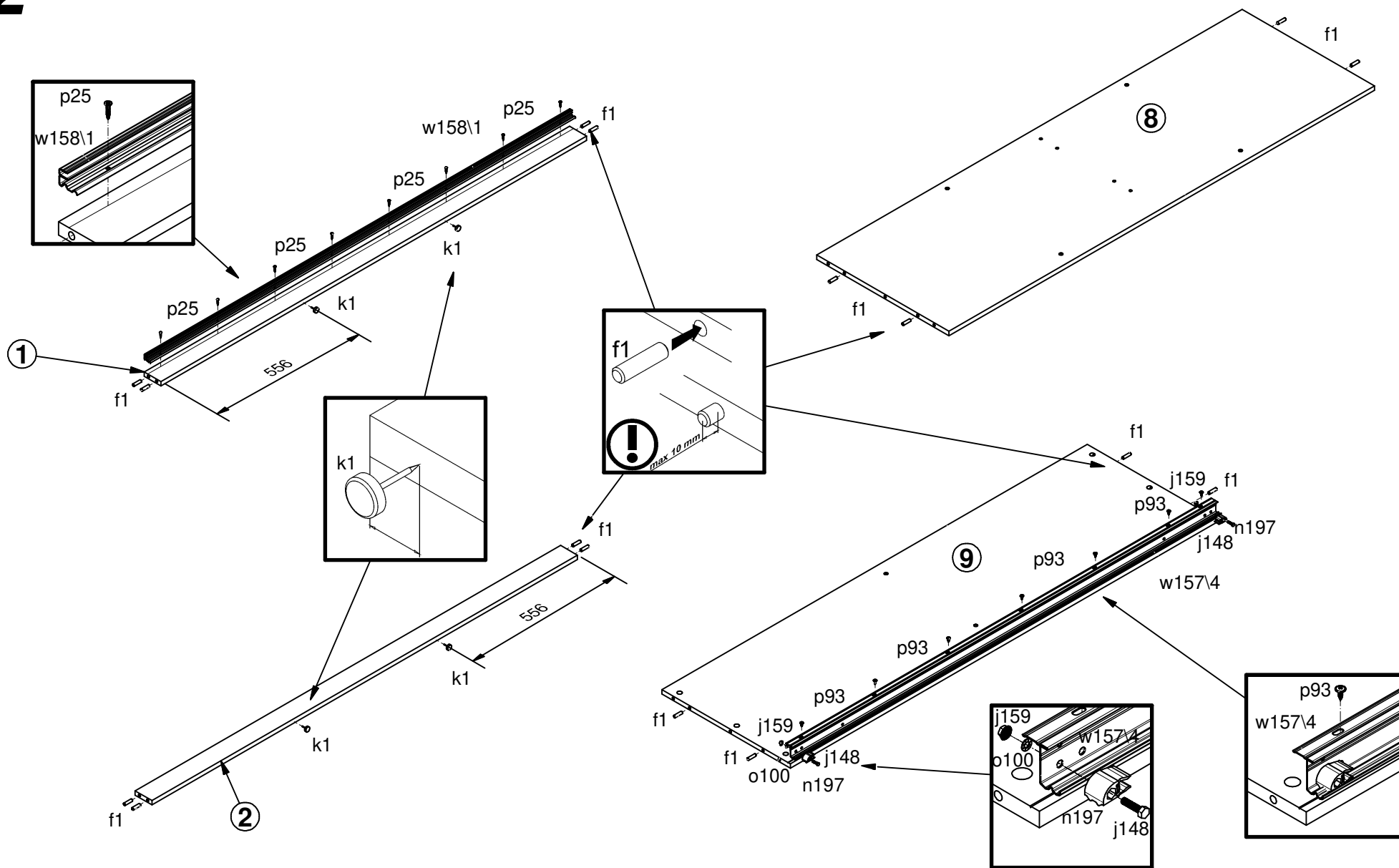


8x Ø7x50 mm e1	28x Ø8x30 mm f1	2x Ø10x50 mm f35	2x f58	2x M5x20 mm j148	2x M5 j159	8x k1	85x 1.4x20 mm l1	4x h=22mm n1	9x 22x9.5x20.7 mm n108	2x n195	1x n196	2x n197	2x n198	2x n199	4x n76	2x Ø5x210 o100	4x Ø3.5x25 mm p16	2x Ø5x60 mm p17	20 Ø4x15mm p146	13x Ø3.5x16 mm p25	79x Ø4x13 mm p93	20x Ø15x12 mm #16 r1	2x r10	16x 20/11 r42	2x L=1900 mm w118\3	2x L=1900 mm w118\4	1x L=1668 mm w157\4	1x L=1668 mm w158\4	2x n142	2x n194	4x Ø3.5x16 mm p38	9x Ø2.9x16 mm p55



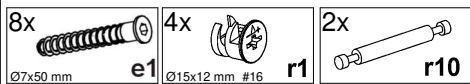
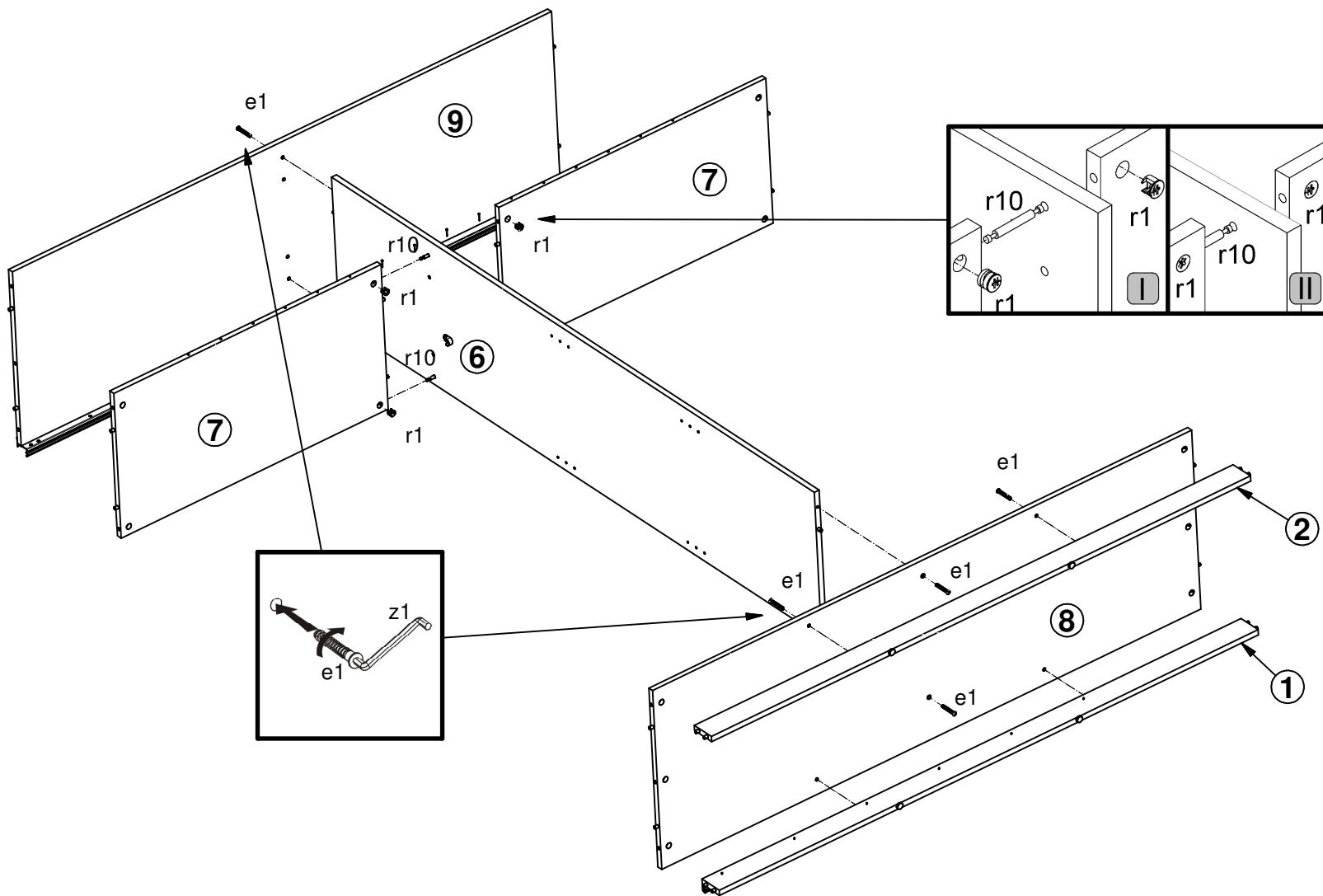
- 12x f1 2x f58 4x k1 4x n1 4x p16 4x p25 16x r42

2

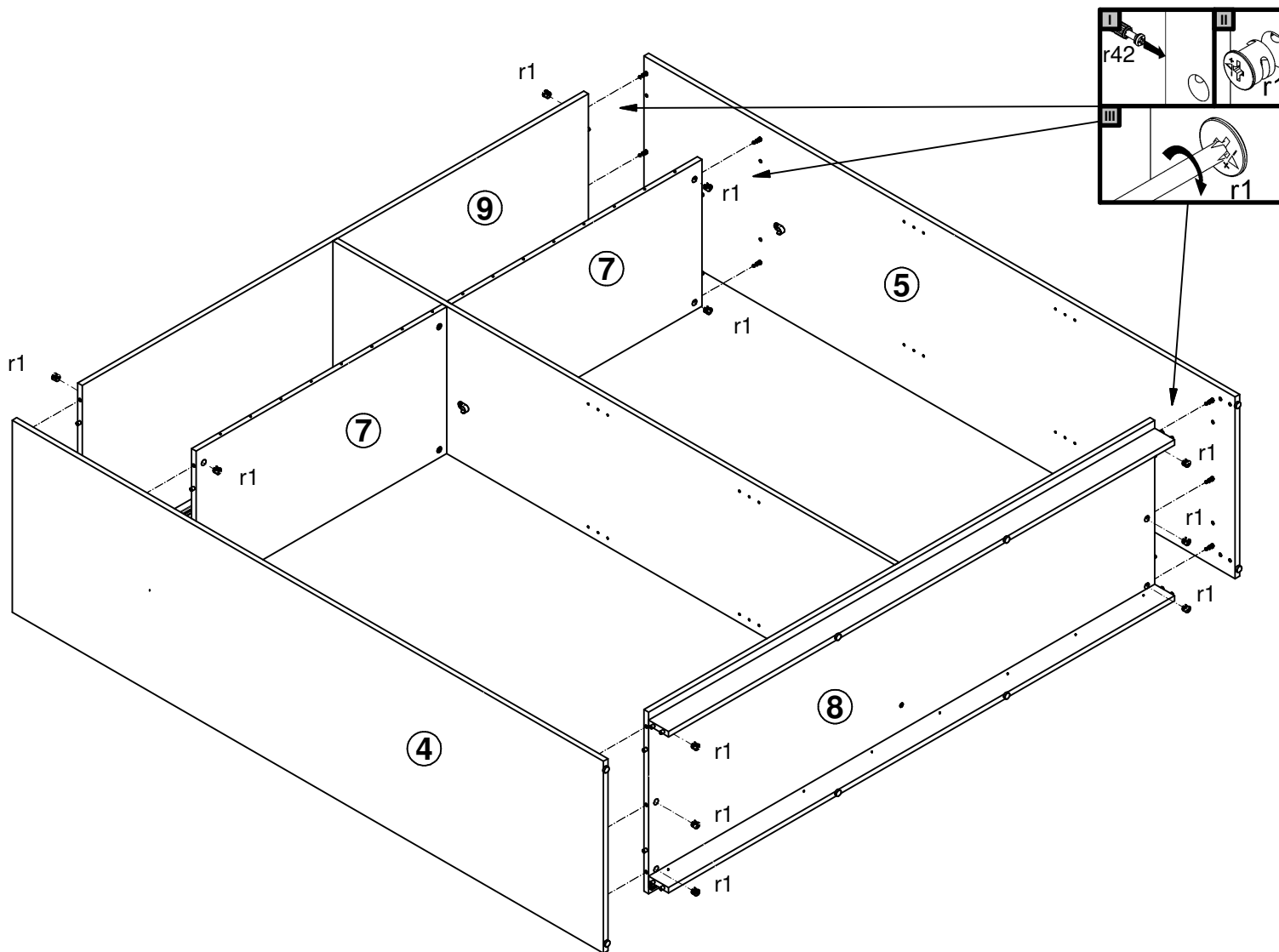


- | | | | | | | | | | |
|-----------------------|----------|------------|------------------------|------------------|----------------------|-------------------------|-----------------------|---------------------------|--------------------------|
| 16x
Ø8x30 mm
f1 | 4x
k1 | 2x
n197 | 2x
M5x20 mm
j148 | 2x
M5
j159 | 2x
Ø5xØ10
o100 | 8x
Ø3.5x16 mm
p25 | 7x
Ø4x13 mm
p93 | 1x
L-1668 mm
w157\4 | 1x
L-1668mm
w158\4 |
|-----------------------|----------|------------|------------------------|------------------|----------------------|-------------------------|-----------------------|---------------------------|--------------------------|

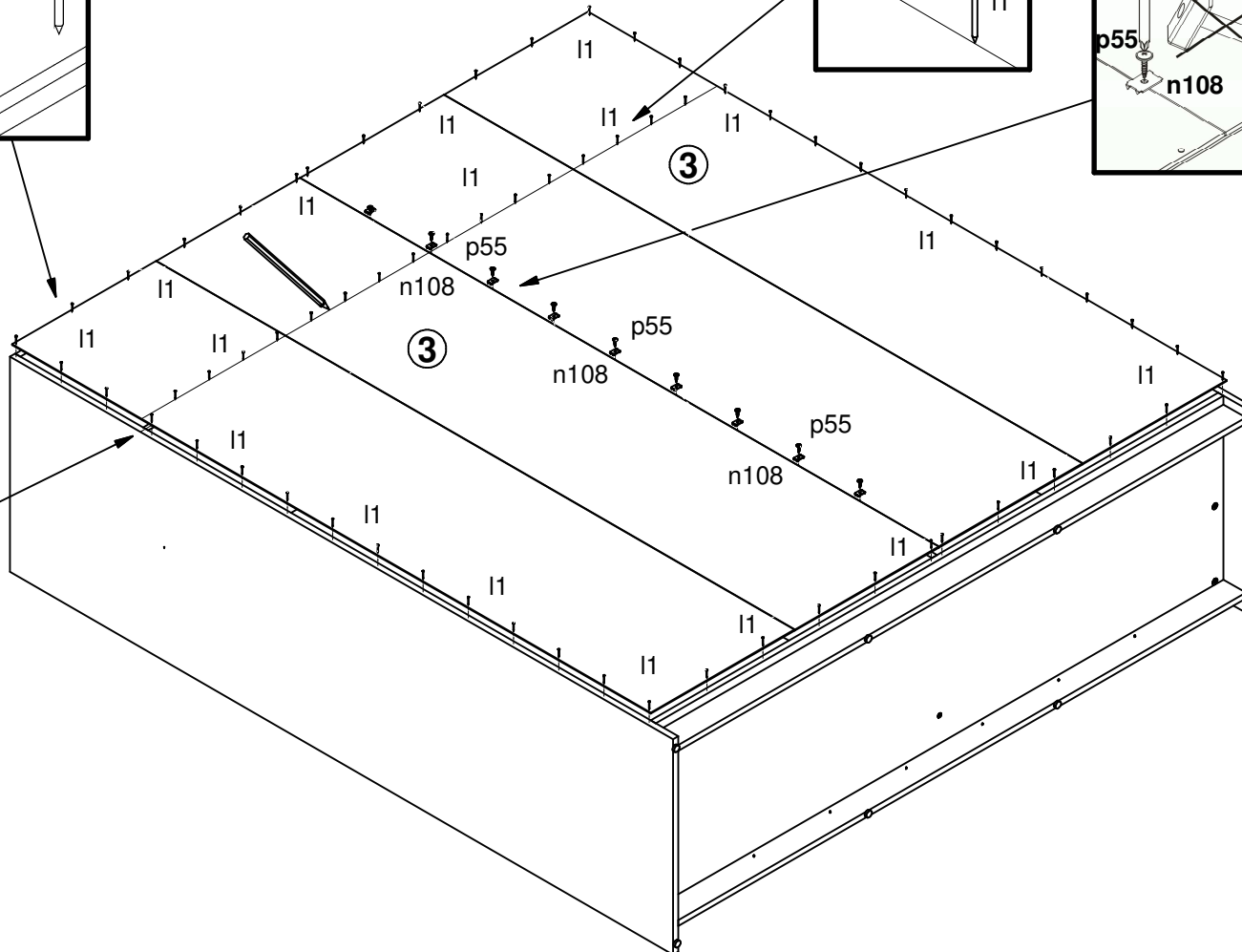
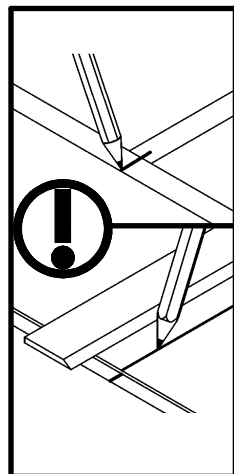
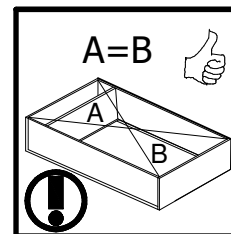
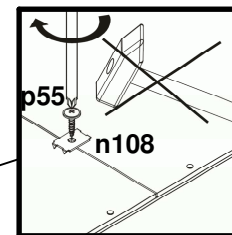
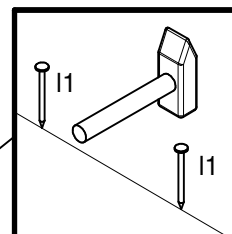
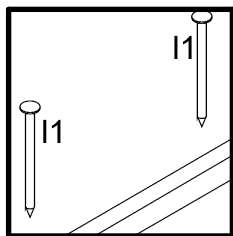
3




4

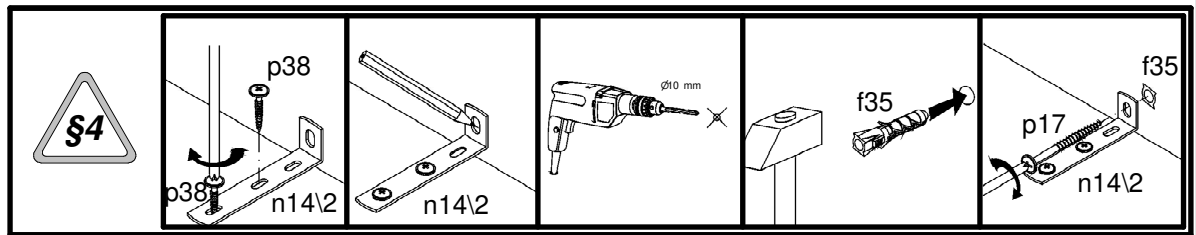
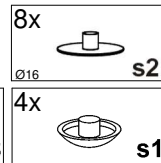
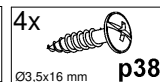
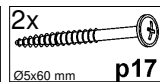
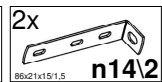
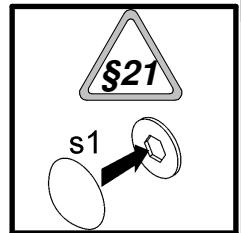
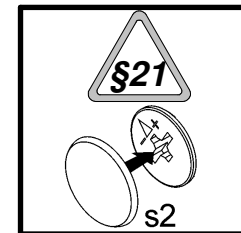
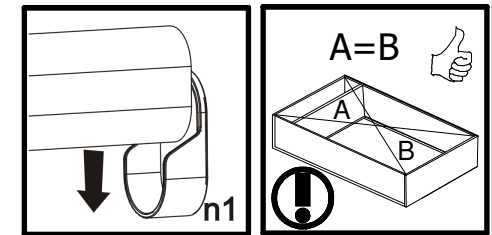
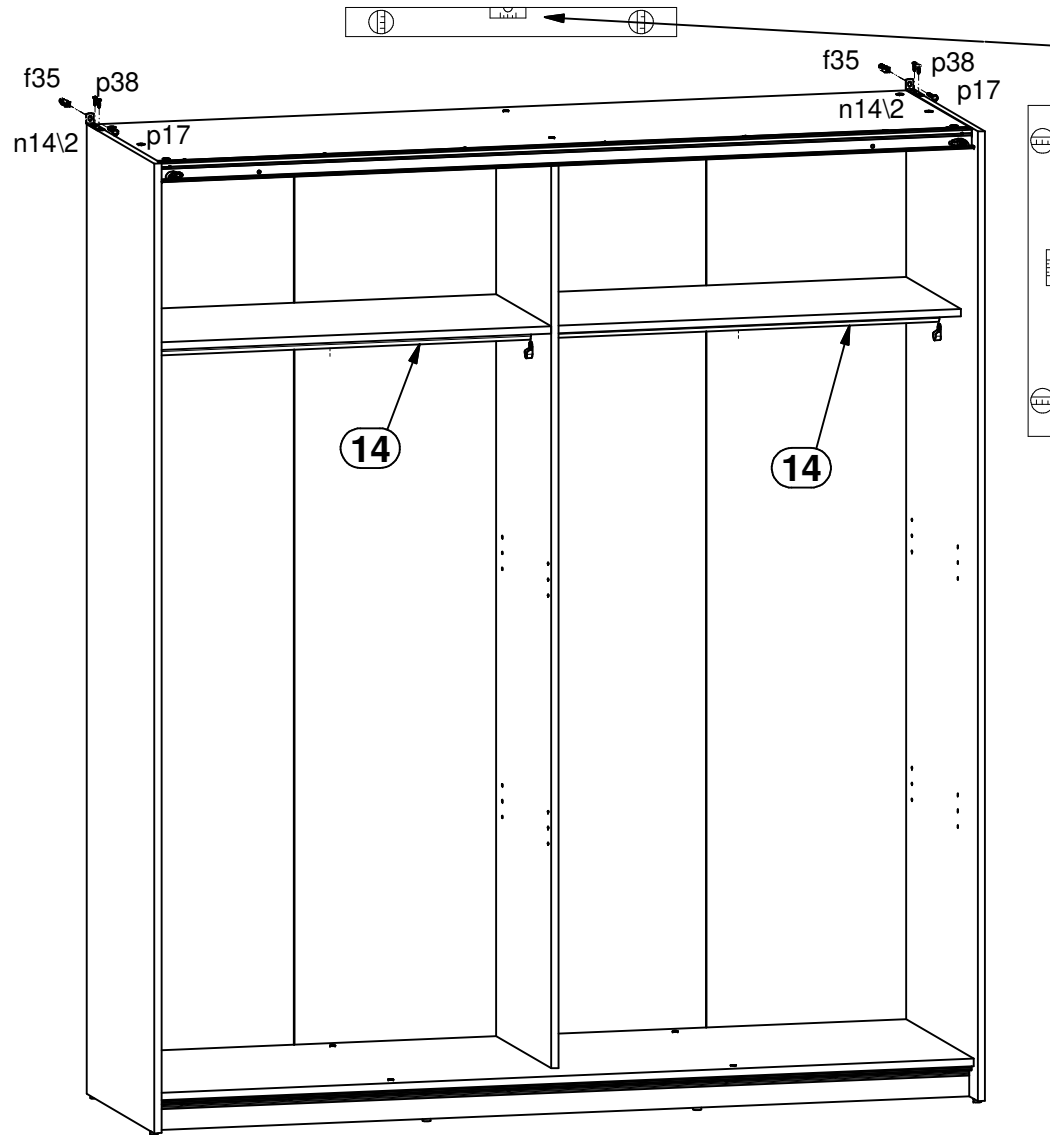


5

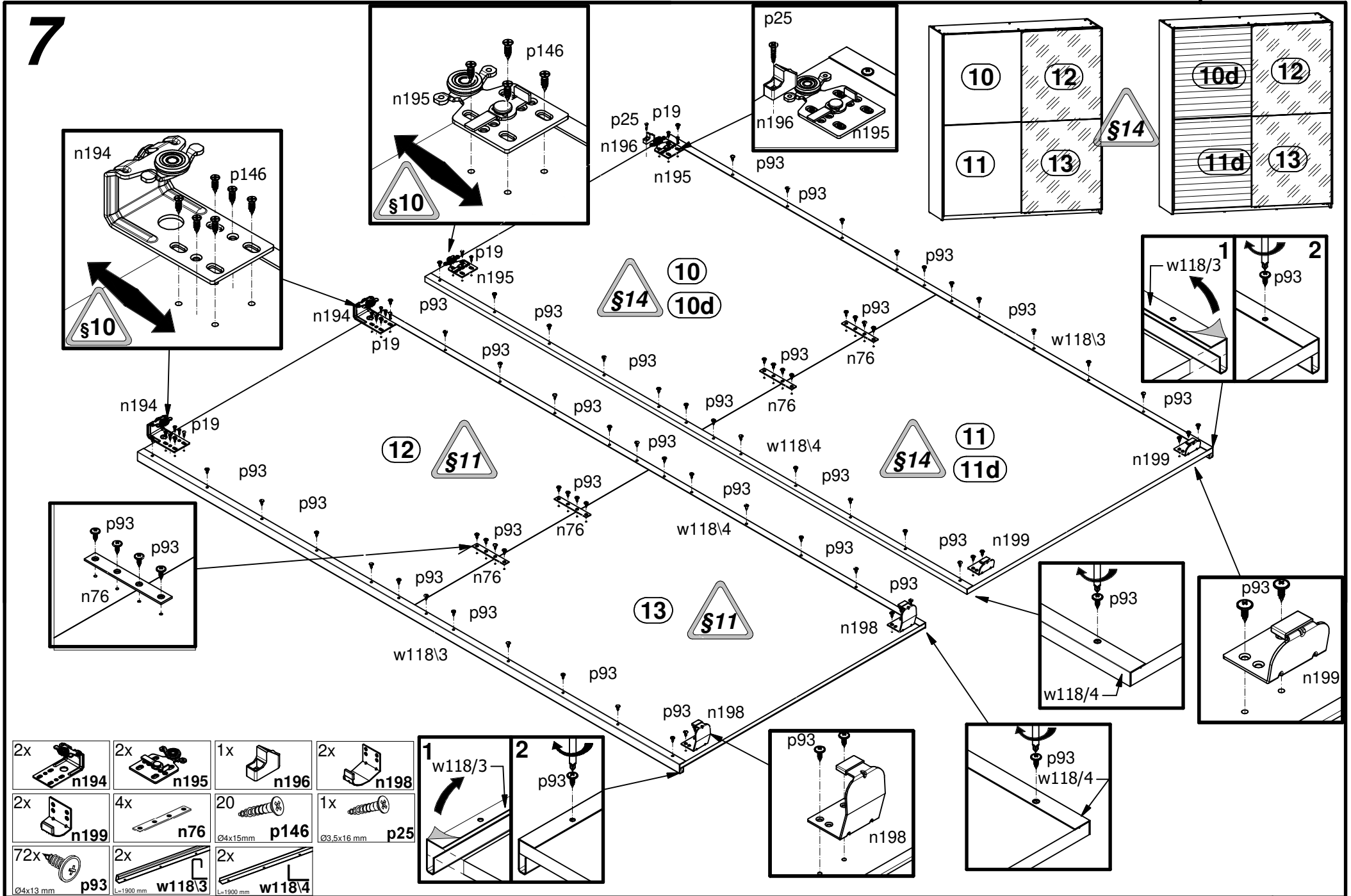


- 85x  l1
1.4x20 mm
- 9x  n108
22x9,5x20,7 mm
- 9x  p55
Ø2,9x16 mm

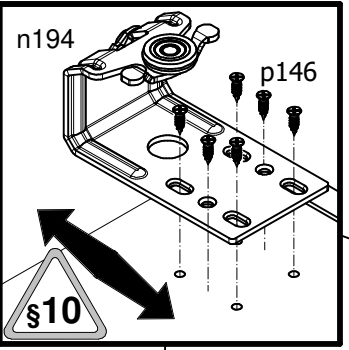
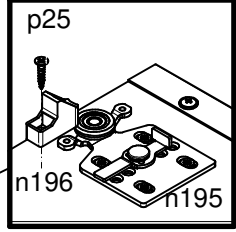
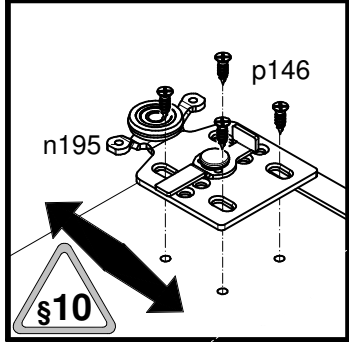
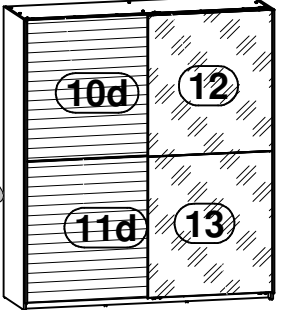
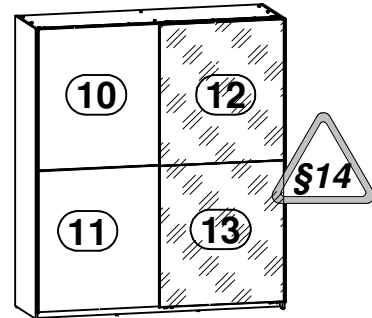
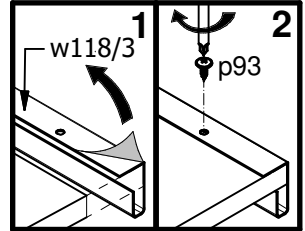
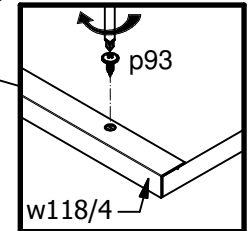
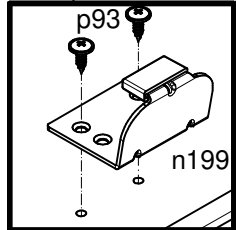
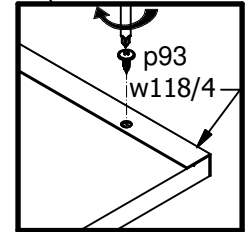
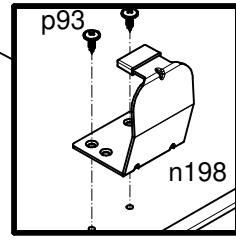
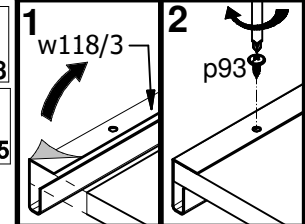
6



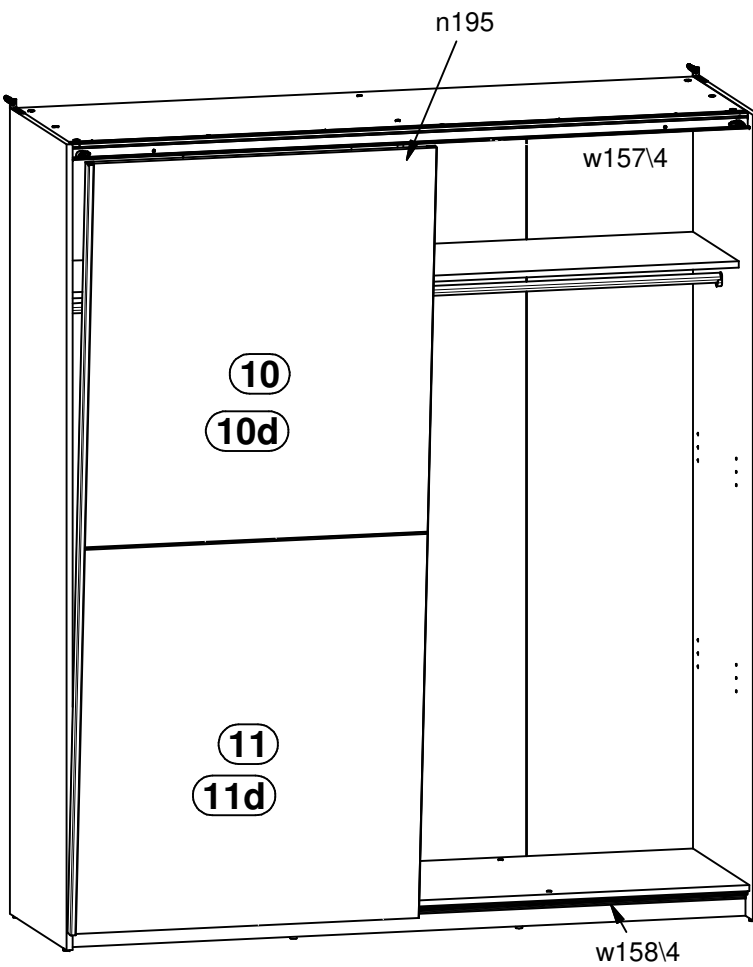
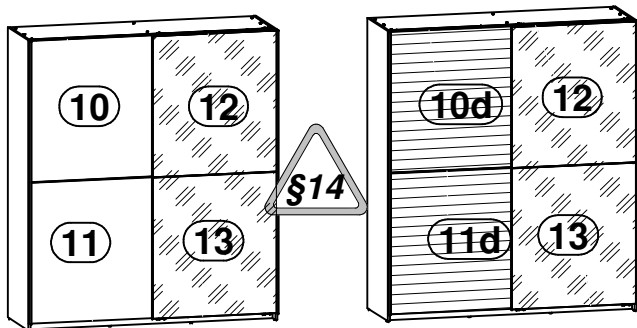
7



- 2x n194
- 2x n195
- 1x n196
- 2x n198
- 2x n199
- 4x n76
- 20 p146 (Ø4x15mm)
- 1x p25 (Ø3.5x16 mm)
- 72x p93 (Ø4x13 mm)
- 2x w118/3 (L=1900 mm)
- 2x w118/4 (L=1900 mm)



8



9

