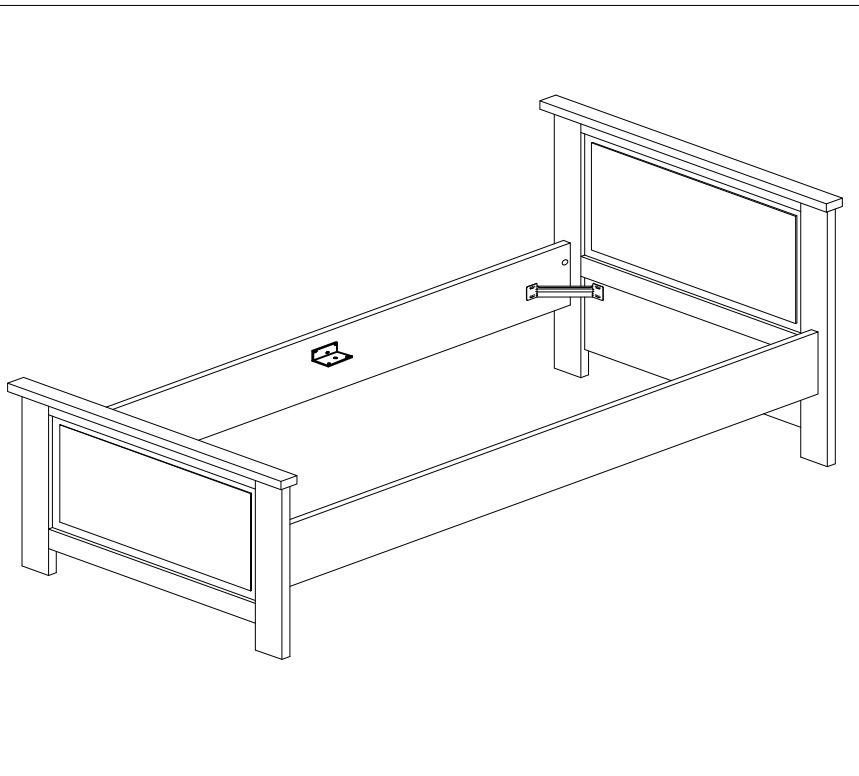


ASSEMBLY INSTRUCTION

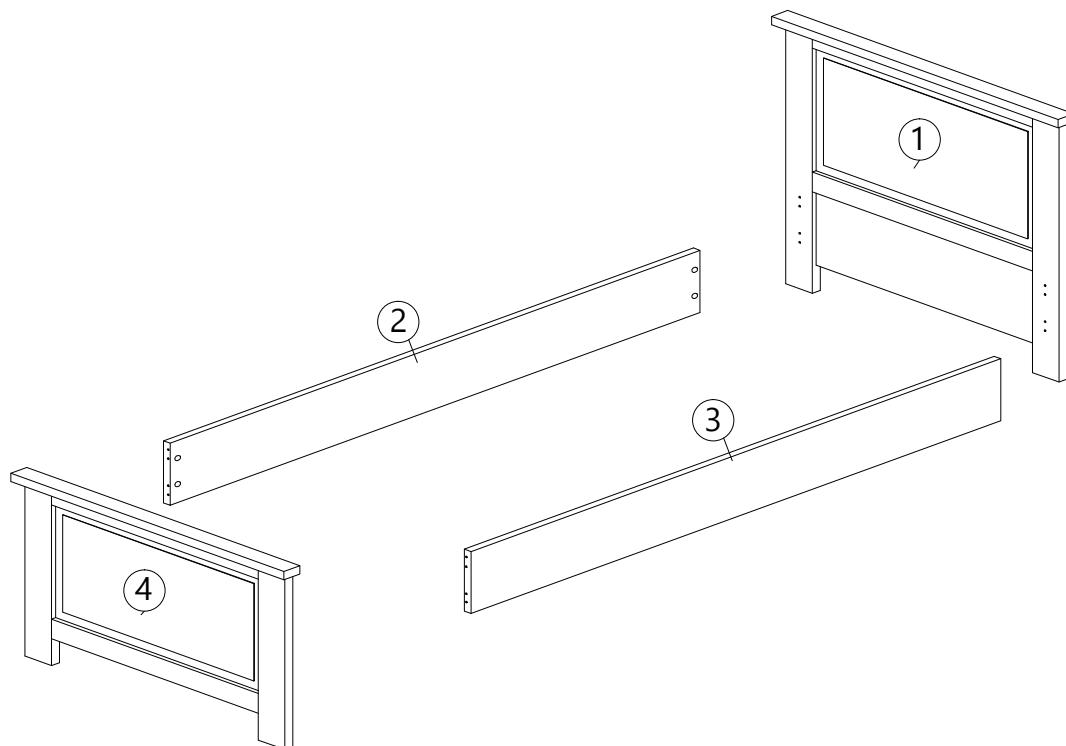
BED 35-3679C-S5V - EMMA BED LIT-90

- ~ Before assembly, please read the instructions ~
- ~ Keep these instructions for future reference ~
- ~ Follow these steps to assemble the product ~

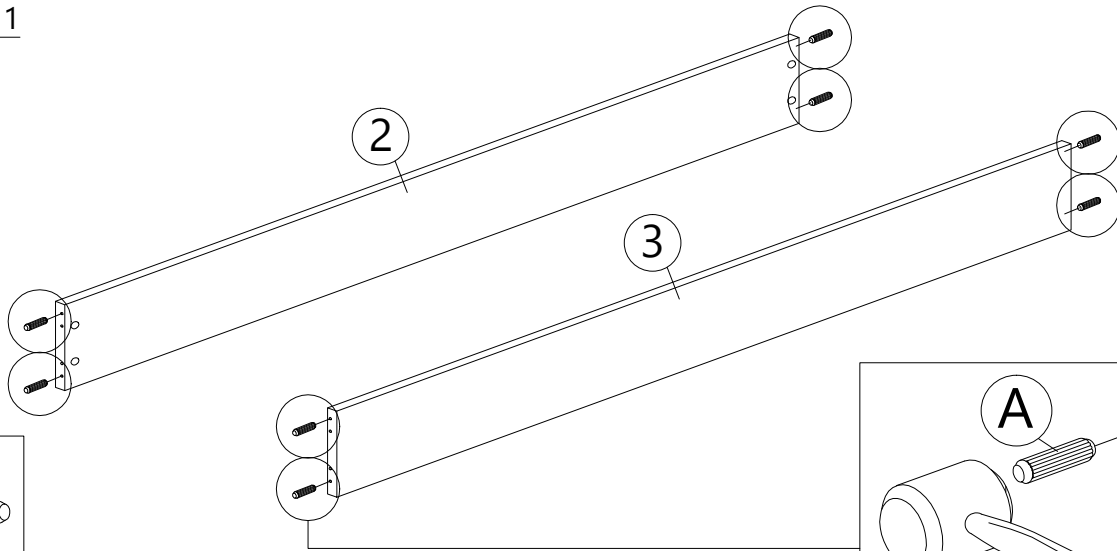


HARDWARE	A	B	C	D
	PLASTIC DOWEL 8X25 8pcs	16MM CB SCREW M3.5X16 20pcs	60MM JCBC BOLT M6X60 4pcs	BARREL NUT 4pcs
E	F F1 F2		G	
PLASTIC PIN 4pcs	703 SCREW BED BRACKET 2sets		RECTANGULAR BED BRACKET 4pcs	
H	I	J	K K1 K2	
SCREW M8X12 16pcs	3" X 3" L- BRACKET 2pcs	ALLEN KEY 1pc	MINIFIX 5654 4sets	

PART LIST



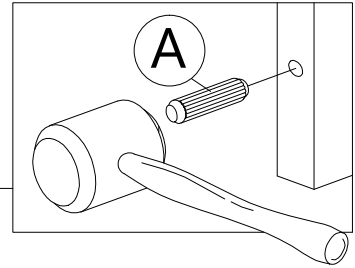
Step 1



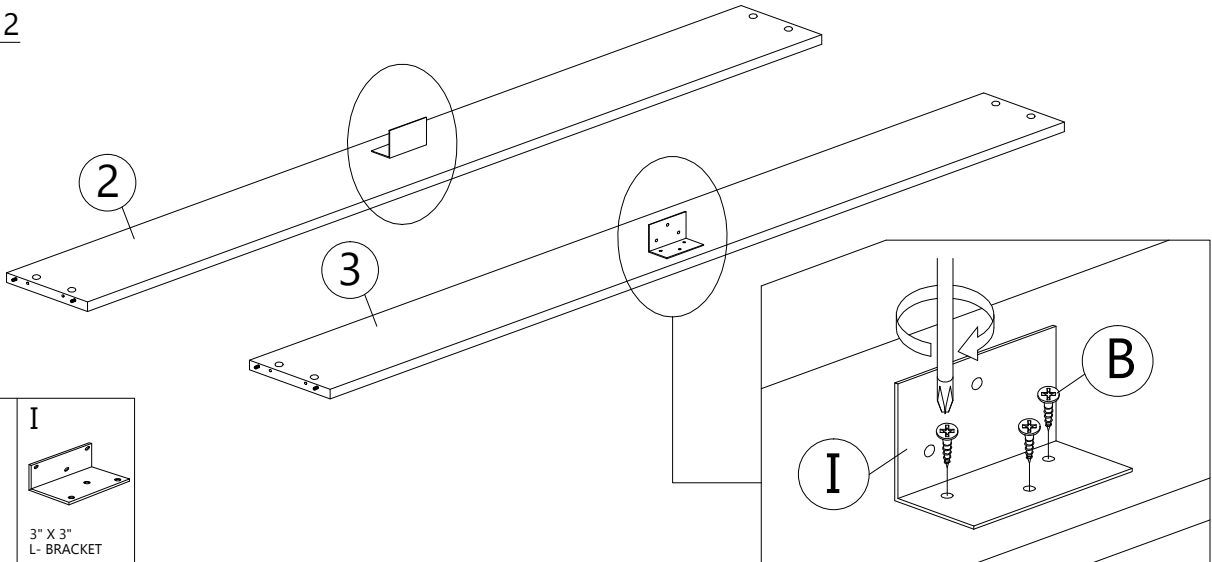
A



PLASTIC
DOWEL
8X25
8pcs



Step 2

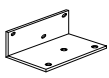


B

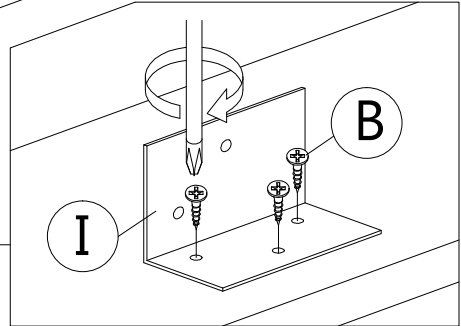


CB
SCREW
M3.5X16
6pcs

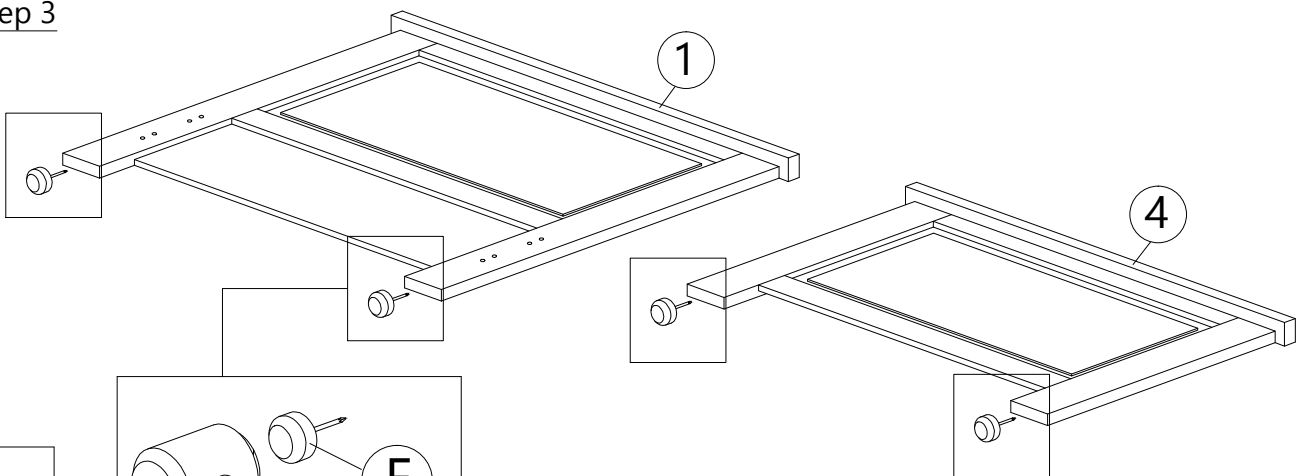
I



3" X 3"
L-BRACKET
2pcs



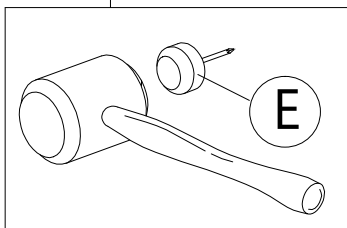
Step 3



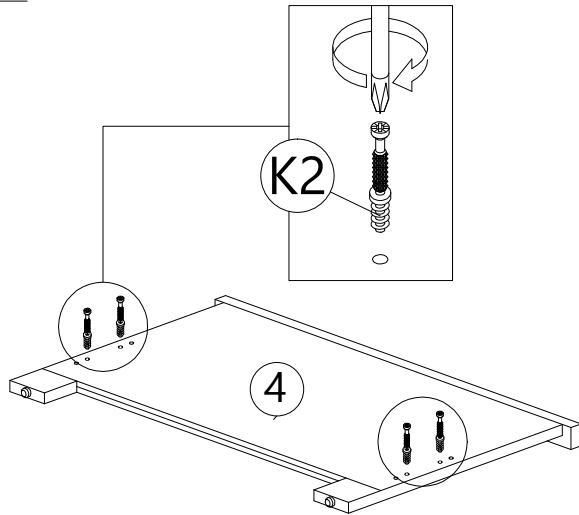
E



PLASTIC PIN
4pcs



Step 4



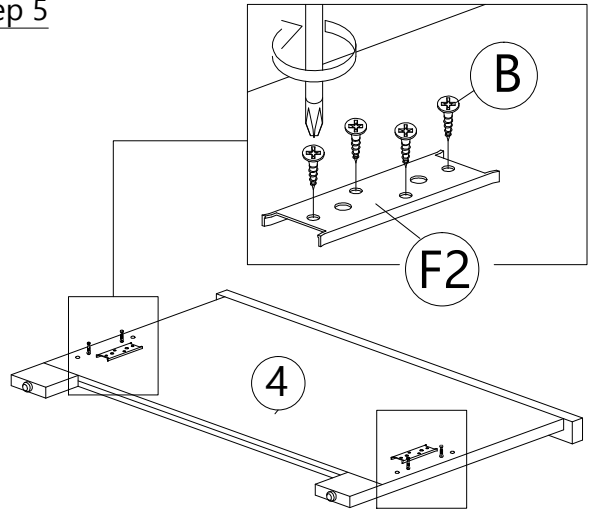
K2



MINIFIX 5654
(SCREW)

4pcs

Step 5



B



CB SCREW
M3.5X16

8pcs

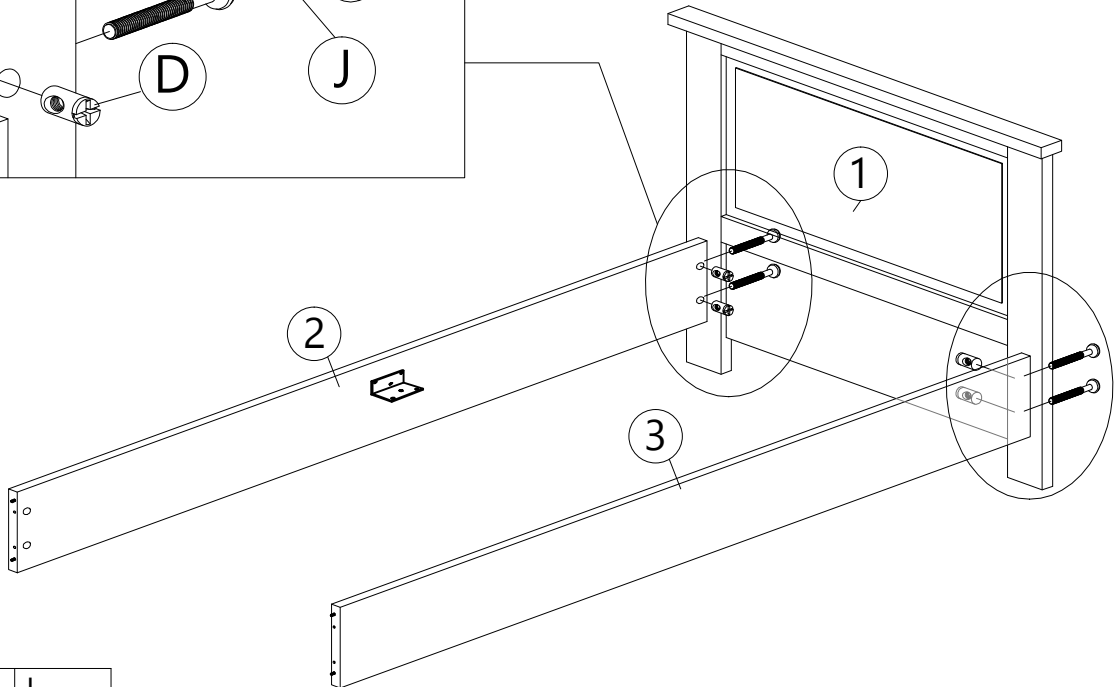
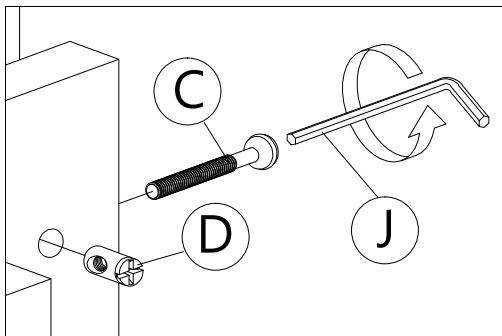
F2



703 SCREW
BED HINGES

2pcs

Step 6



C



JCB BOLT
M6X60

4pcs

D



BARREL
NUT

4pcs

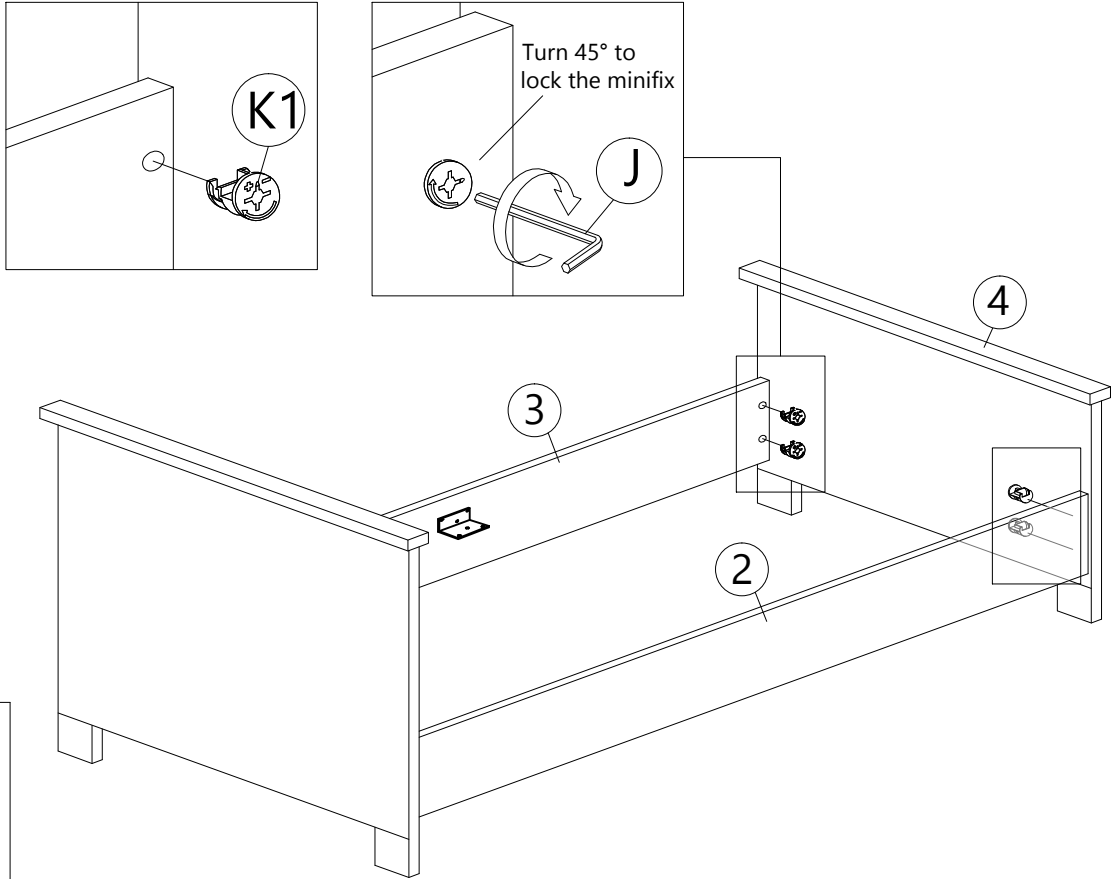
J





ALLEN KEY

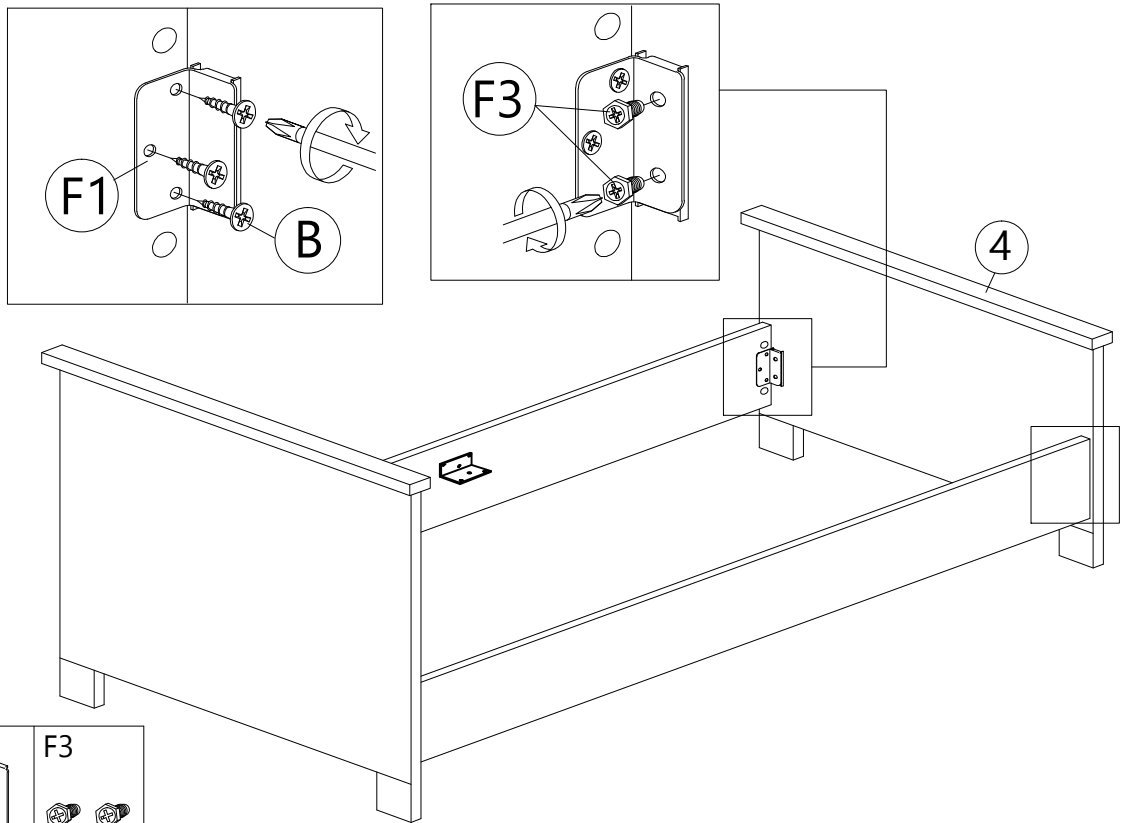
1pc

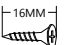
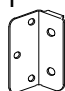

Step 7



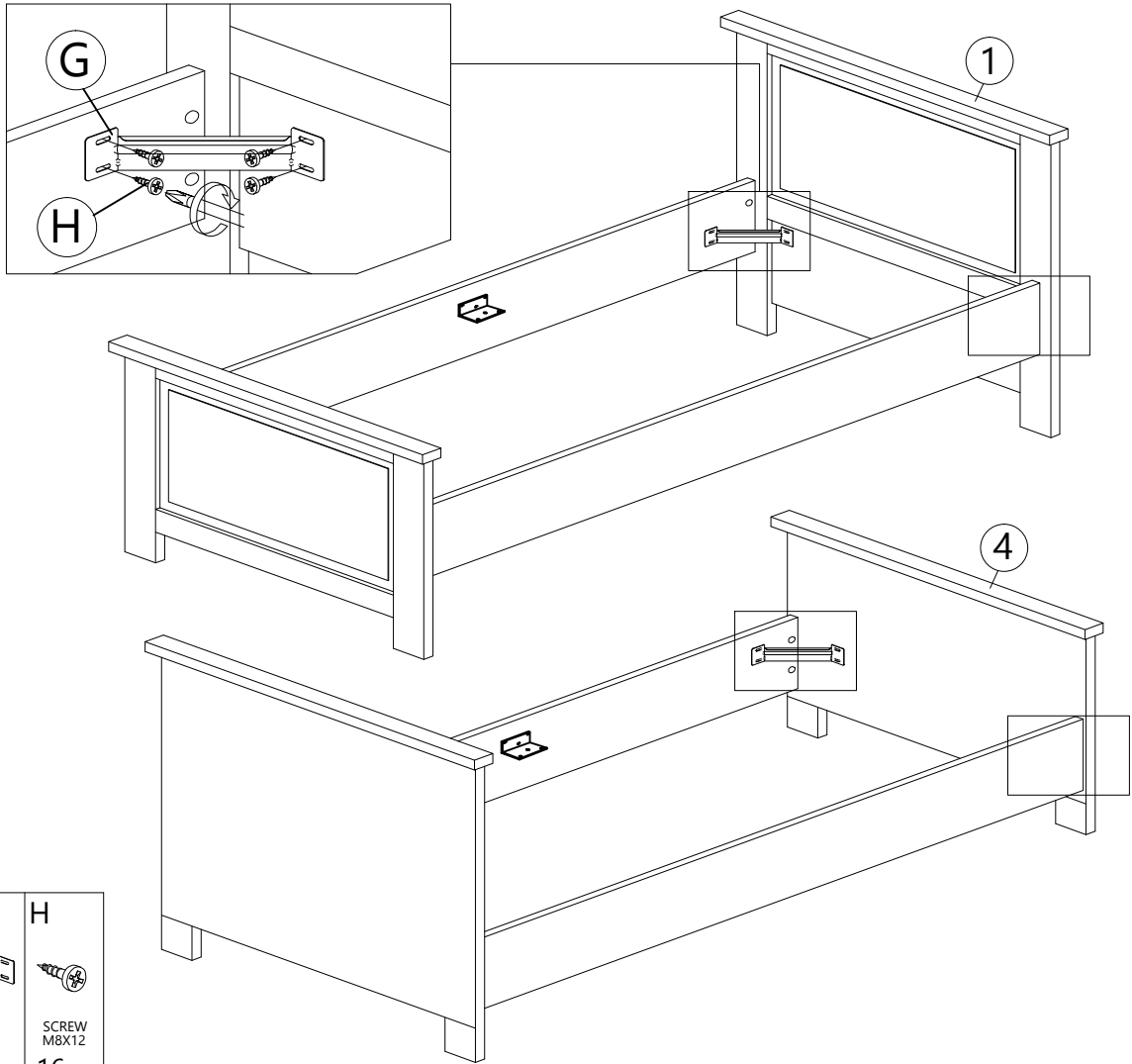
<p>K1</p>  <p>MINIFIX 5654 (HOUSING)</p> <p>4pcs</p>	<p>J</p>  <p>ALLEN KEY</p> <p>1pc</p>
---	--

Step 8



<p>B</p>  <p>16MM</p> <p>CB SCREW M3.5X16</p> <p>6pcs</p>	<p>F1</p>  <p>703 SCREW BED BRACKET</p> <p>2pcs</p>	<p>F3</p>  <p>703 BED BRACKET BOLT</p> <p>4pcs</p>
---	---	--

Step 9



Completed

