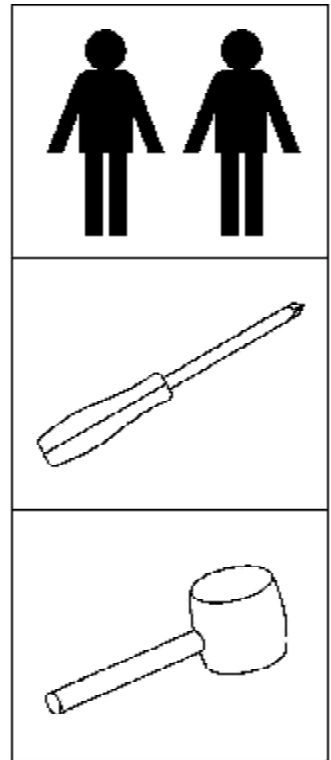
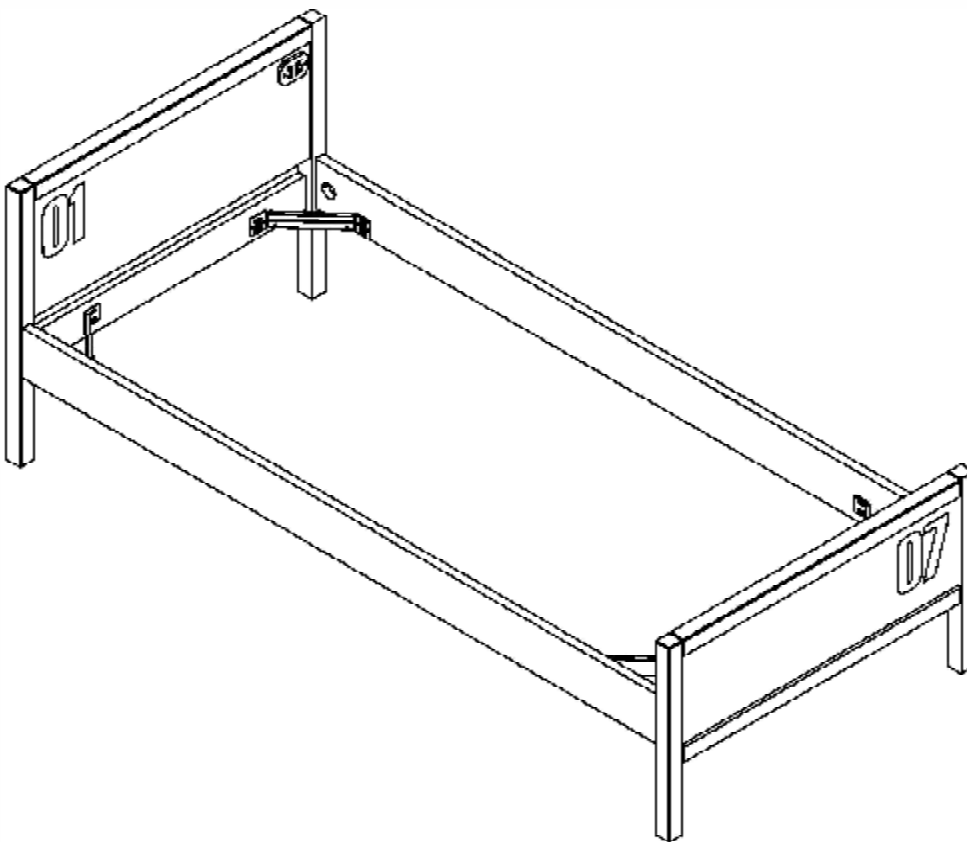
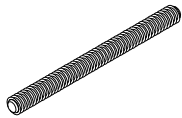
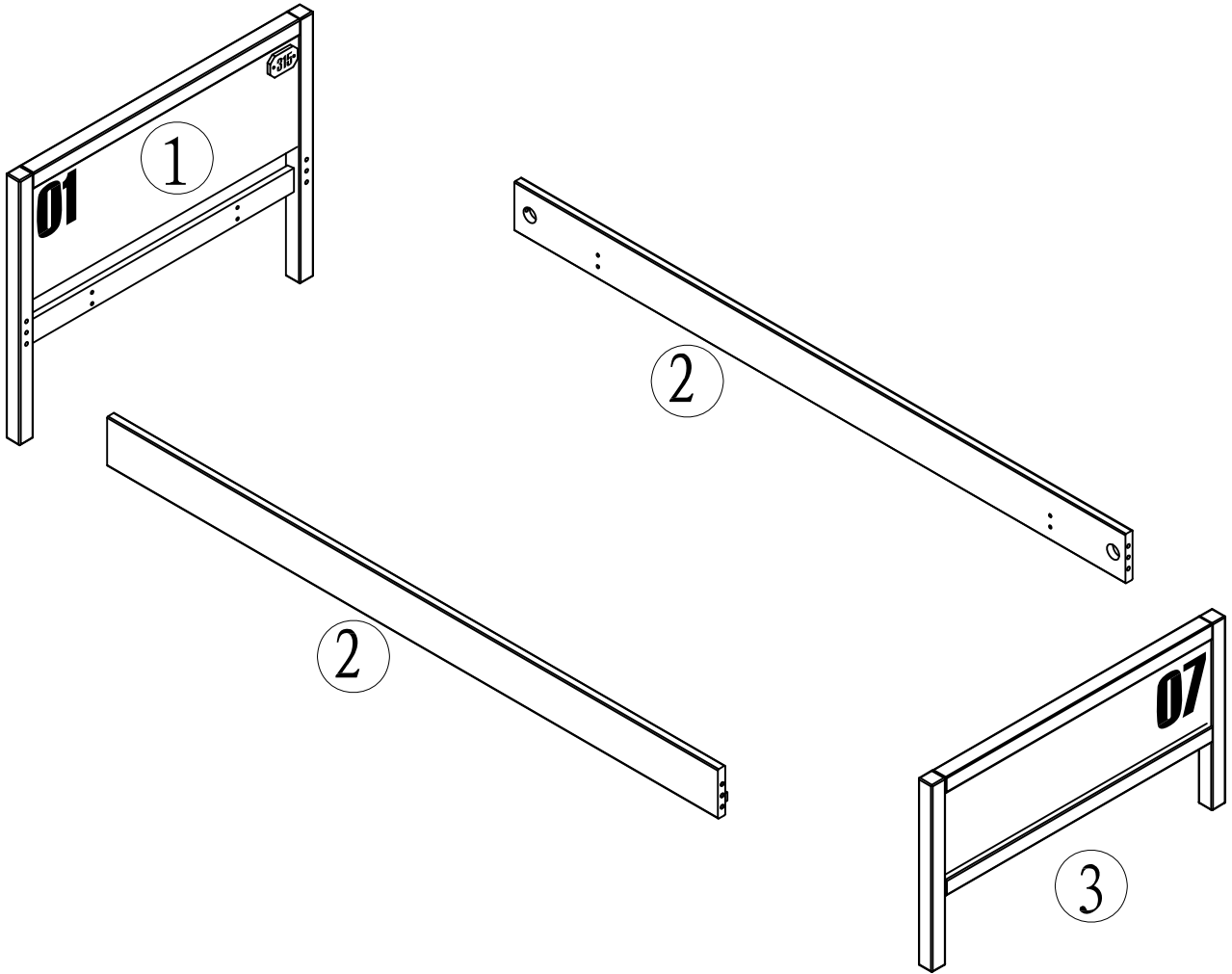


AXBE9019

**MONTAGE AANWIJZING
NOTICE DE MONTAGE
MONTAGE ANLEITUNG
ASSEMBLY INSTRUCTIONS**



BA00288-1



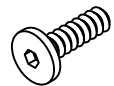
A*4



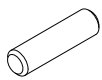
B*4



C*4



D*16



E*8
(D10*40)



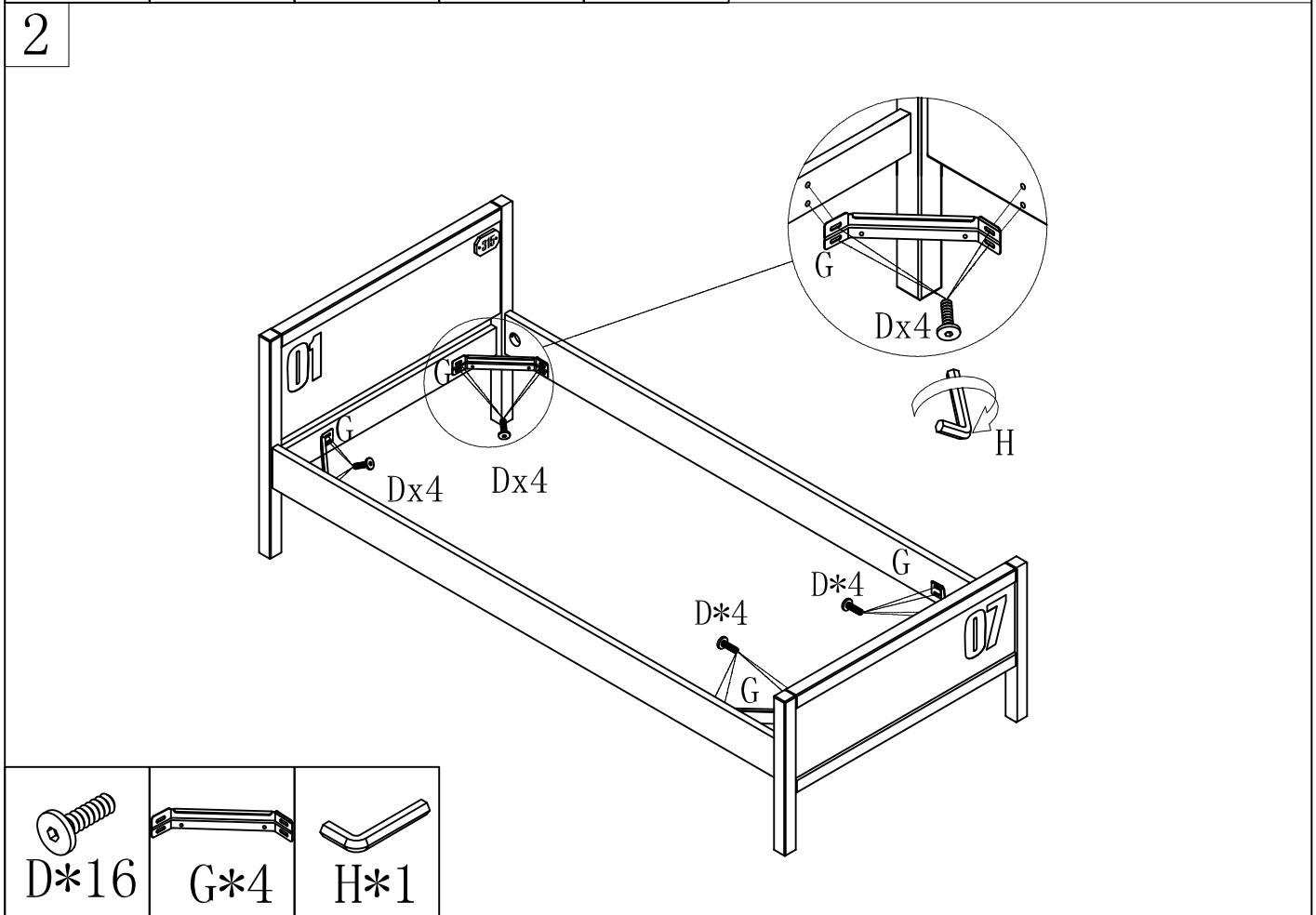
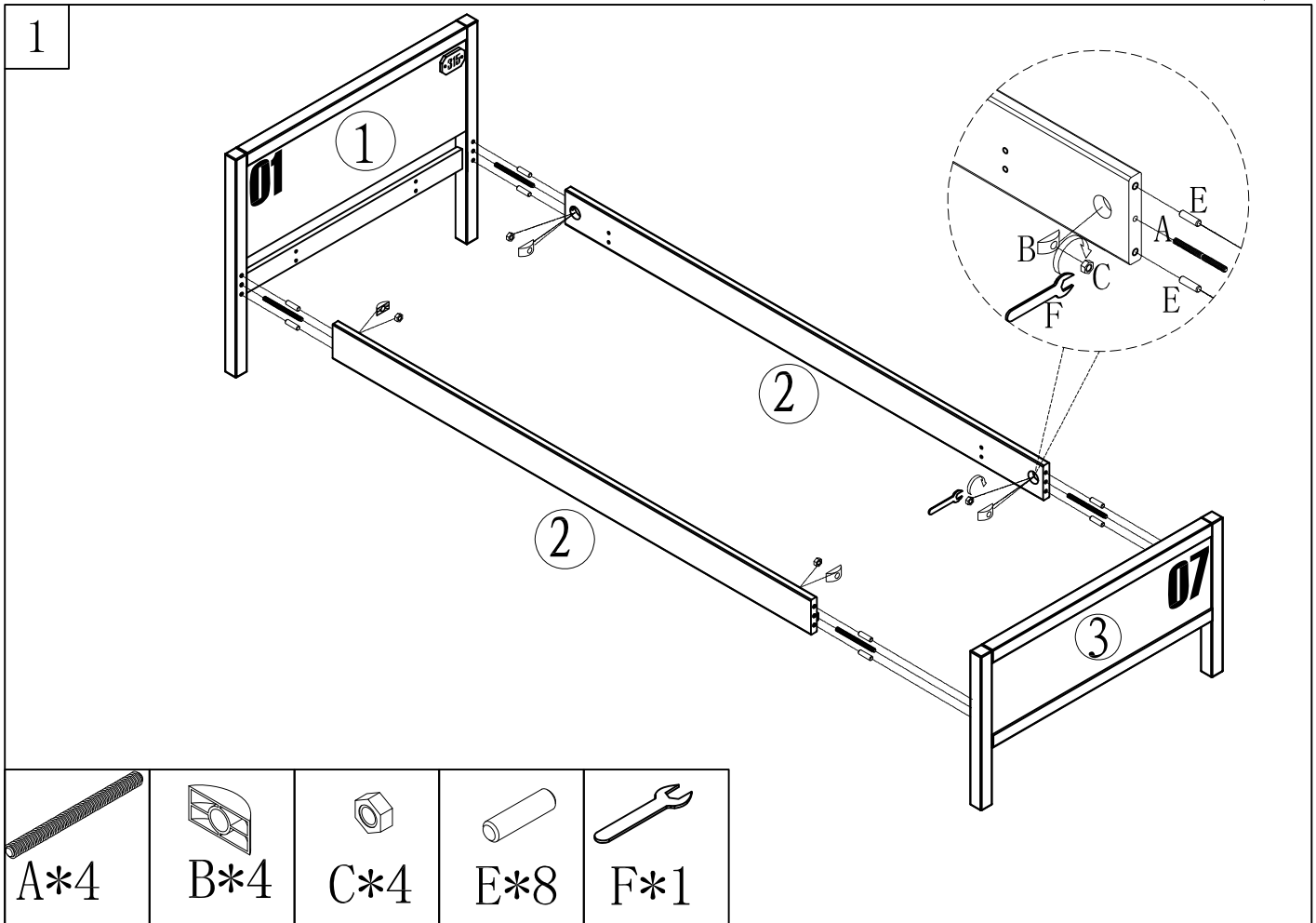
F*1
(WRENCH14)



G*4



H*1



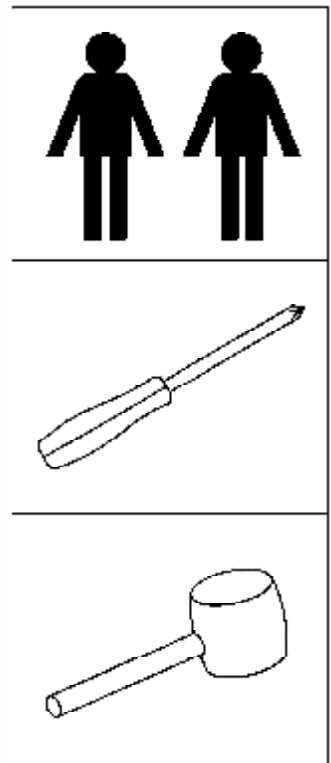
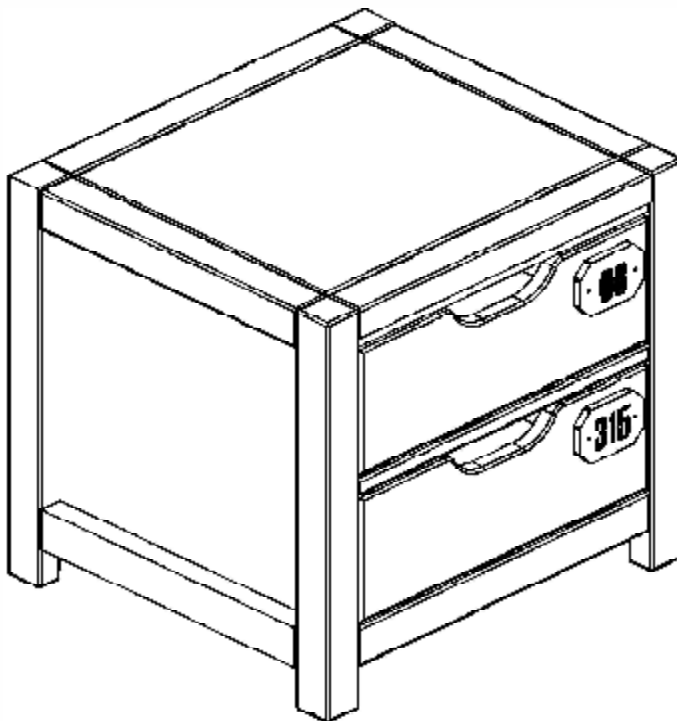


VIPACK
FURNITURE

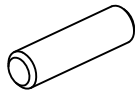
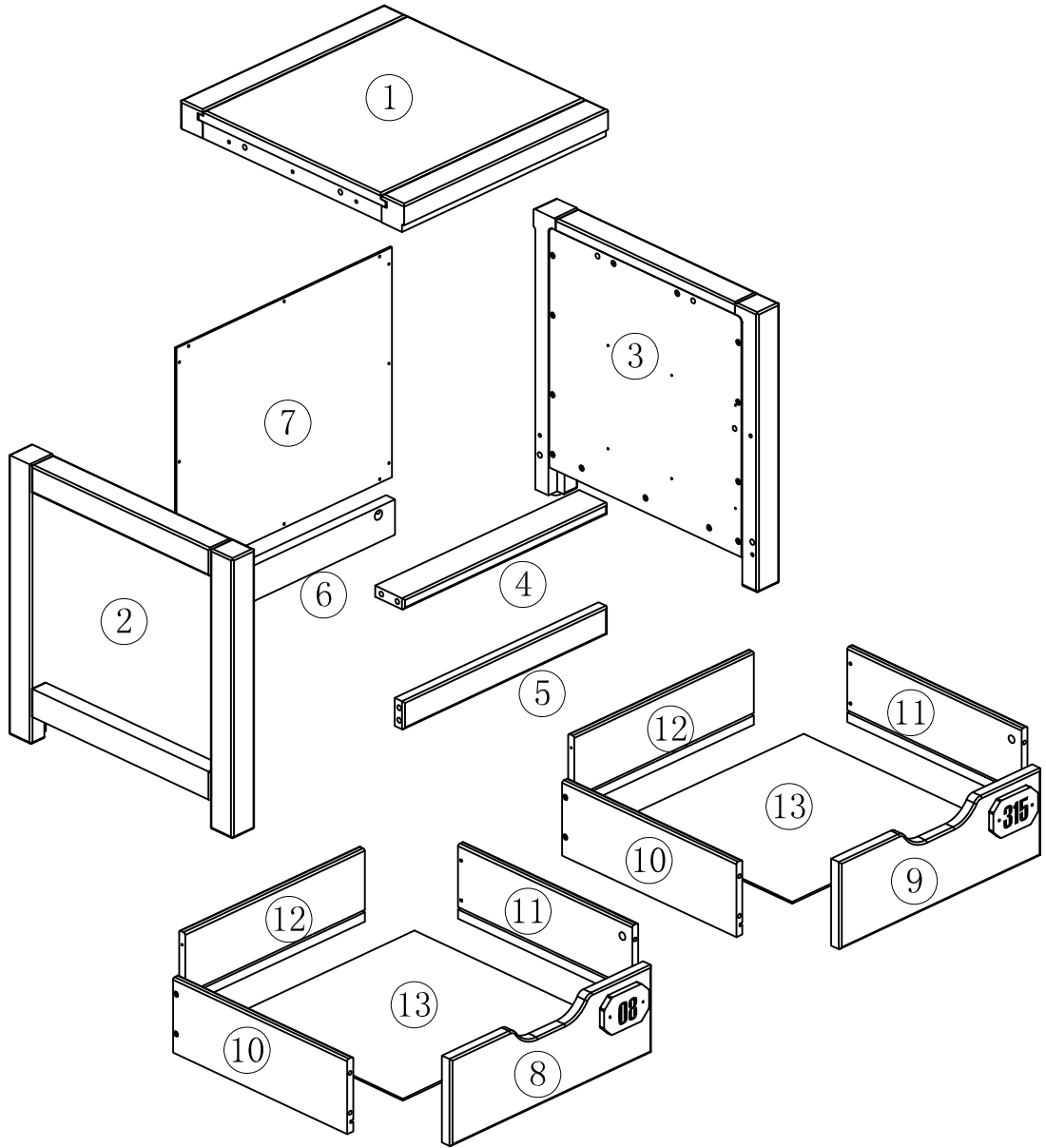
Deken Debostraat 70a B-8791 Beveren-Leie

ALEX NIGHTSTAND AXNA2219

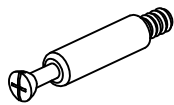
MONTAGE AANWIJZING
NOTICE DE MONTAGE
MONTAGE ANLEITUNG
ASSEMBLY INSTRUCTIONS



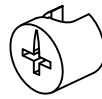
BE00288



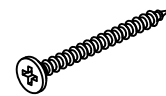
A*10
(D8*30)



B*6
(D15)



C*6
(D15)



D*6
(M3.5*50)



E*8
(D12)



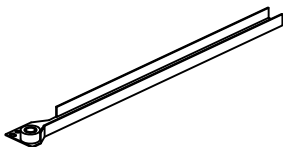
F*8
(D12)



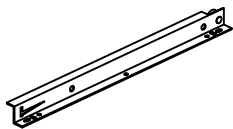
H*12
(M3.0*15)



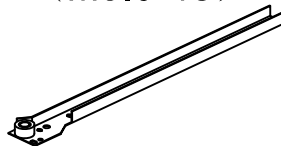
I*24
(M3.5*15)



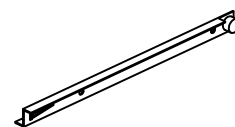
J*2



K*2

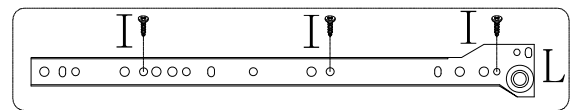
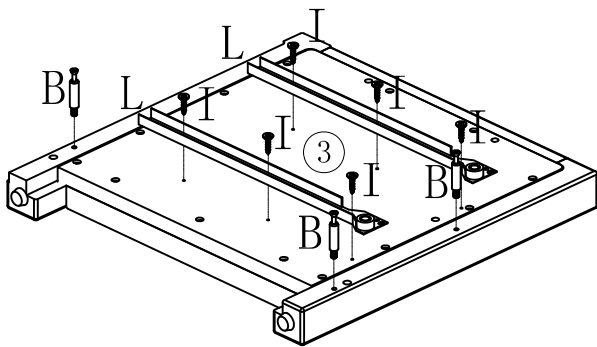
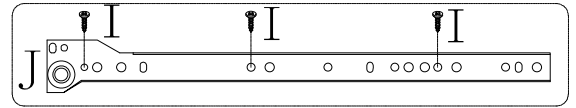
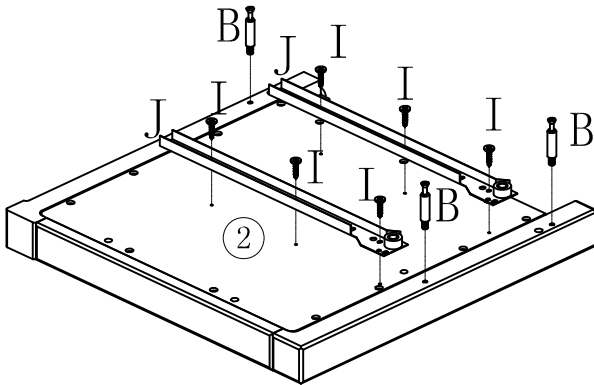
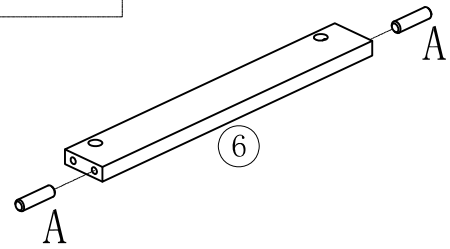
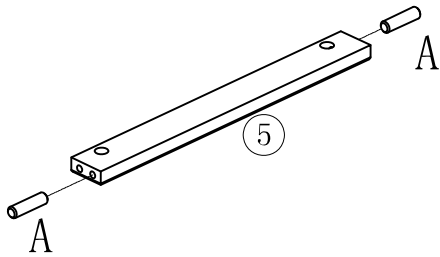
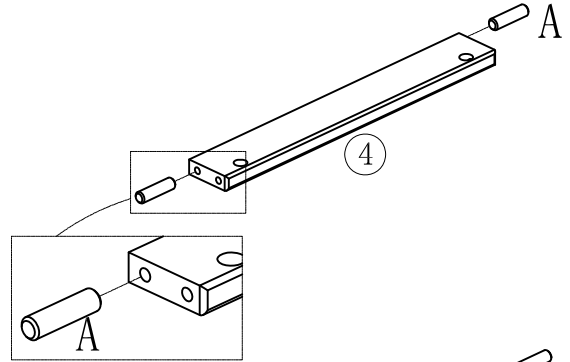
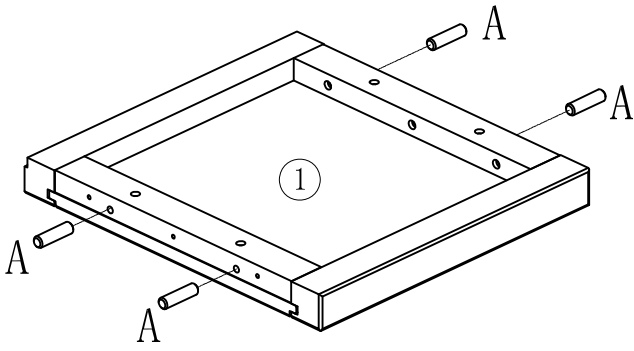


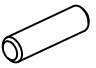




L*2



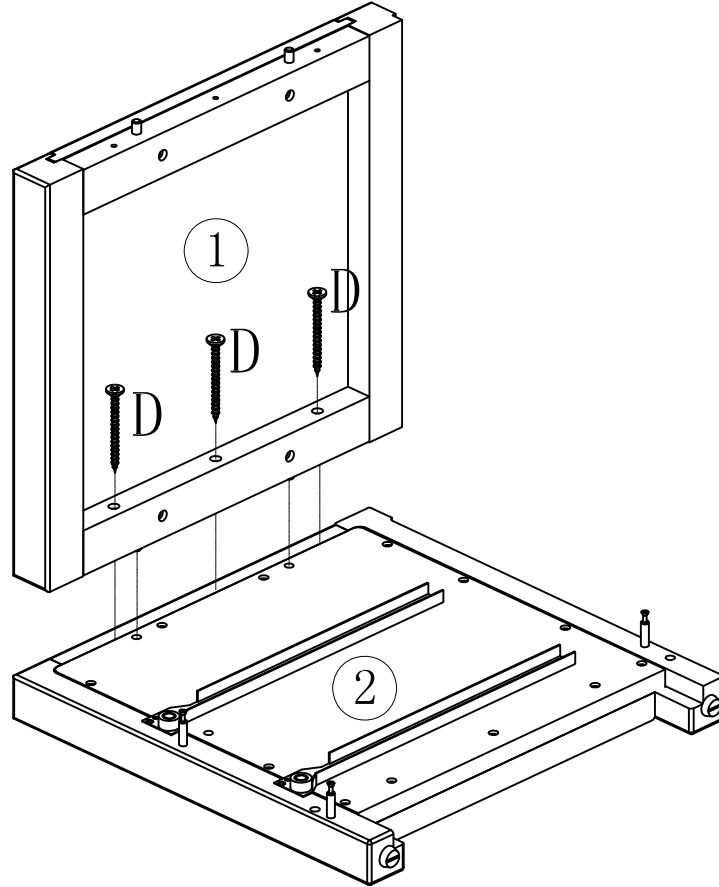
M*2

1

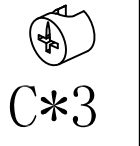
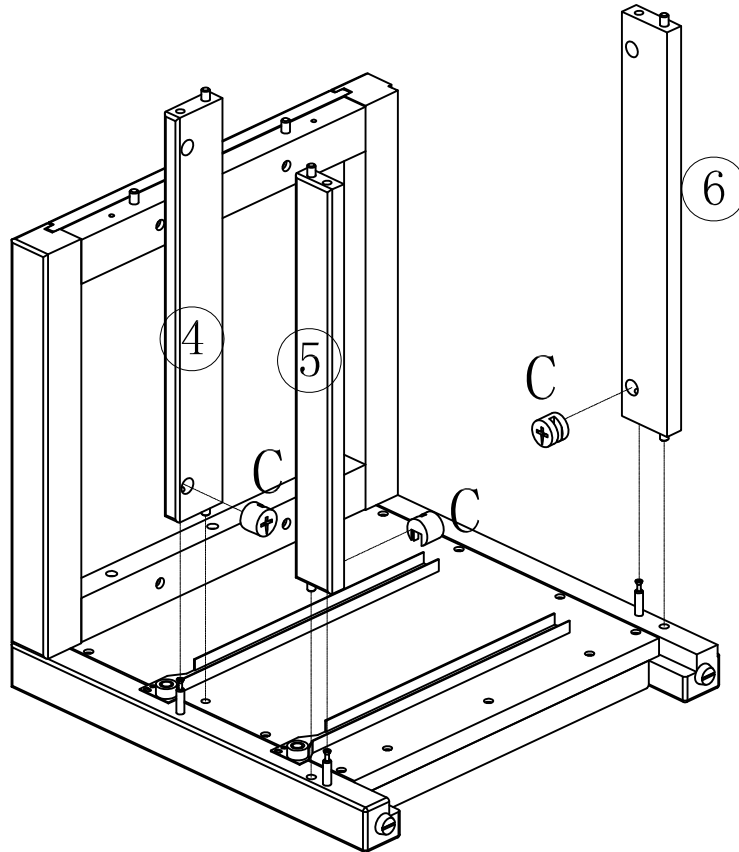


				
A*10	B*6	I*12	J*2	L*2

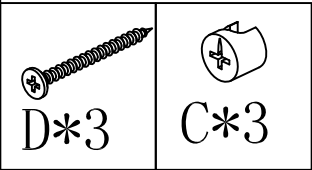
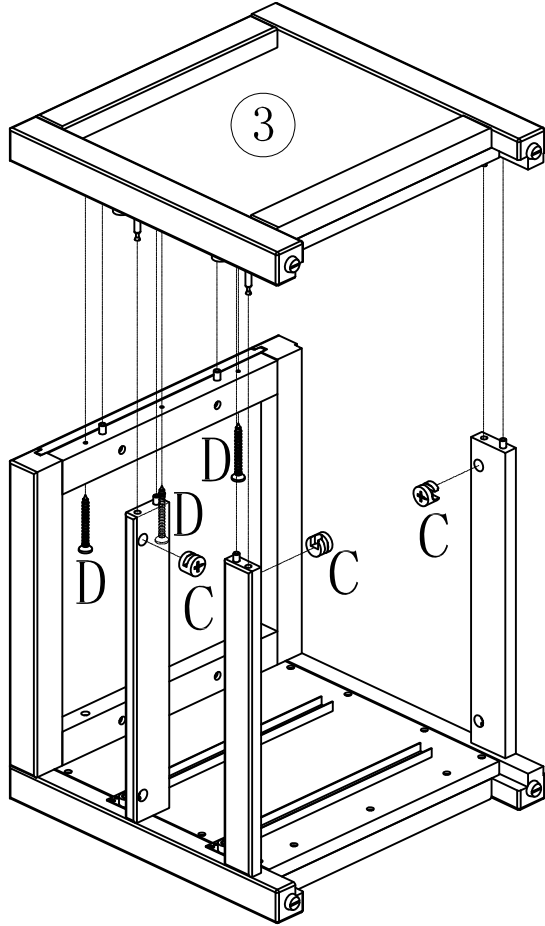
2



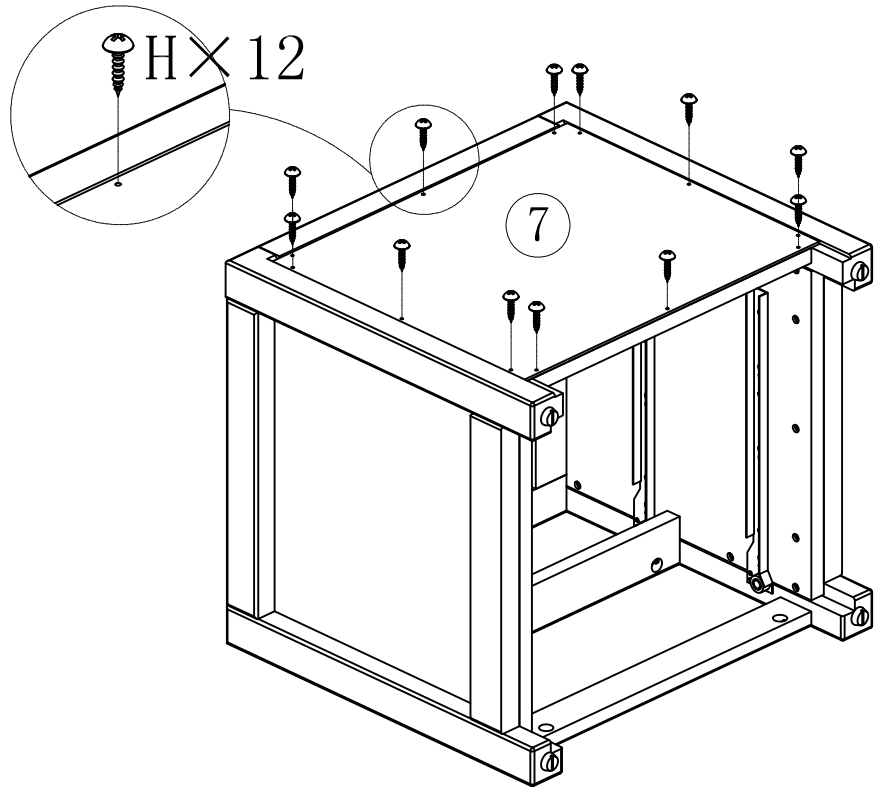
3



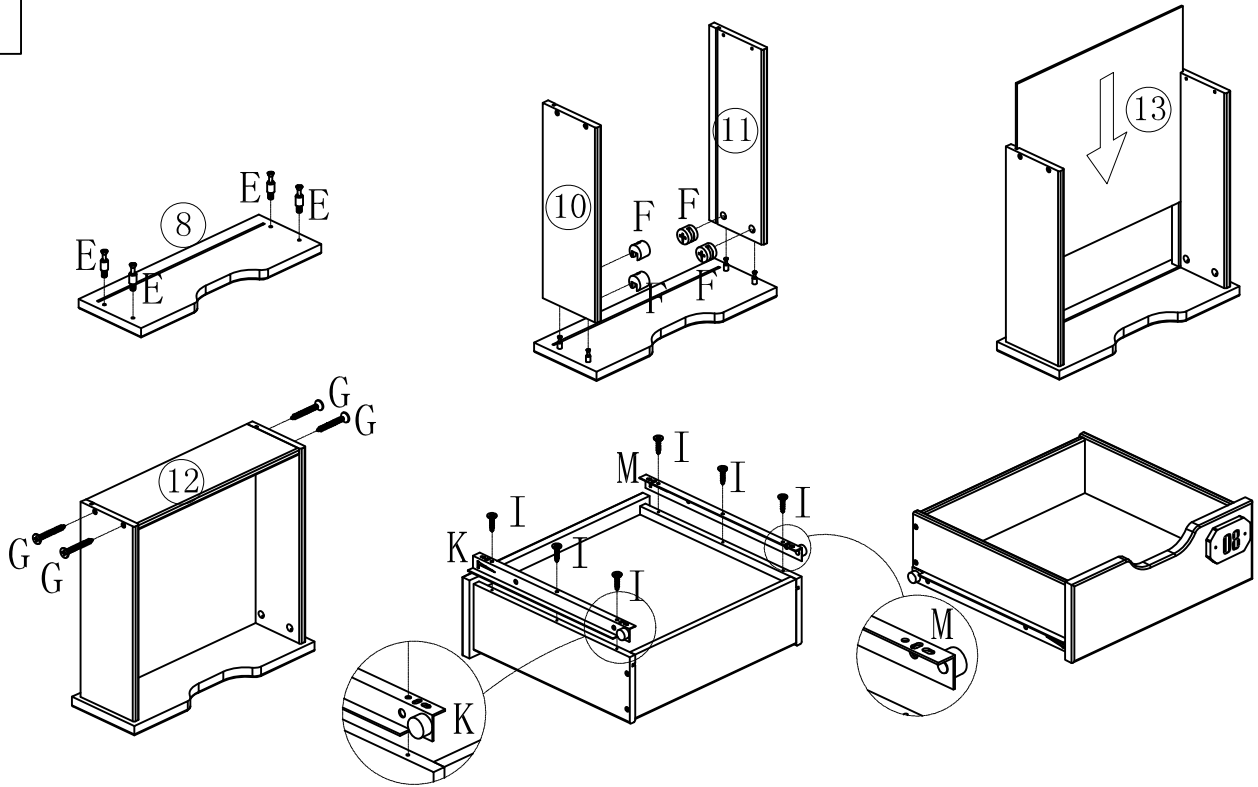
4





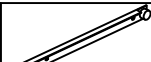



5

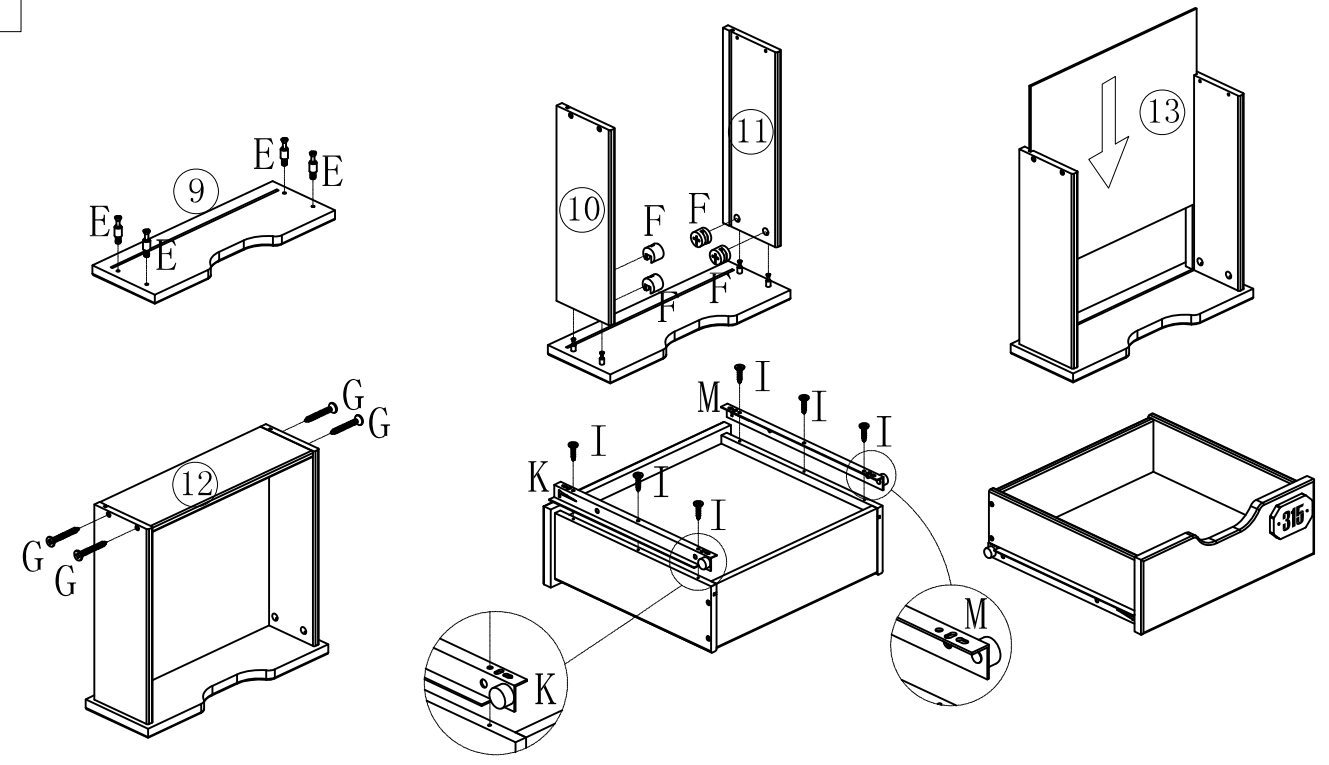








6



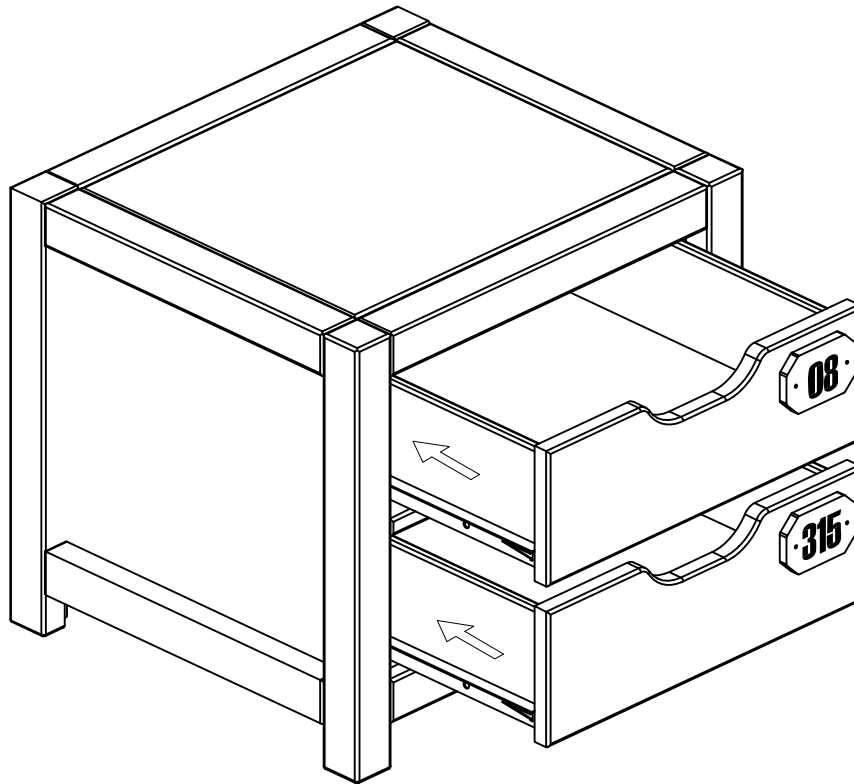
					
E*4	F*4	G*4	K*1	M*1	I*6

7

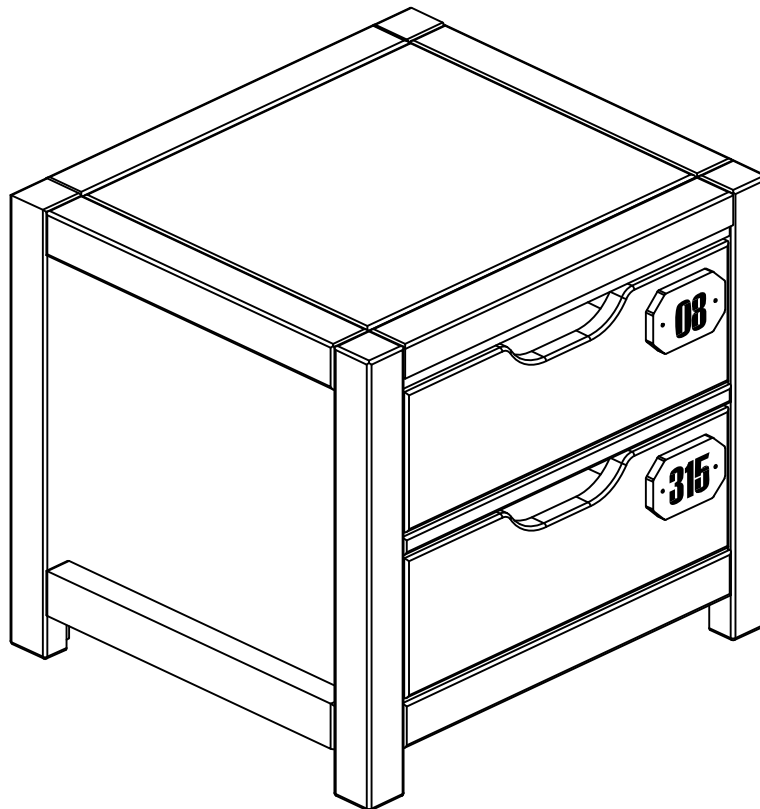


					
E*4	F*4	G*4	K*1	M*1	I*6

8



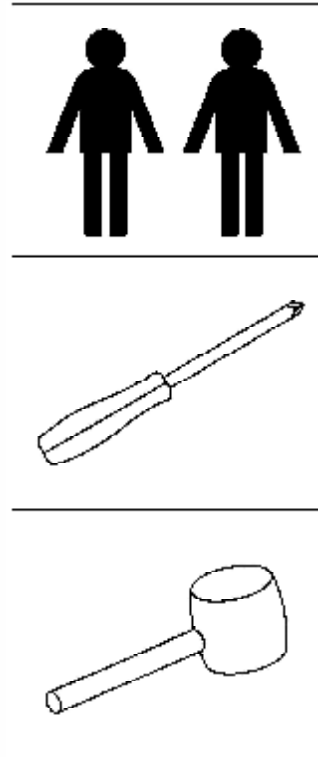
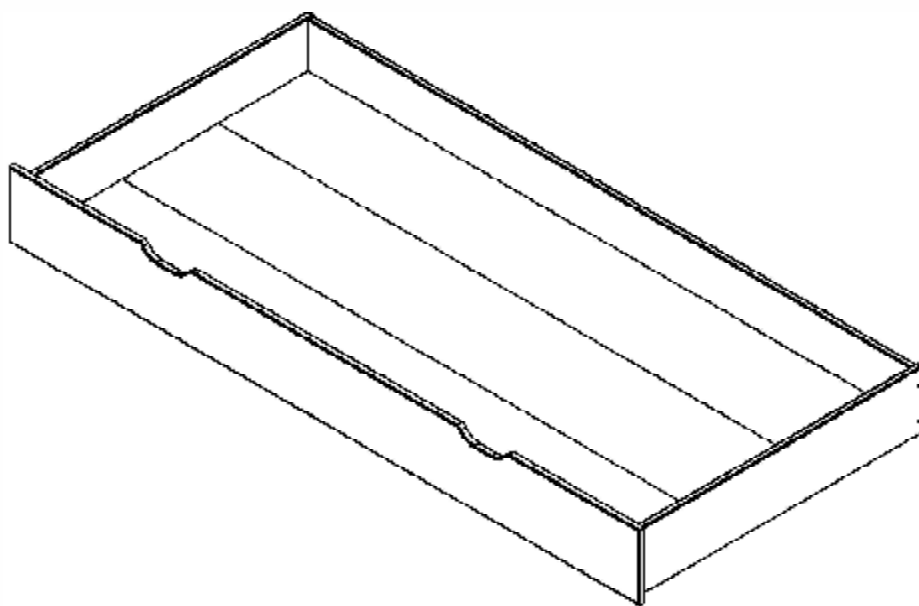
9

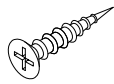
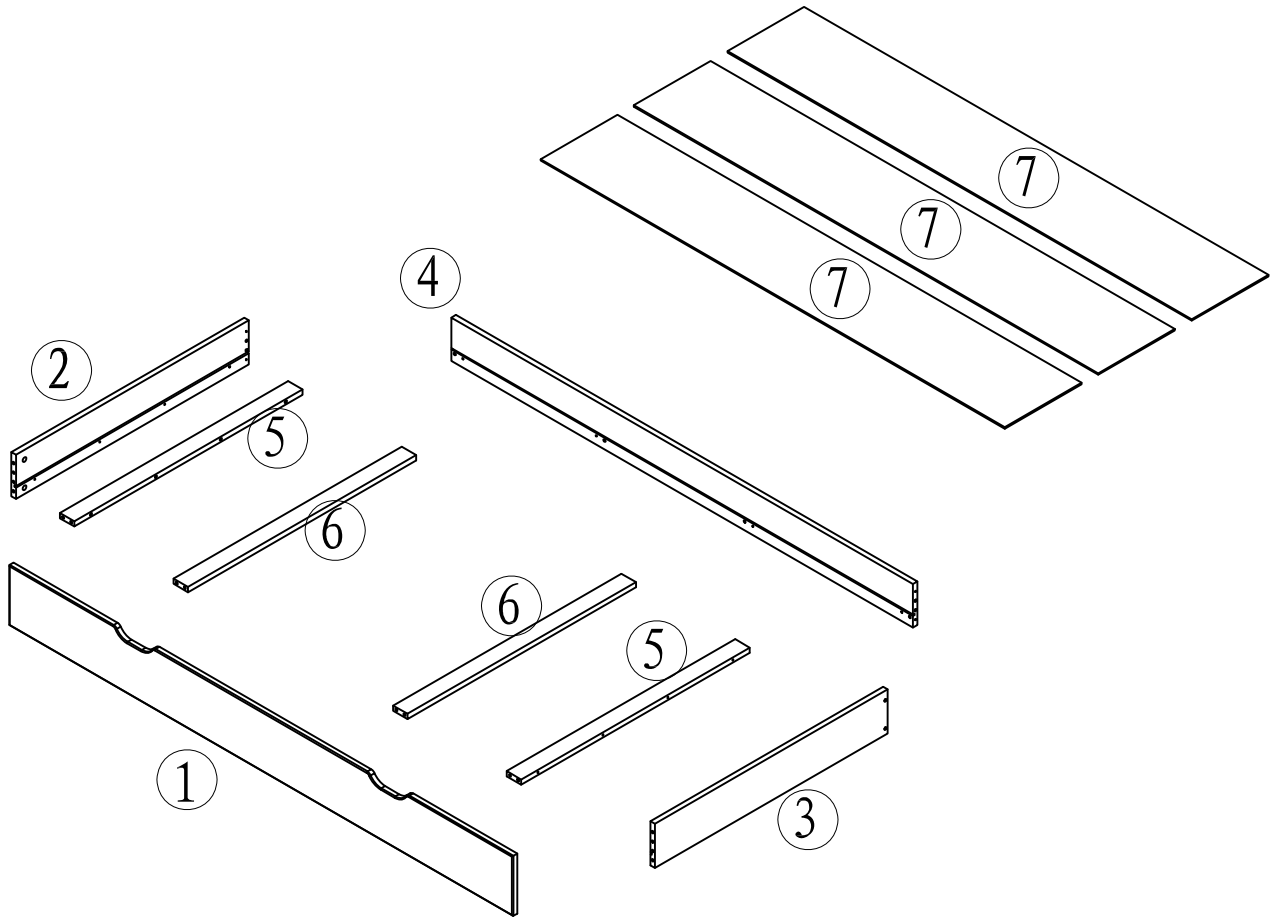


ALEX UNDERBED

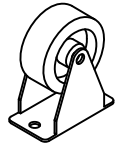
AXRB9019

MONTAGE AANWIJZING
NOTICE DE MONTAGE
MONTAGE ANLEITUNG
ASSEMBLY INSTRUCTIONS





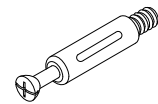
A × 16
(M3.5 × 15)



B × 8



C × 12
(M3.5 × 35)



D × 12
(D15)



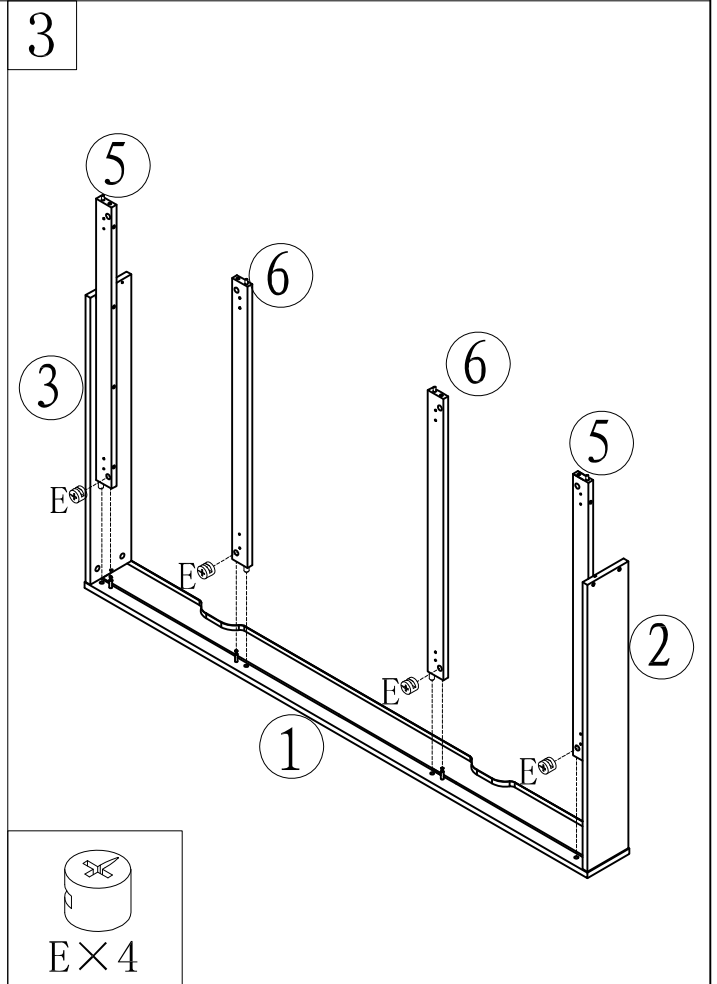
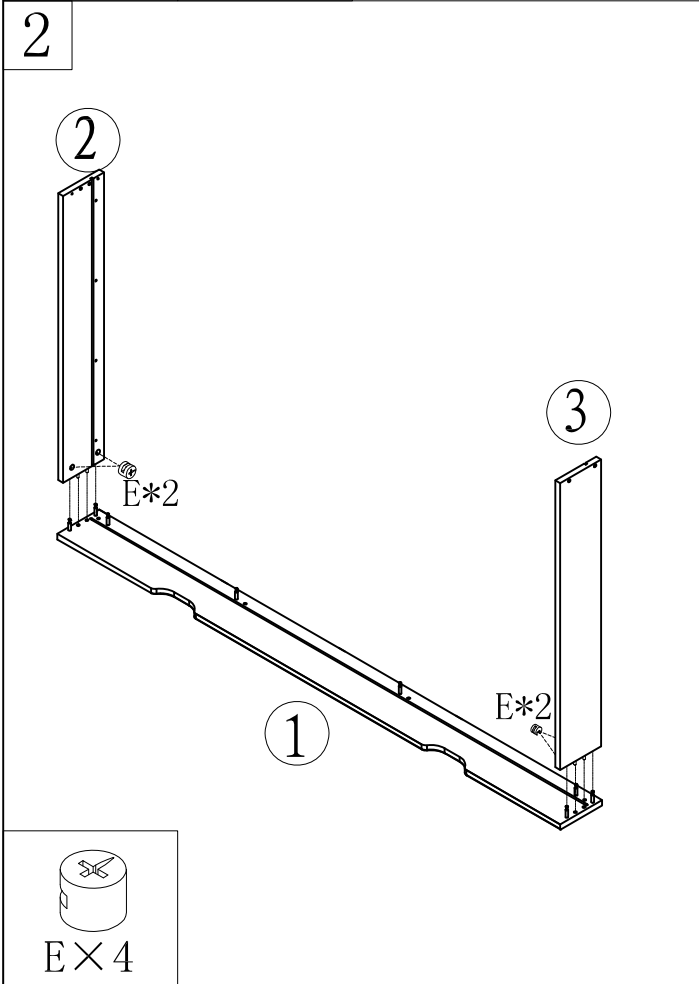
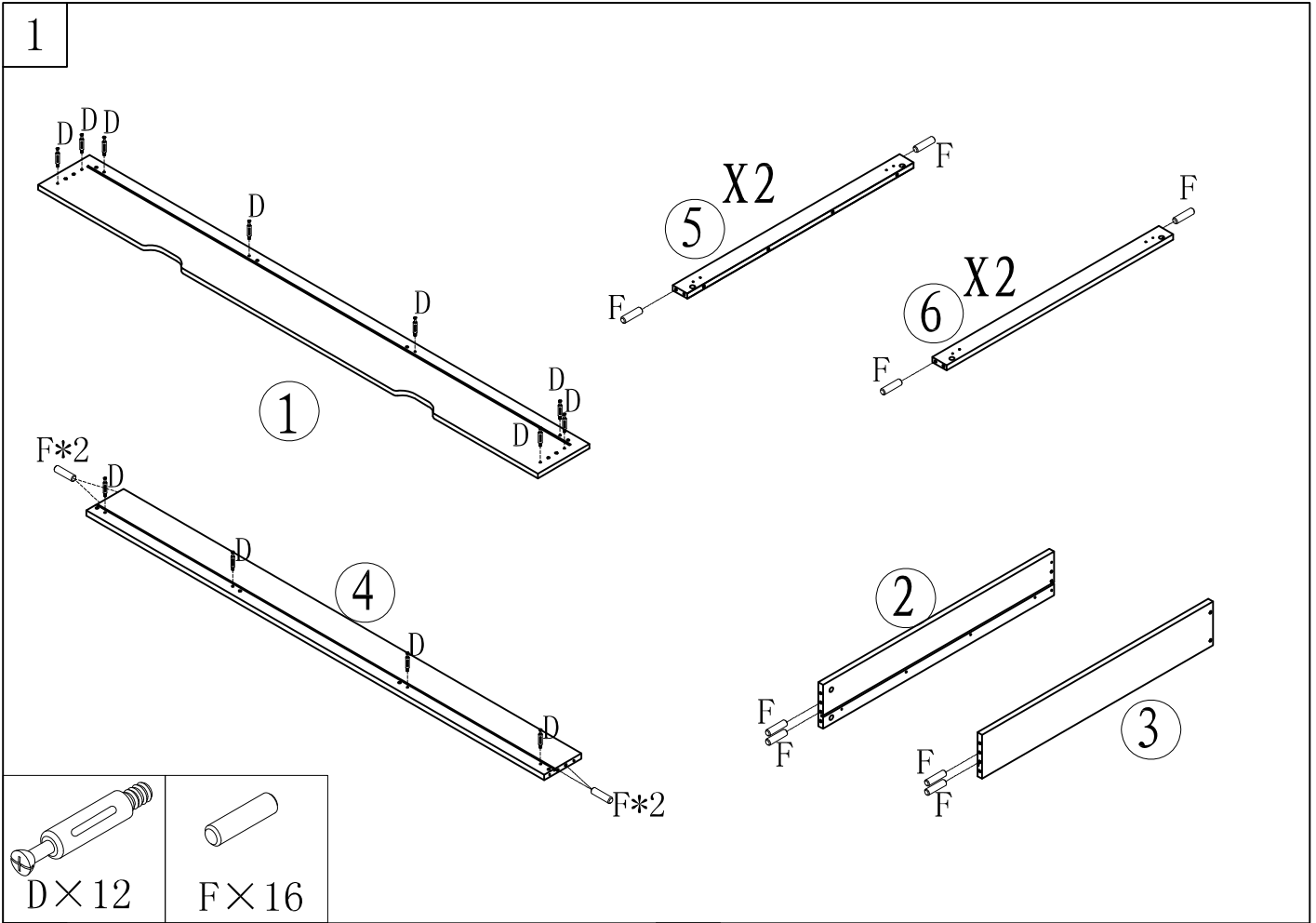
E × 12
(D15)



F × 16
(D8 × 30)

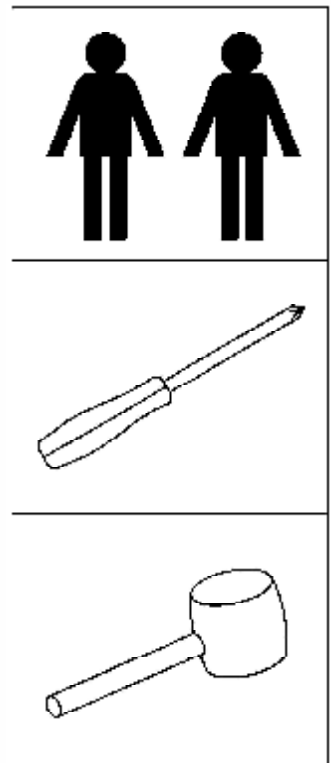
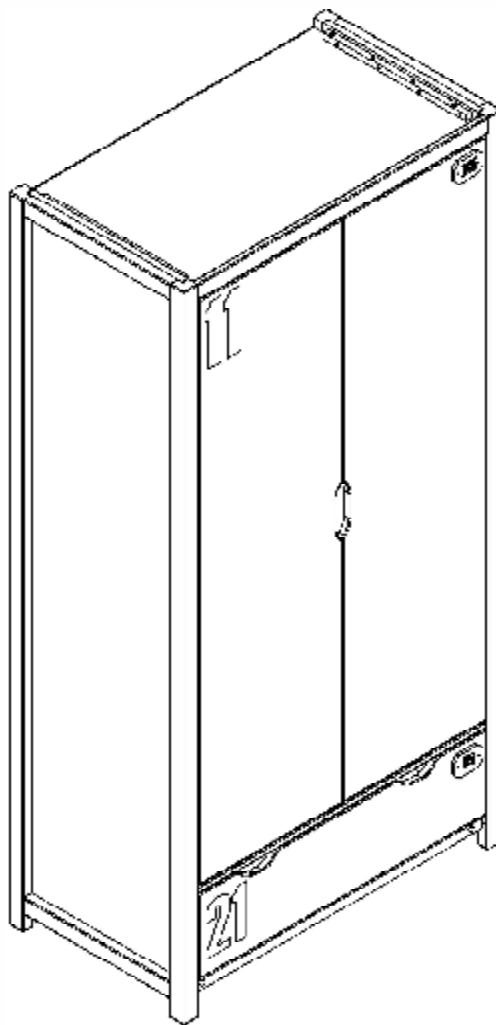


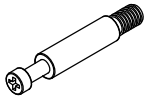
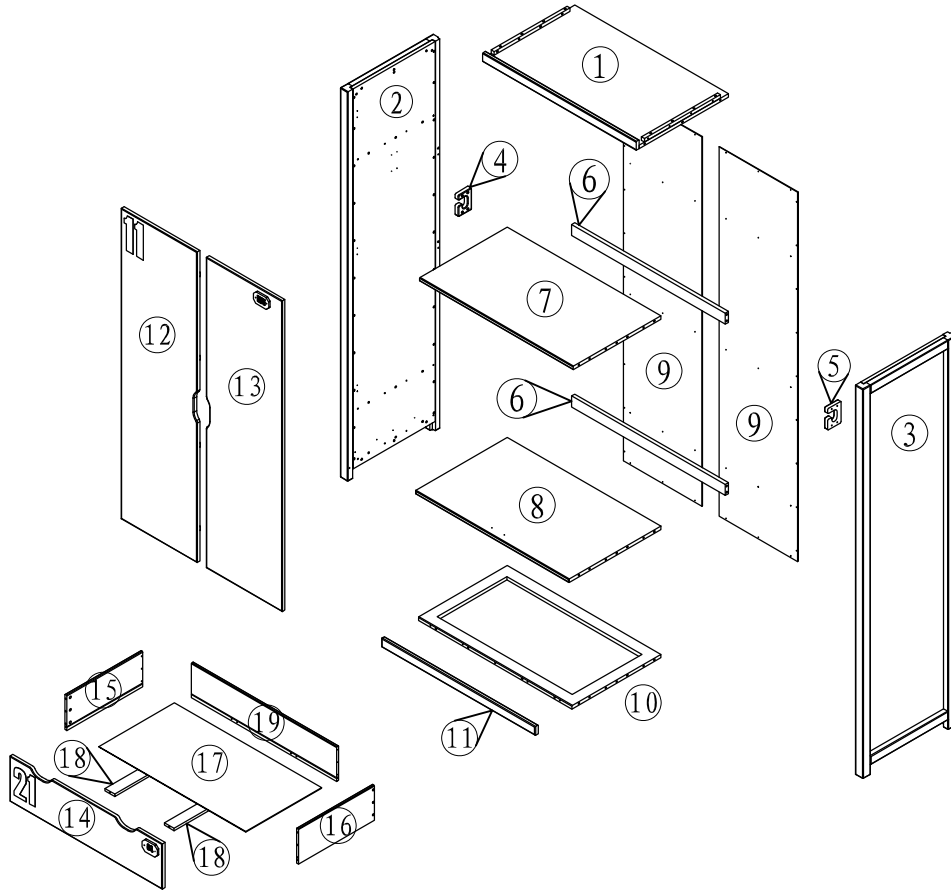
G × 2
(L=1899)



ALEX 2 DOOR WARDROBE AXKL1219

MONTAGE AANWIJZING
NOTICE DE MONTAGE
MONTAGE ANLEITUNG
ASSEMBLY INSTRUCTIONS





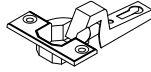
($\varnothing 15$)
A \times 35



($\varnothing 15$)
B \times 35



($\varnothing 8 \times 30\text{mm}$)
C \times 32



D \times 6



E \times 6



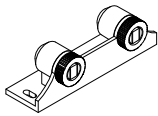
($\varnothing 3.5 \times 15\text{mm}$)
F \times 36



($\varnothing 3.5 \times 15\text{mm}$)
G \times 14



H \times 4



I \times 2



($\varnothing 3.0 \times 12\text{mm}$)
J \times 4



($\varnothing 3.0 \times 12\text{mm}$)
K \times 4



($\varnothing 6 \times \varnothing 18$)
L \times 1



($\varnothing 4 \times \varnothing 9$)
M \times 1



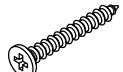
(L=1858mm)
N \times 1



O \times 1



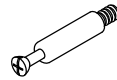
P \times 1



($\varnothing 3.5 \times 30\text{mm}$)
Q \times 17



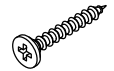
($\varnothing 3.0 \times 15\text{mm}$)
R \times 48



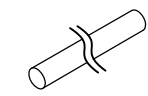
($\varnothing 12$)
S \times 8



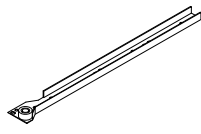
($\varnothing 12$)
T \times 8



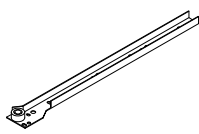
($\varnothing 3.5 \times 25\text{mm}$)
U \times 10



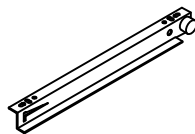
(L=906mm)
V \times 1



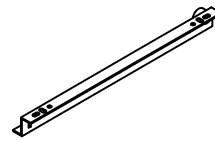
W \times 1



X \times 1

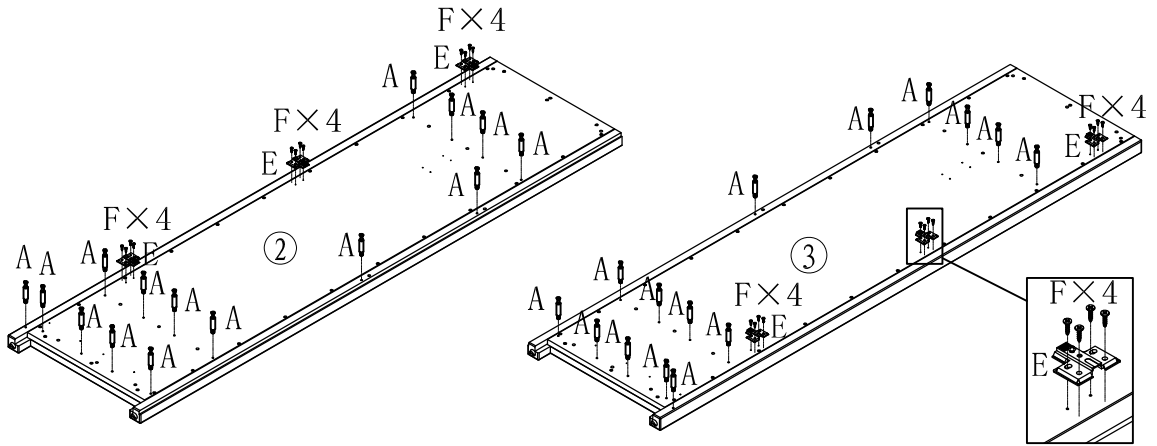



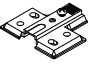

Y \times 1



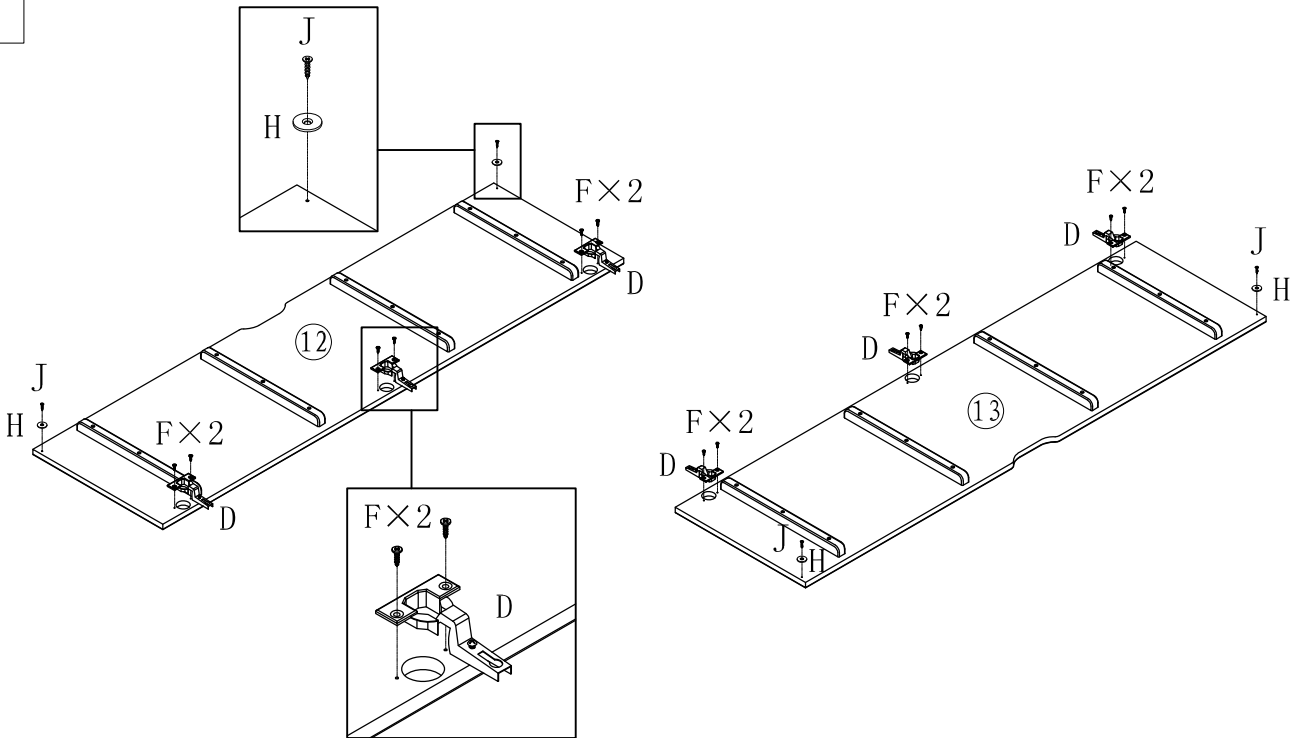
Z \times 1

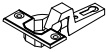



1



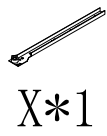
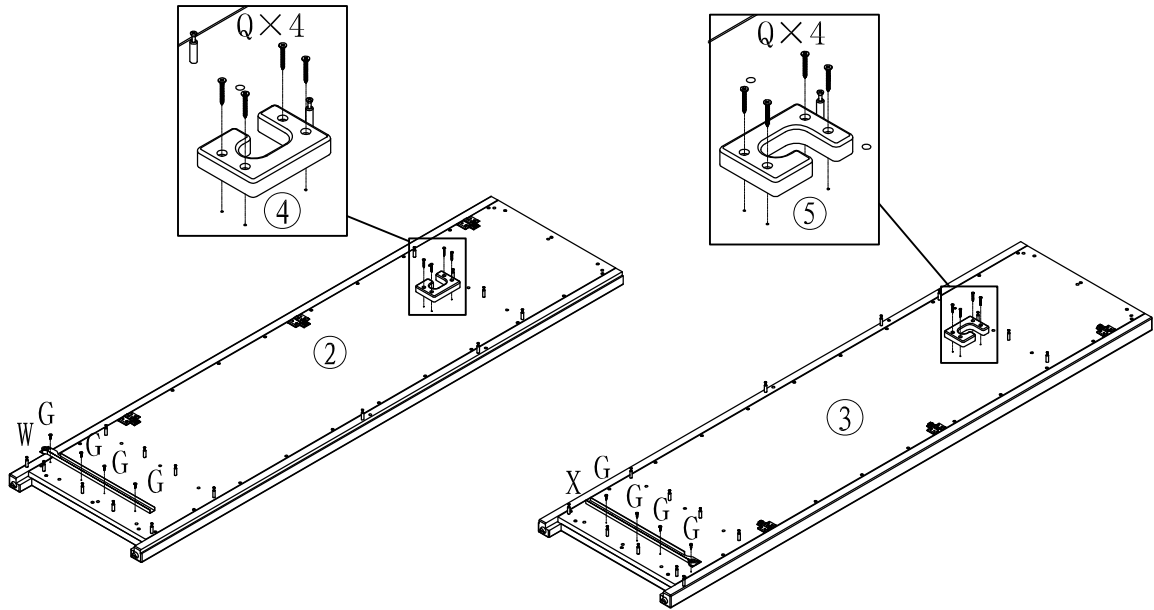
		
A*30	E*6	F*24

2

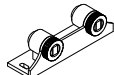
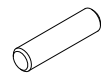
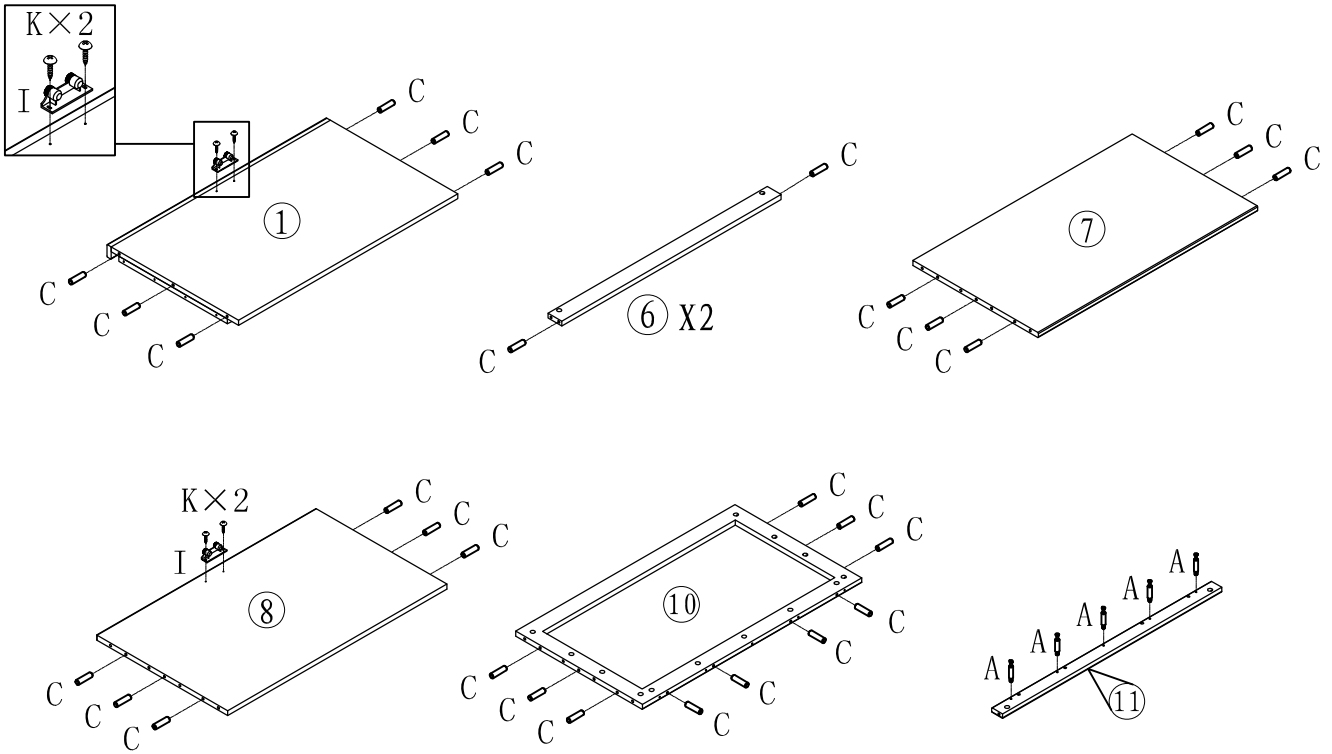


			
D*6	F*12	H*4	J*4

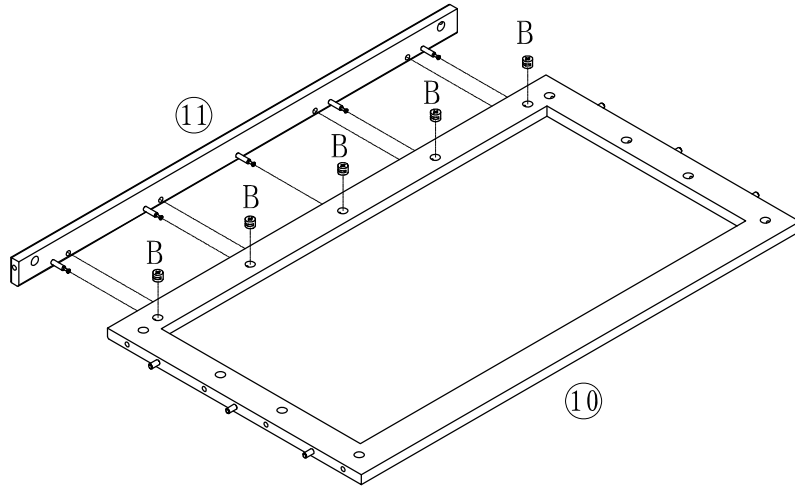
3



4

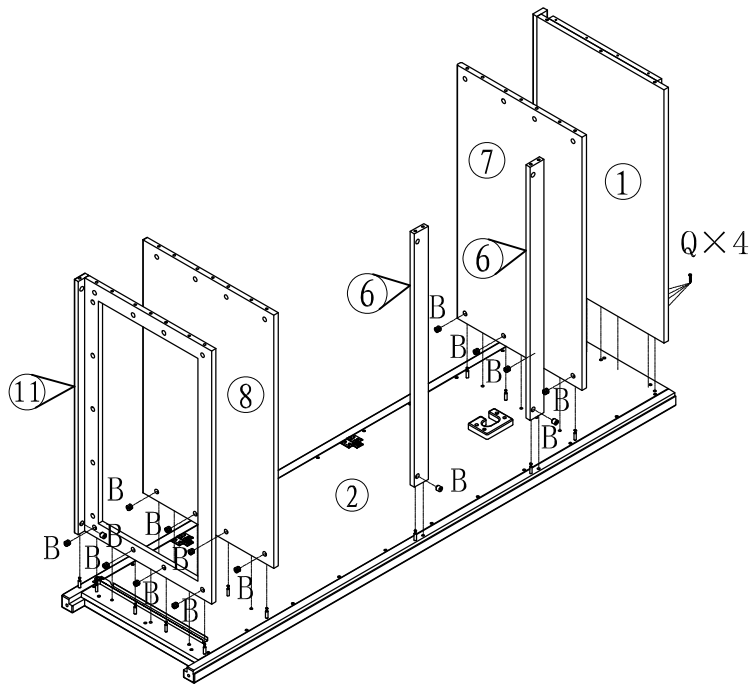


5



B*5

6

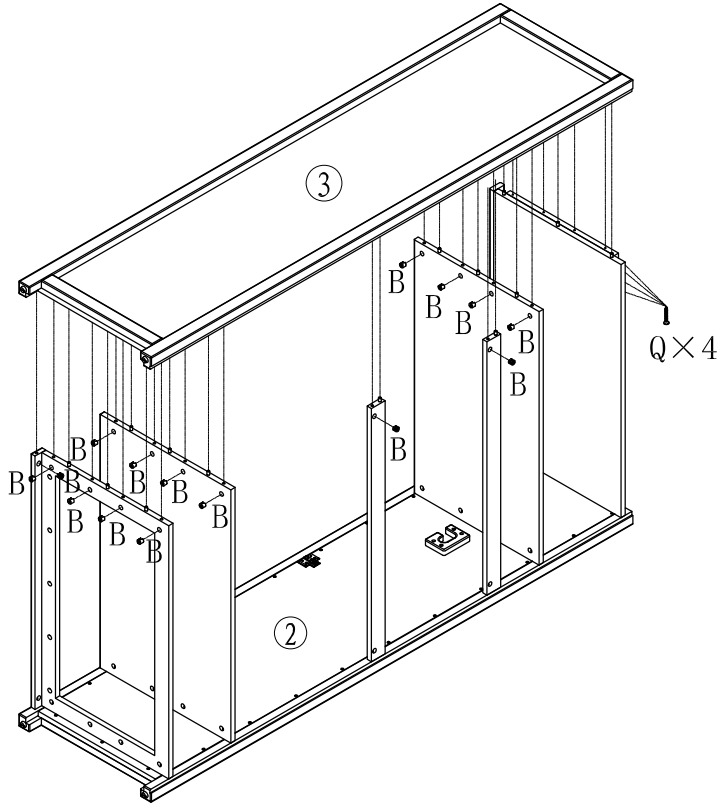



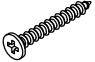
B*15



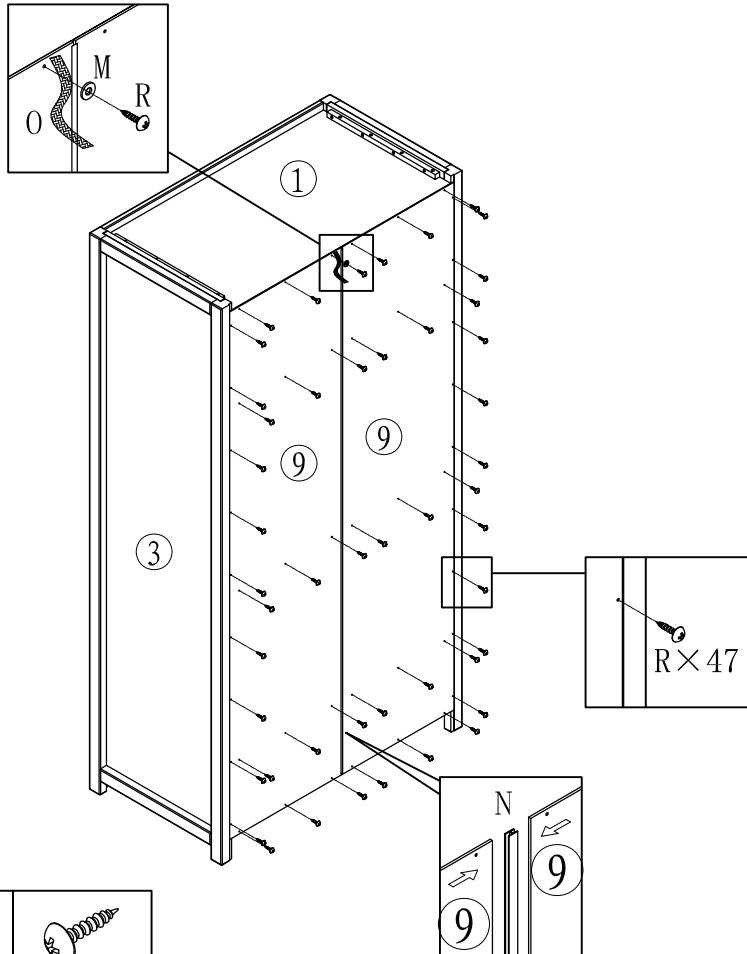
Q*4





7



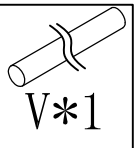
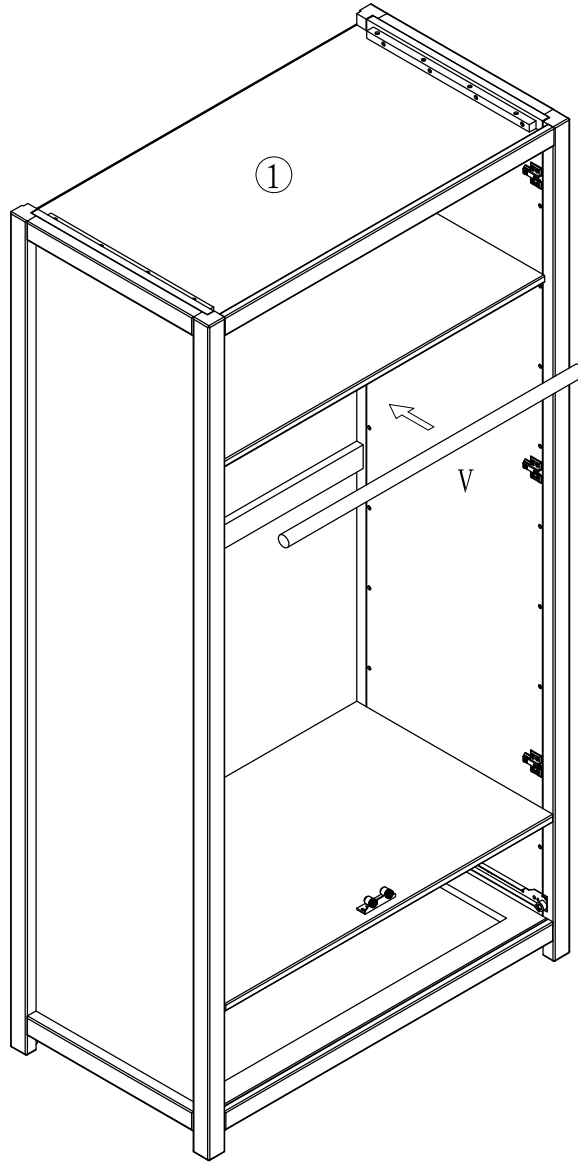
	
B*15	Q*4

8

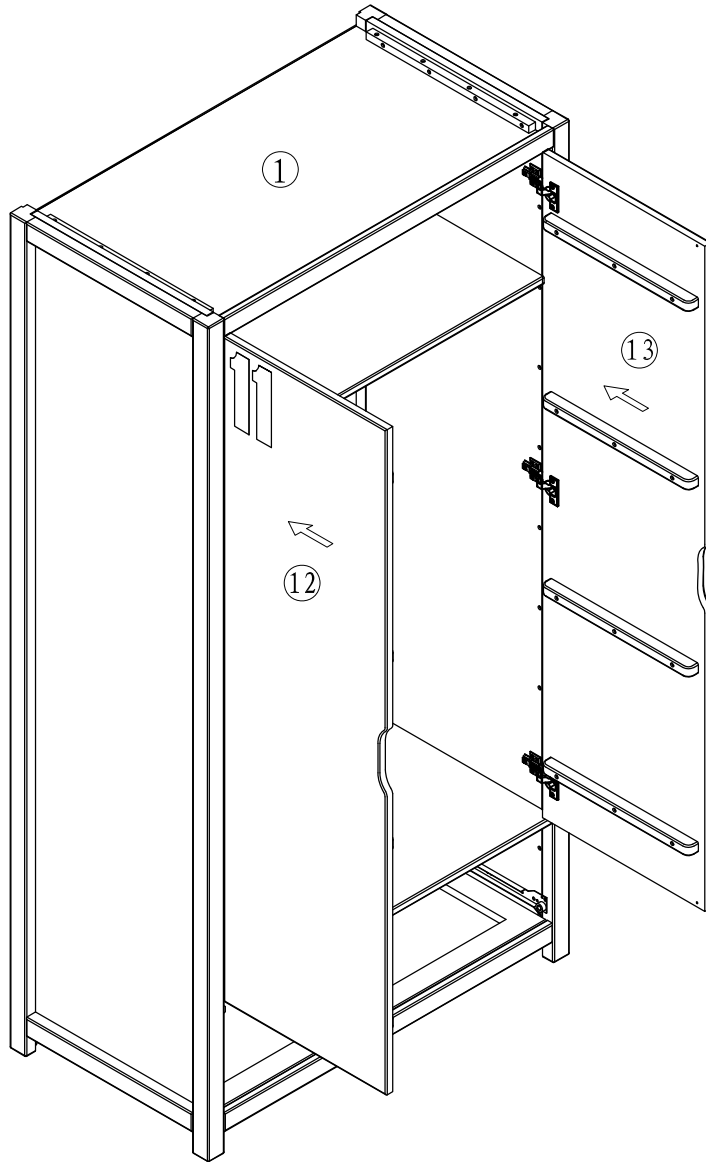
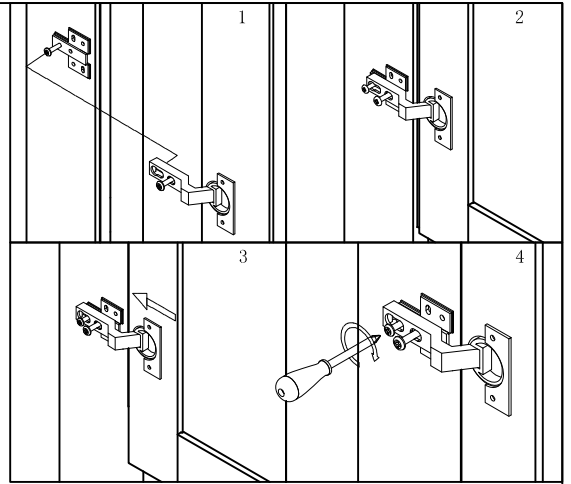


			
M*1	N*1	O*1	R*48

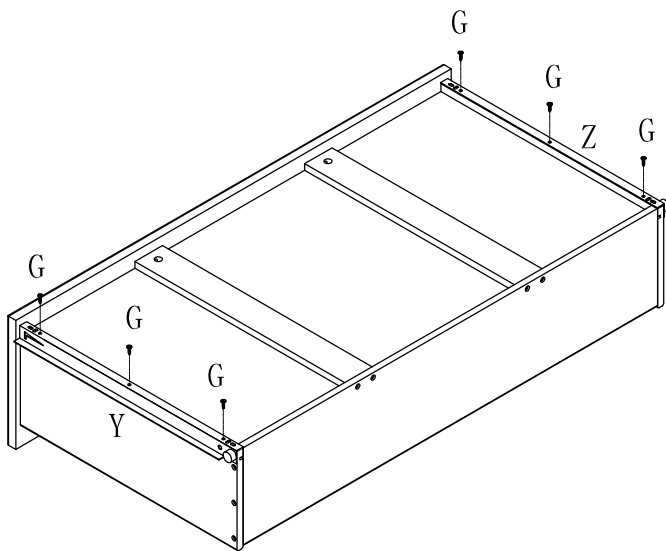
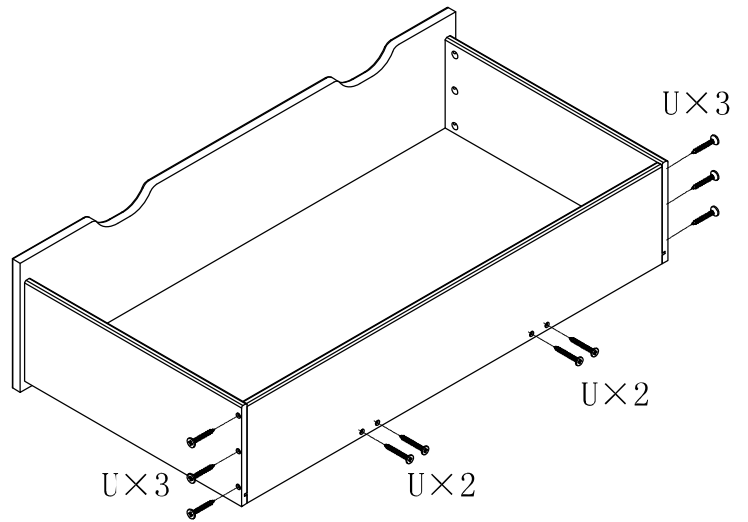
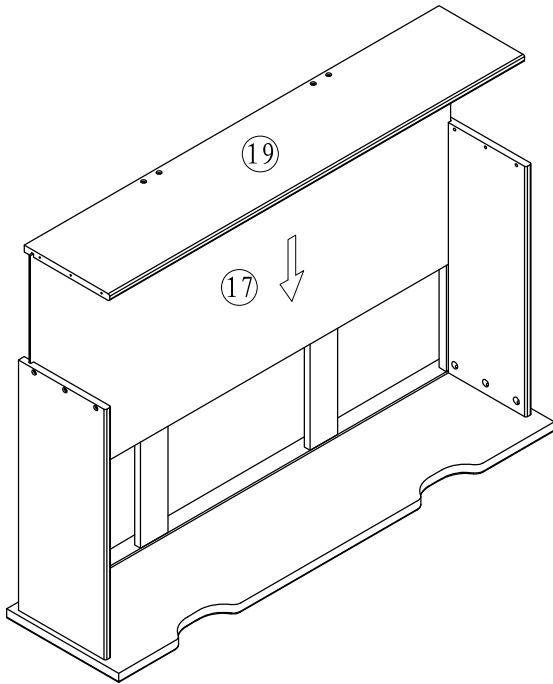
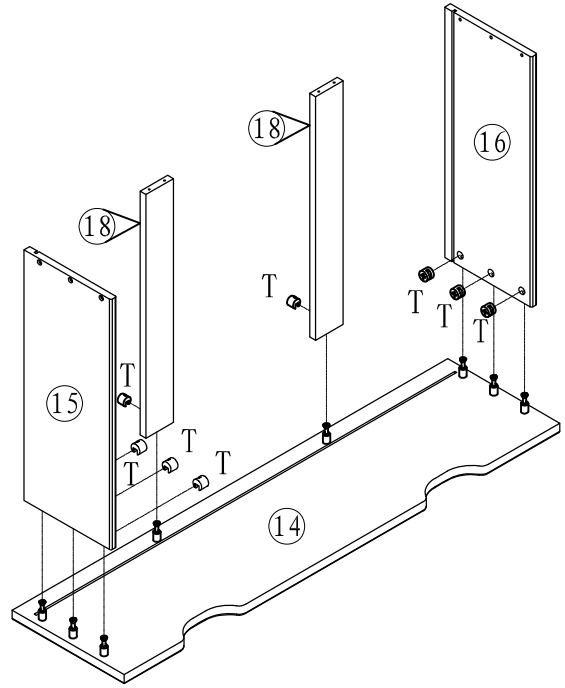
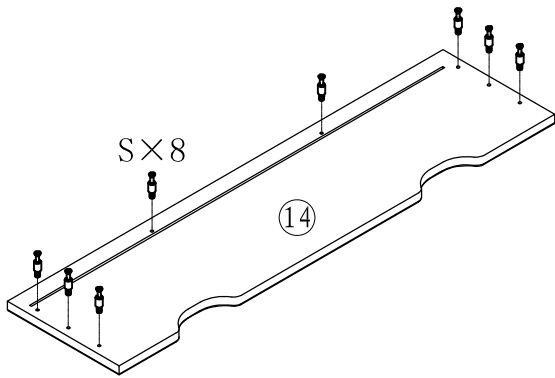
9

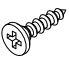
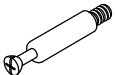

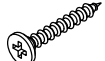




10

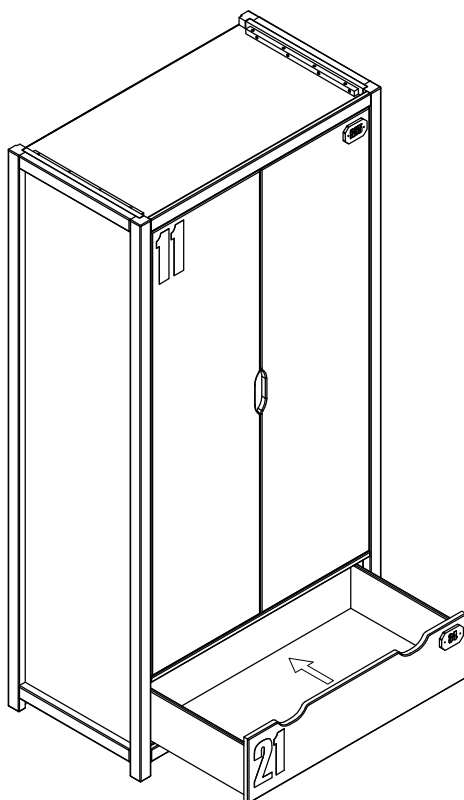


11

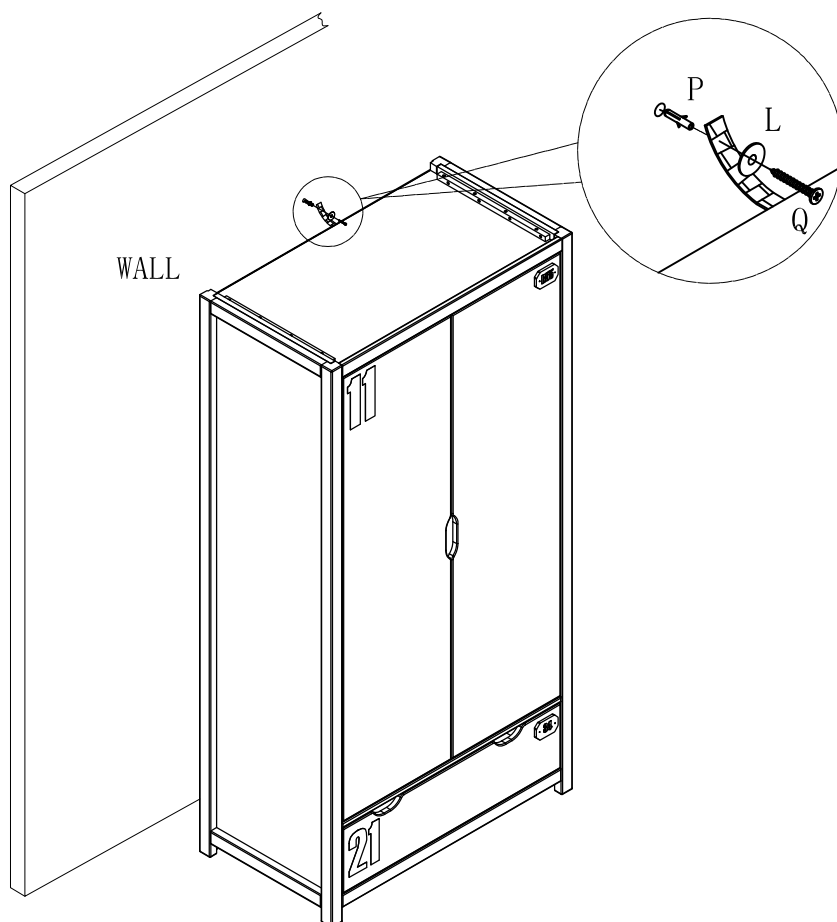


					
G*6	S*8	T*8	U*10	Y*1	Z*1

12



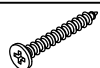
13



L*1



P*1

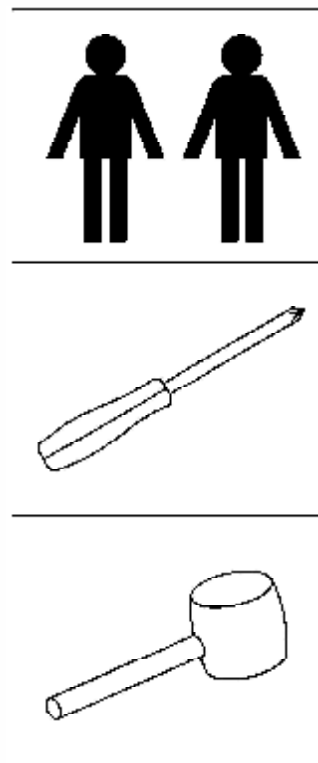
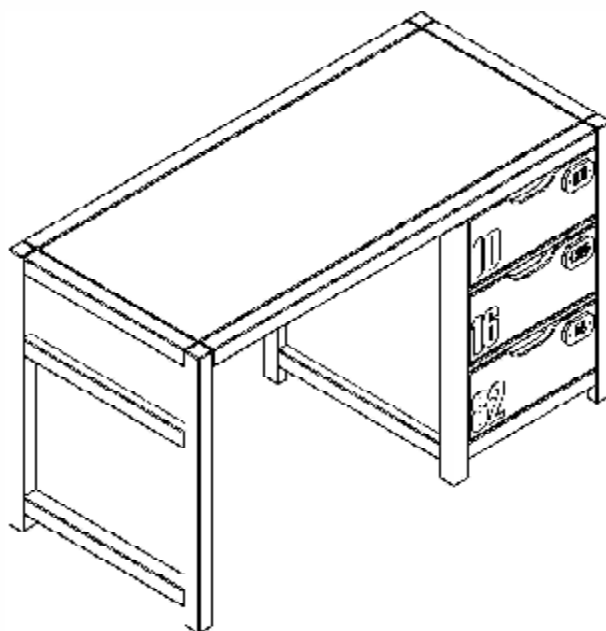


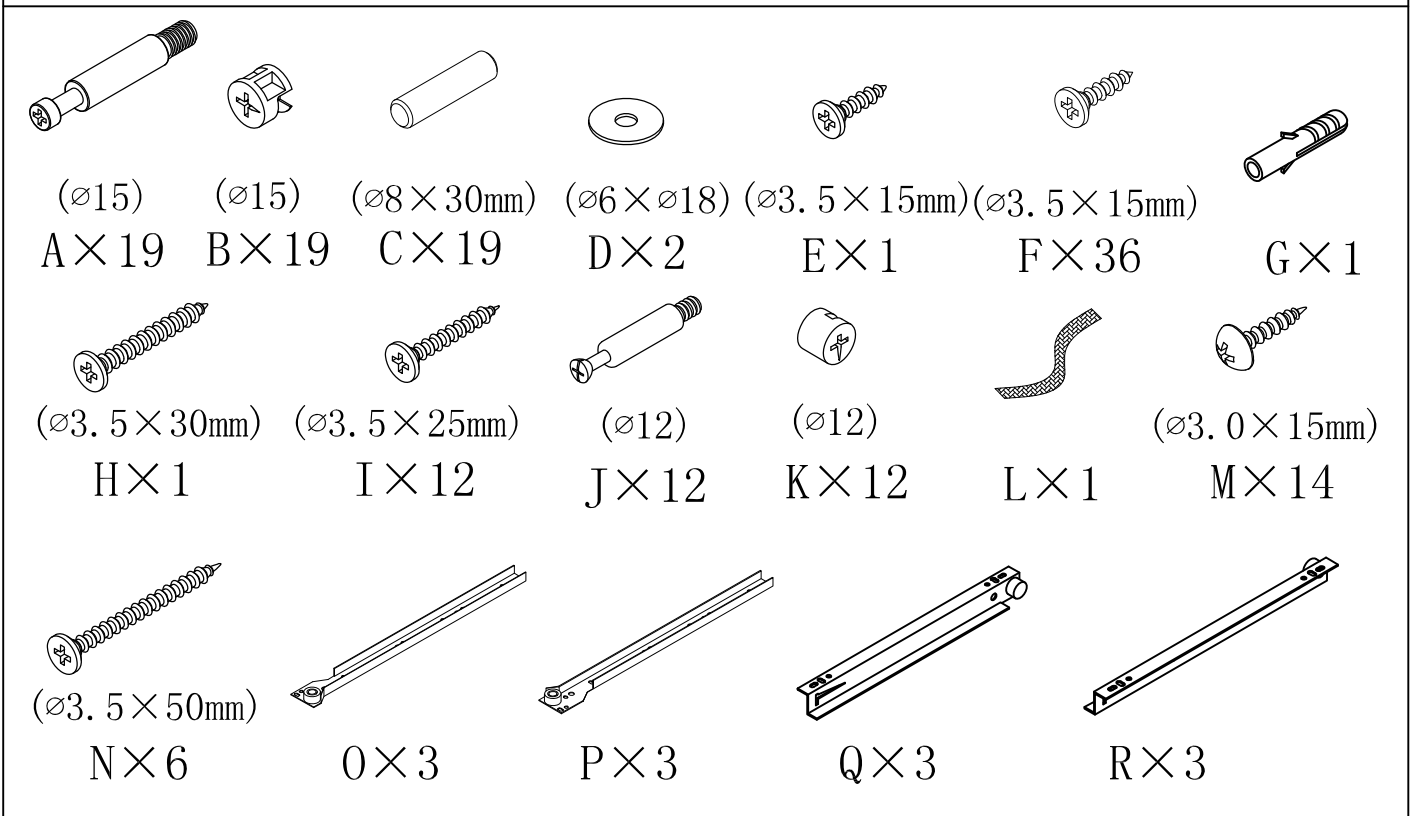
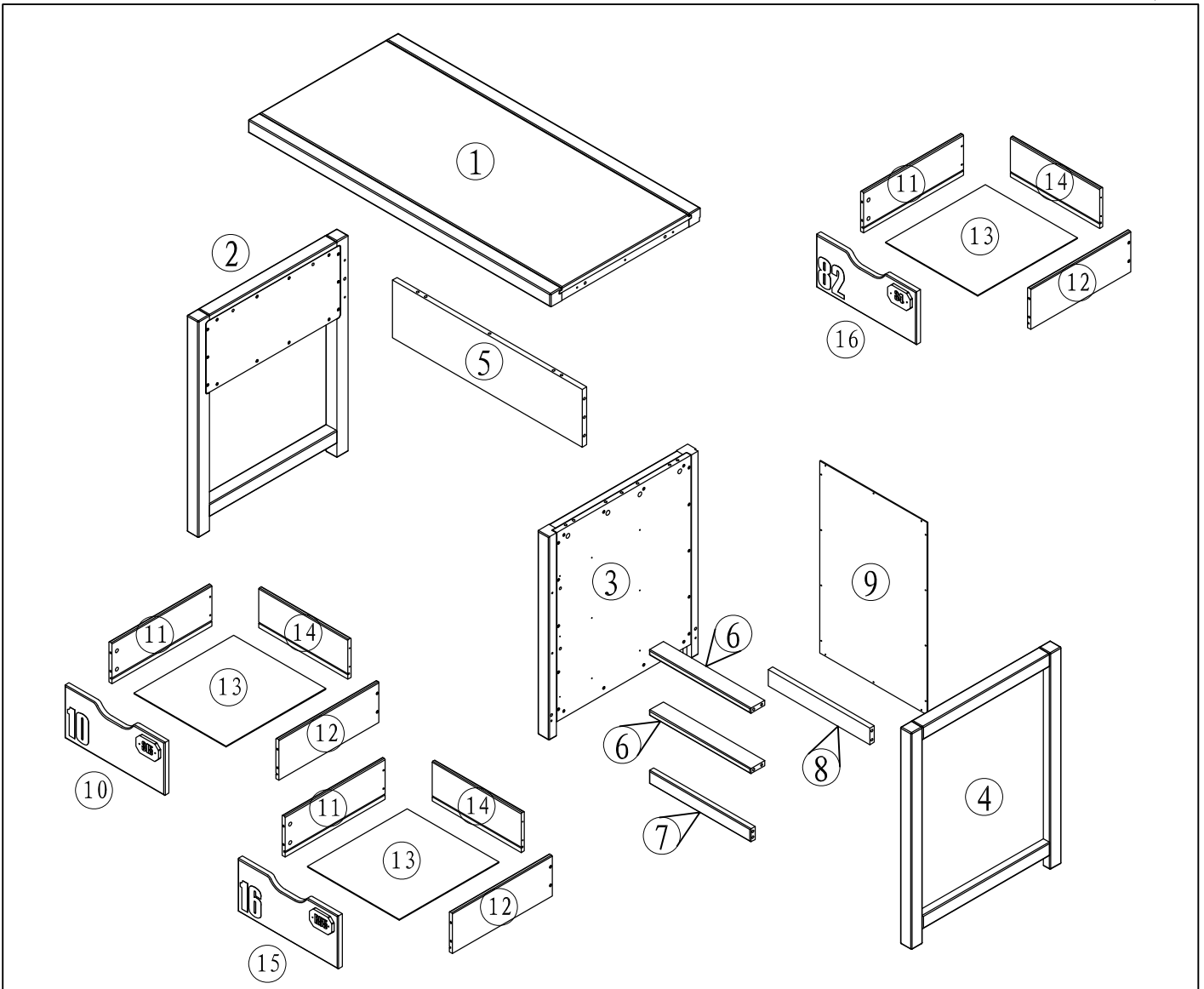
Q*1

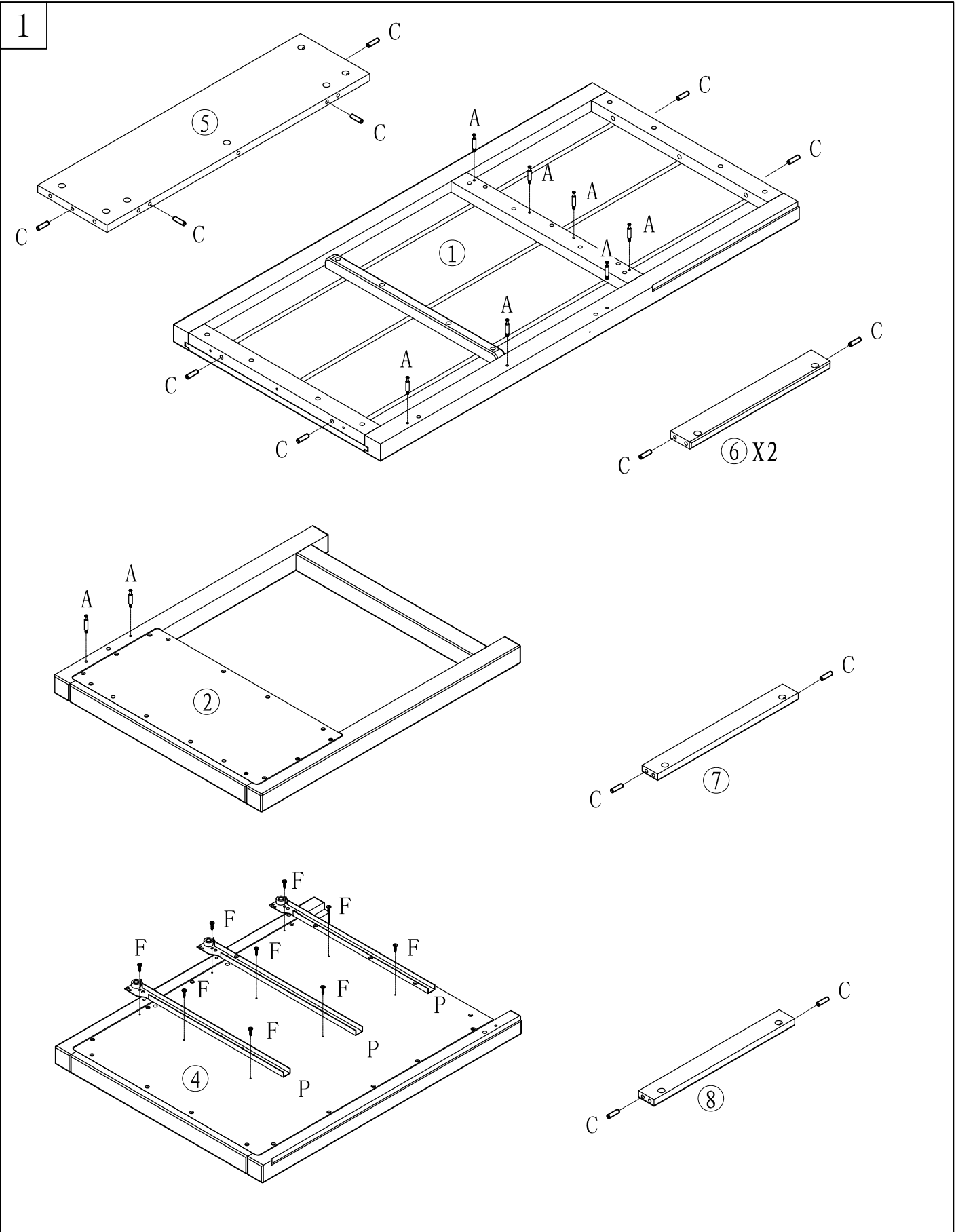
ALEX DESK

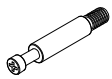
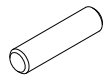
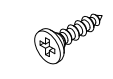
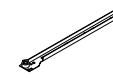
AXBU1319

MONTAGE AANWIJZING
NOTICE DE MONTAGE
MONTAGE ANLEITUNG
ASSEMBLY INSTRUCTIONS

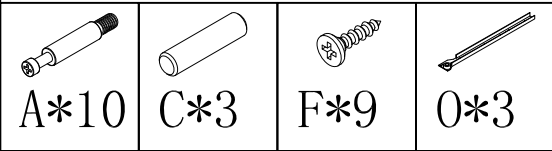
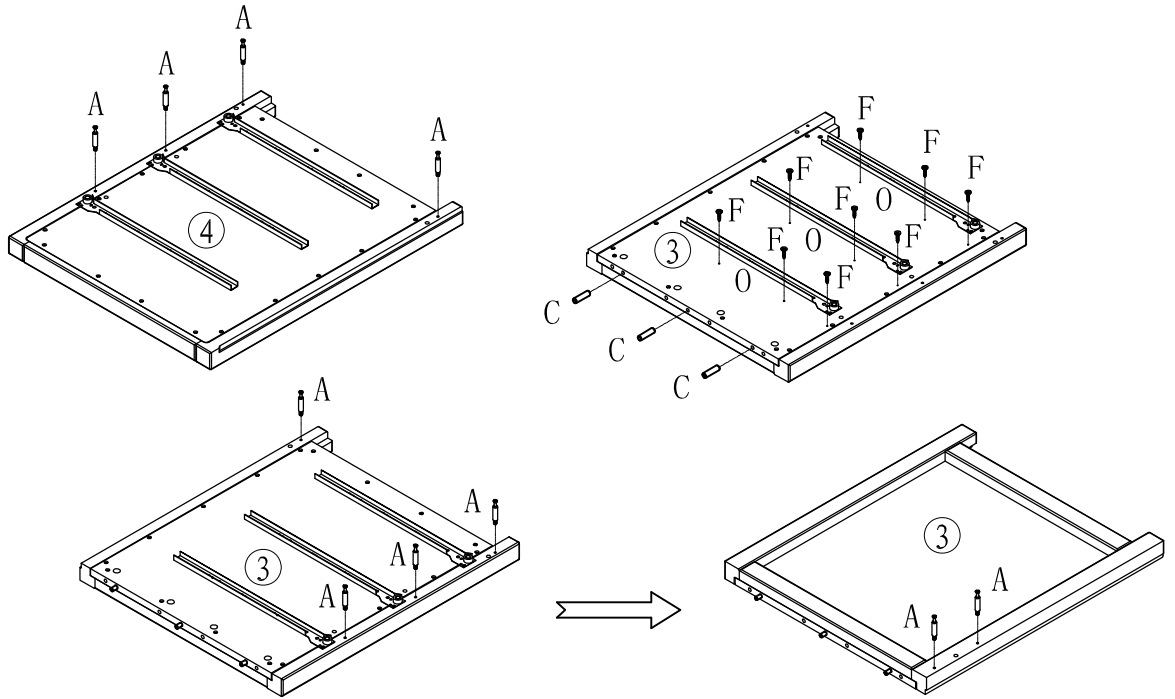




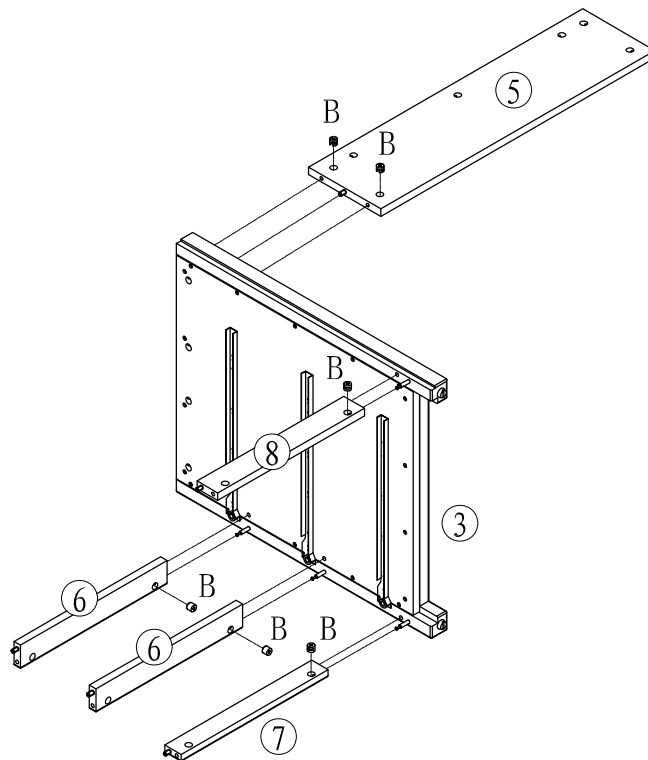


			
A*9	C*16	F*9	P*3

2

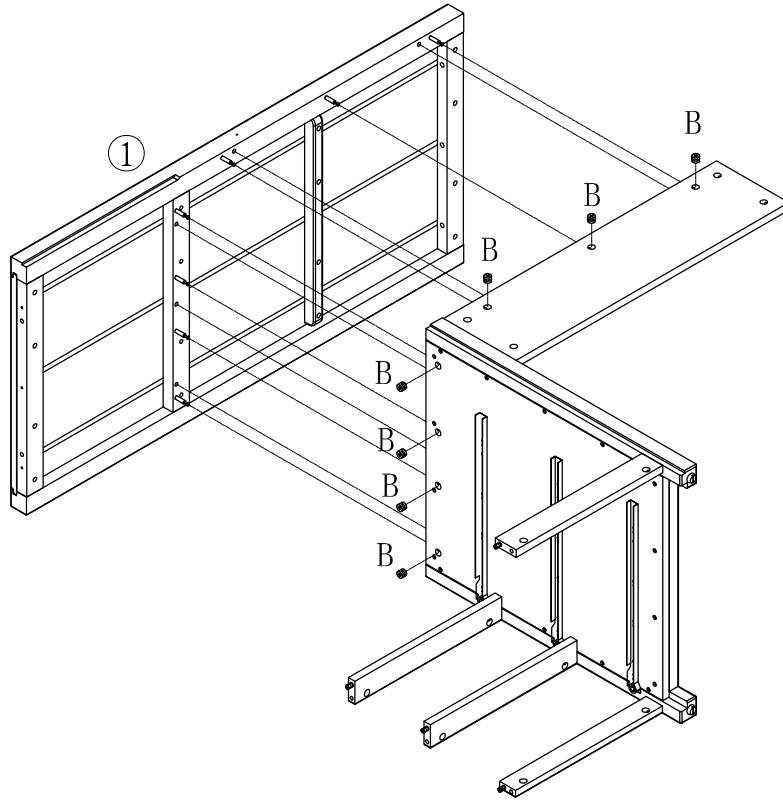


3

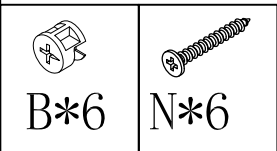
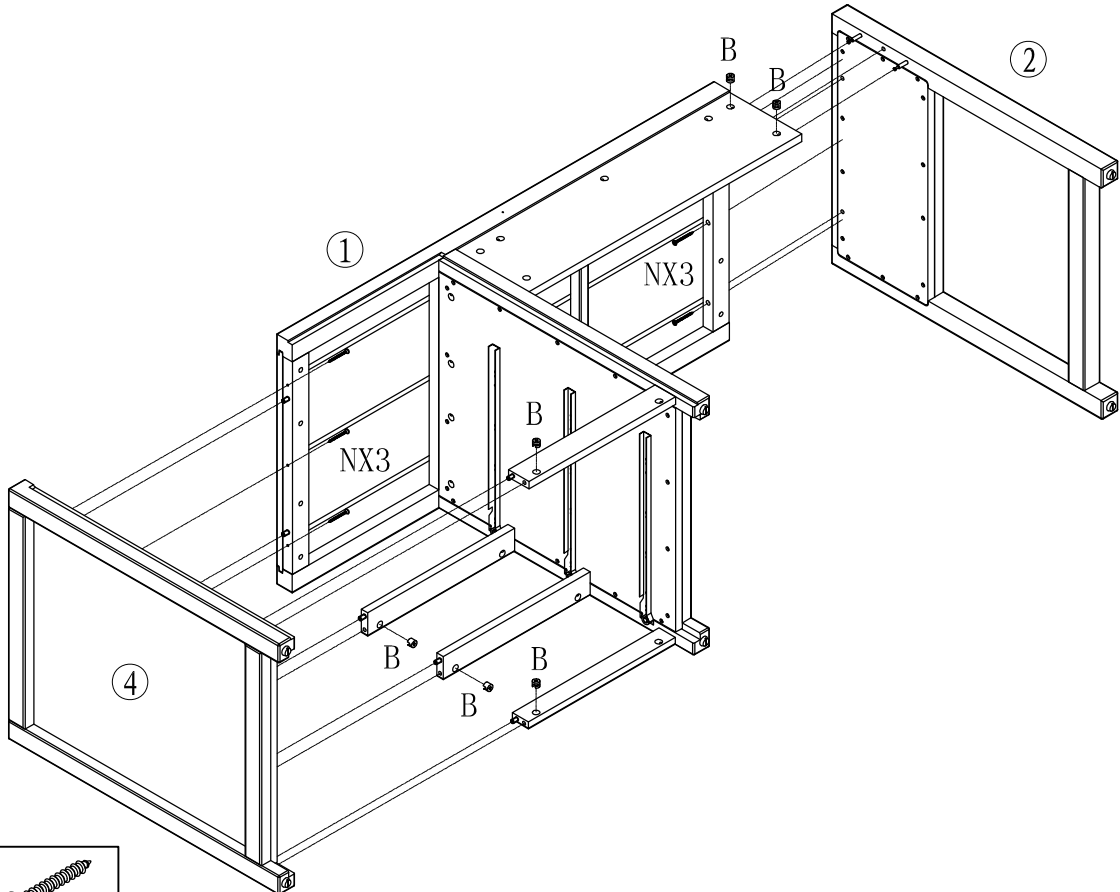


B*6

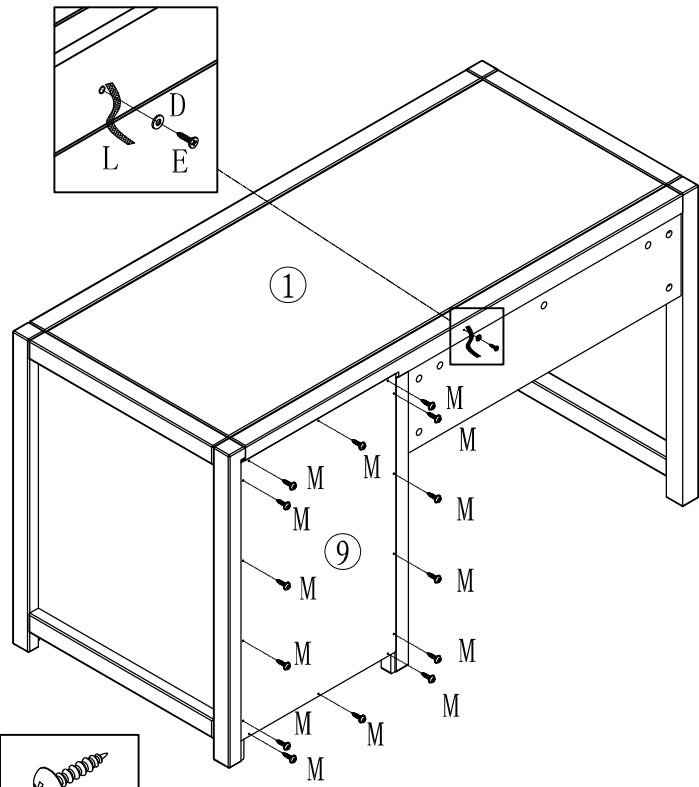
4







5

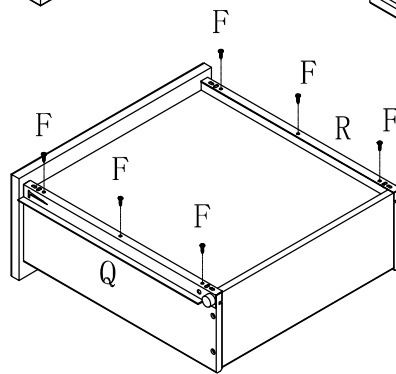
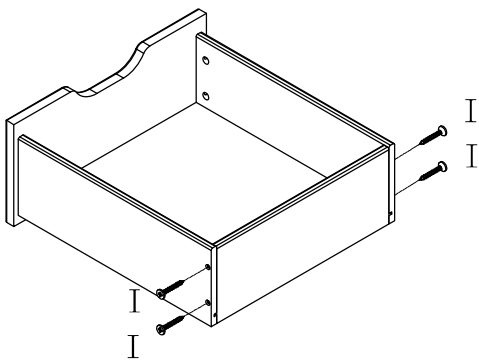
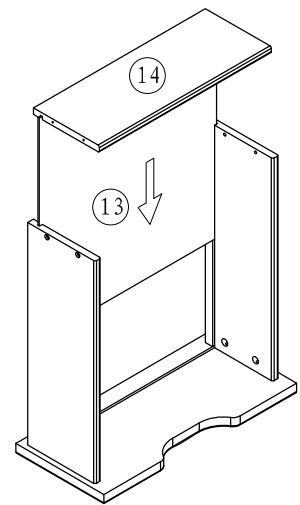
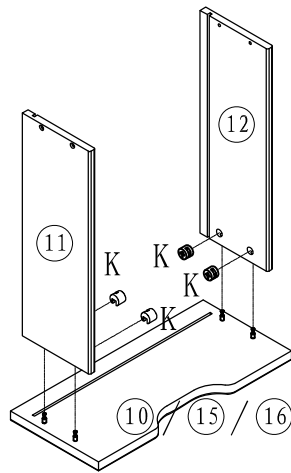
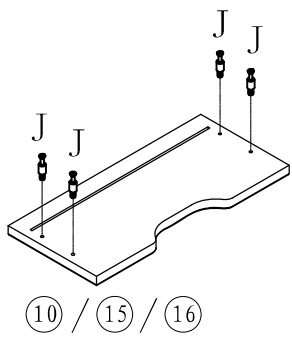


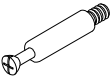

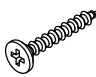
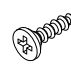


6



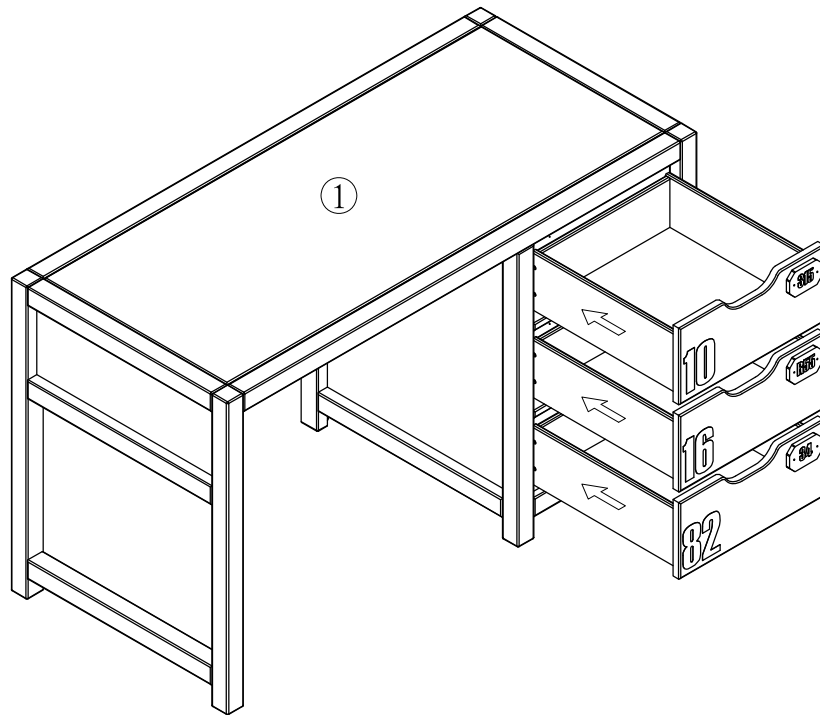
			
D*1	E*1	L*1	M*14

7

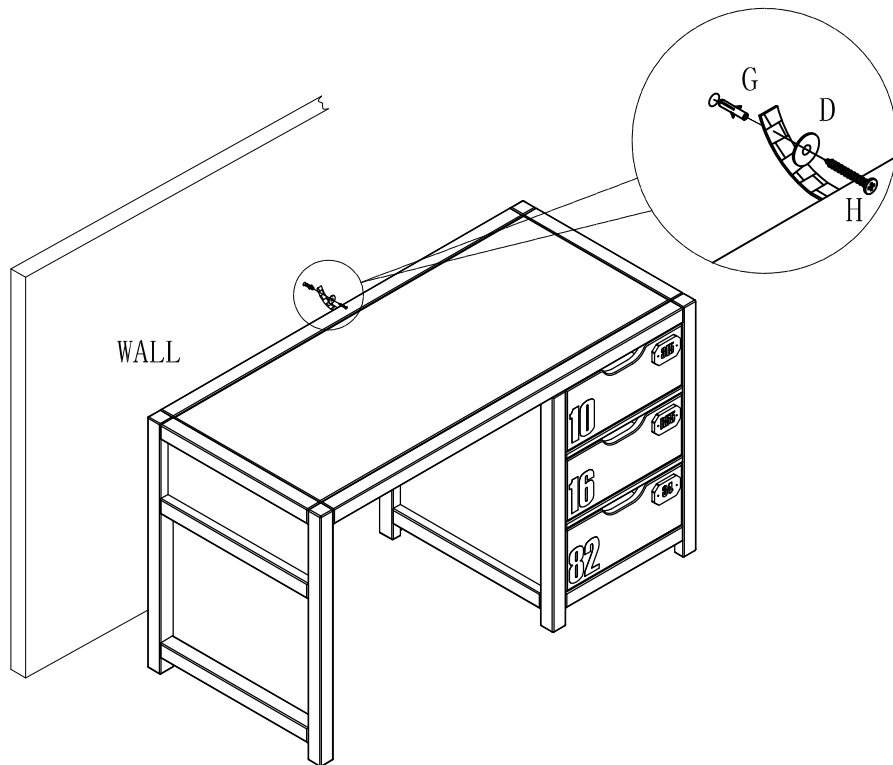




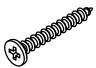
					
J*12	K*12	I*12	F*18	Q*3	R*3

8



9



		
D*1	G*1	H*1

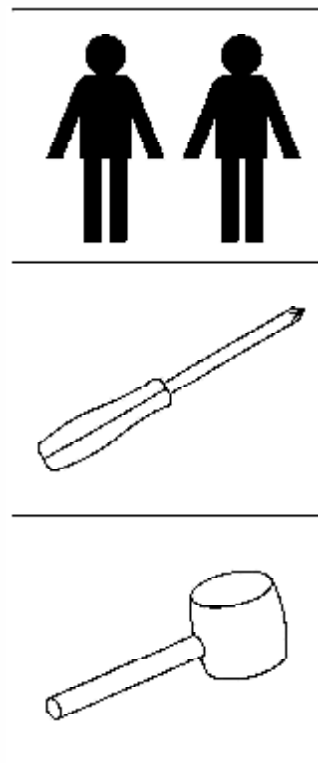
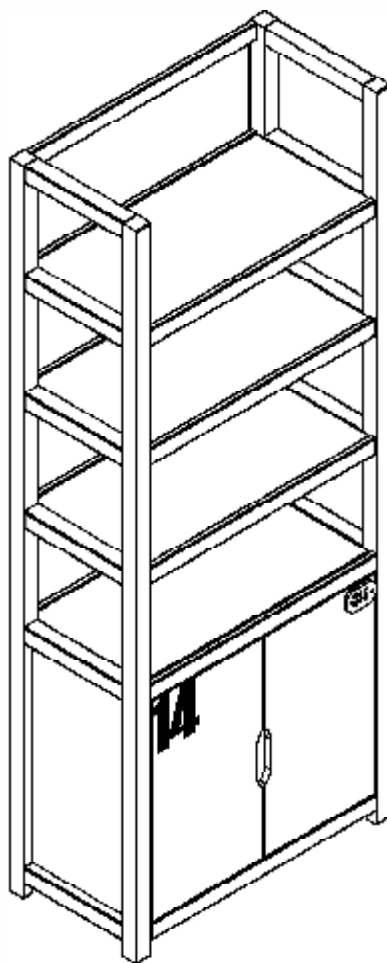


VIPACK
FURNITURE

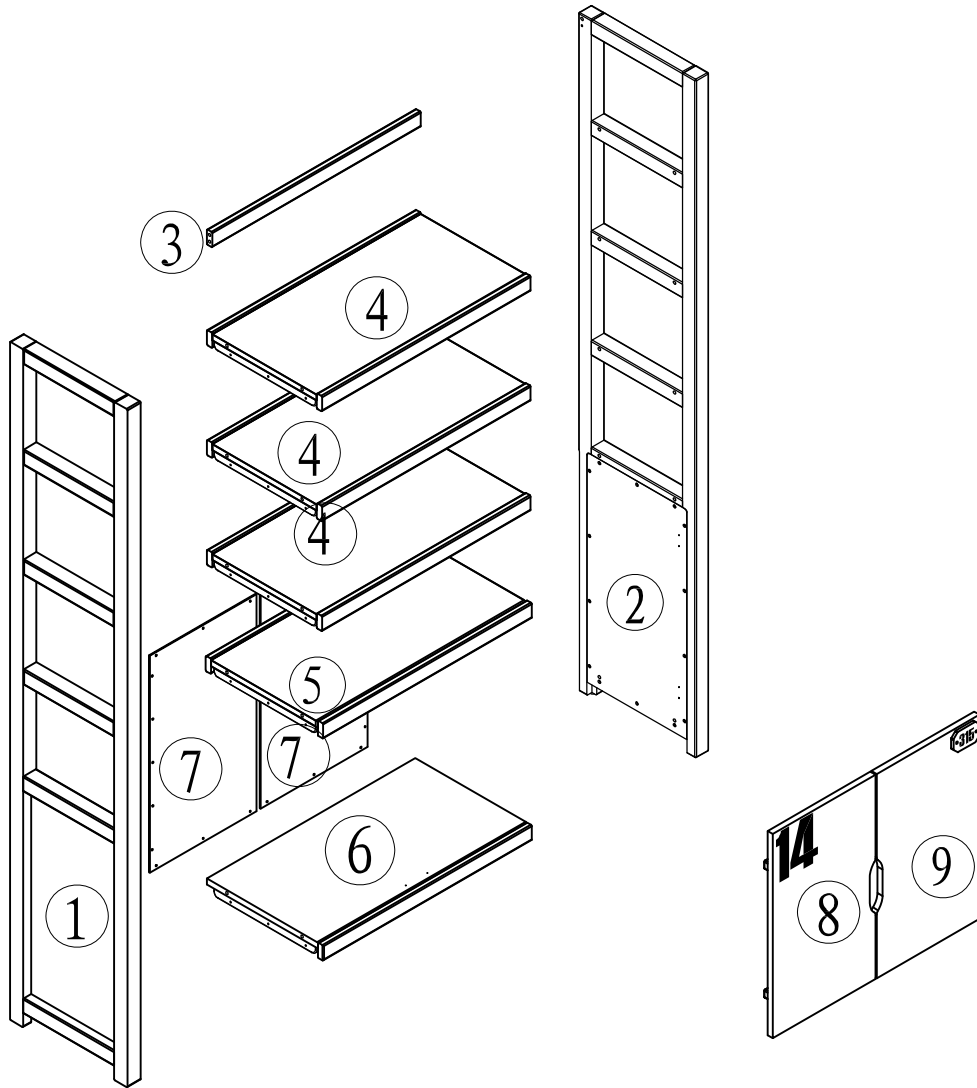
Deken Debostraat 70a B-8791 Beveren-Leie

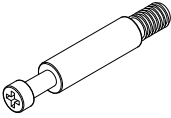

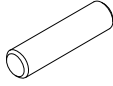
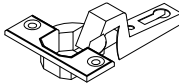
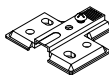
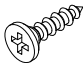

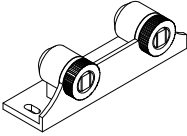
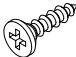
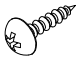




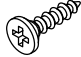
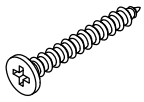
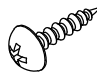
ALEX BOOKCASE AXBI2219

MONTAGE AANWIJZING
NOTICE DE MONTAGE
MONTAGE ANLEITUNG
ASSEMBLY INSTRUCTIONS

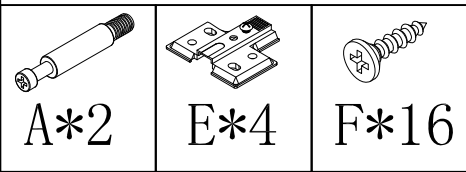
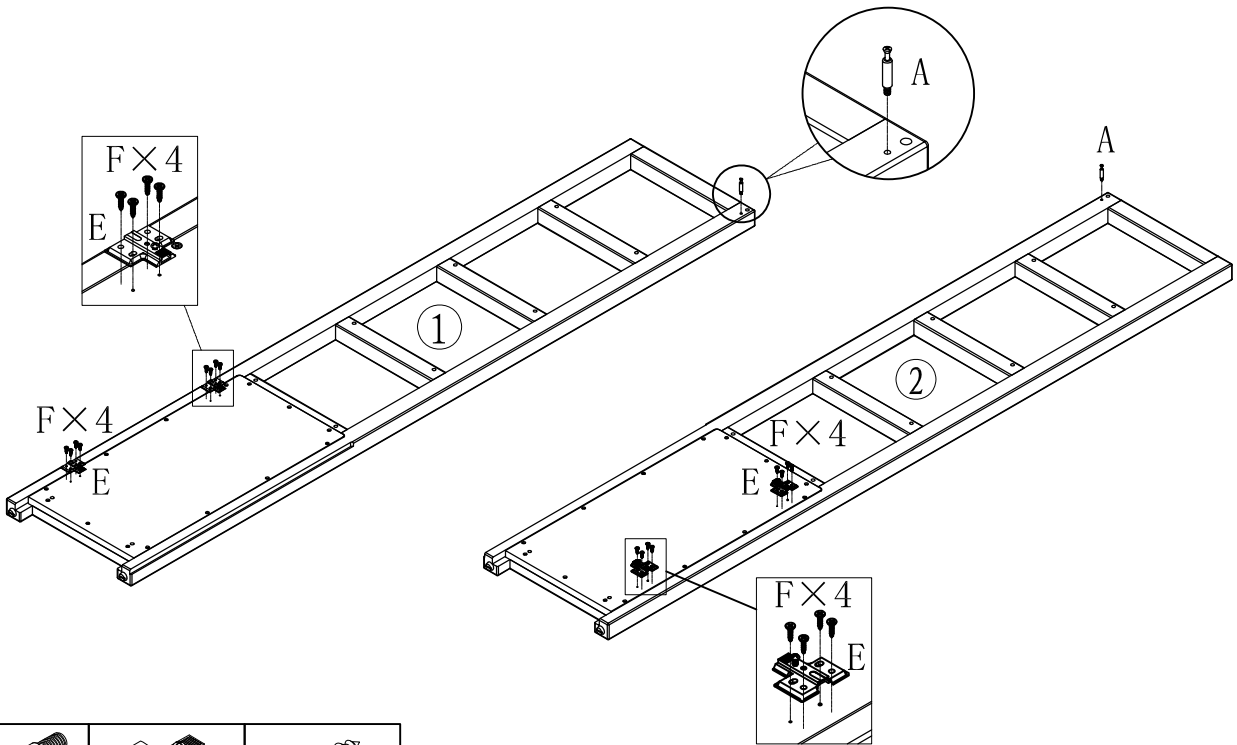


RB00174-1

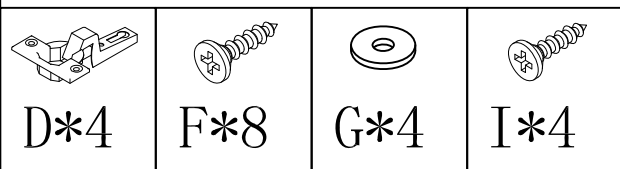
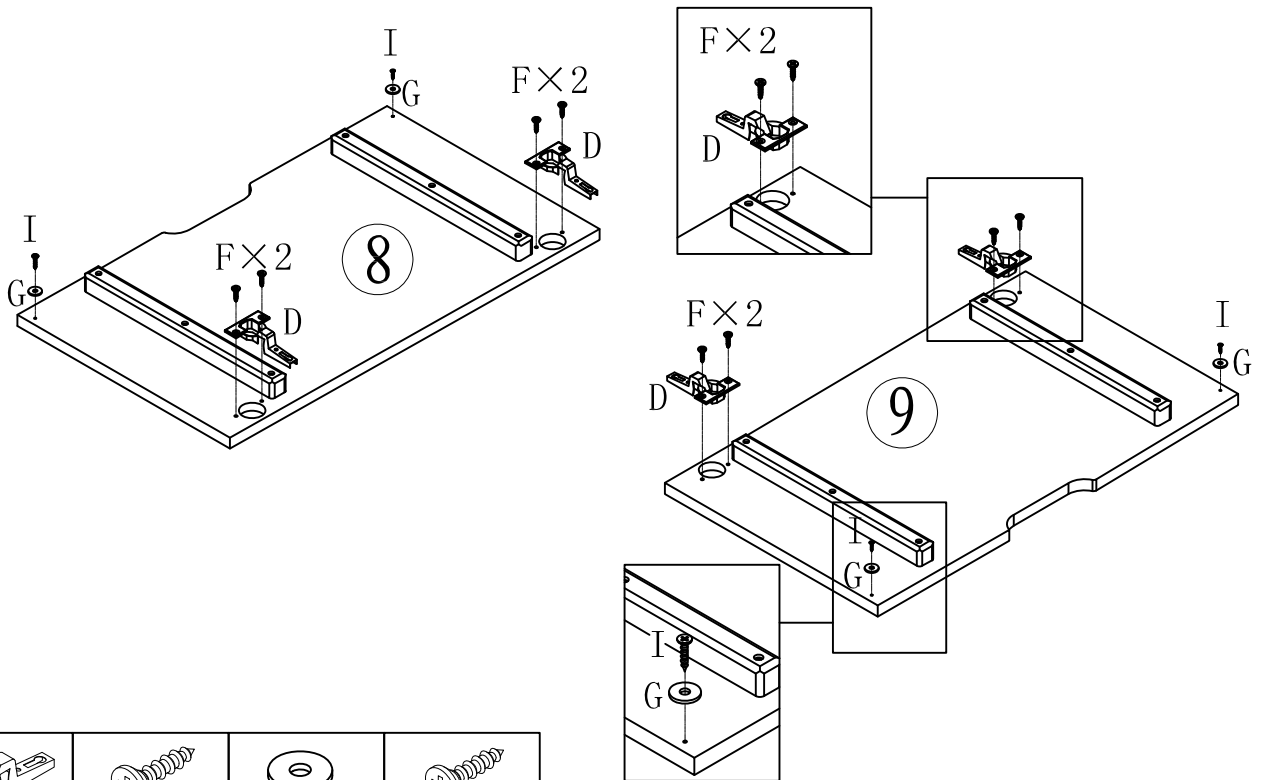


					
($\varnothing 15$)	($\varnothing 15$)	($\varnothing 8 \times 30\text{mm}$)			($\varnothing 3.5 \times 15\text{mm}$)
A \times 2	B \times 2	C \times 22	D \times 4	E \times 4	F \times 24
					
G \times 4	H \times 2	($\varnothing 3.0 \times 12\text{mm}$)	($\varnothing 3.0 \times 12\text{mm}$)	($\varnothing 6 \times \varnothing 18$)	(L=608mm)
		I \times 4	J \times 4	K \times 2	L \times 1
					
M \times 1	N \times 1	($\varnothing 3.5 \times 15\text{mm}$)	($\varnothing 3.5 \times 30\text{mm}$)	($\varnothing 3.0 \times 15\text{mm}$)	
		O \times 1	P \times 31	Q \times 22	

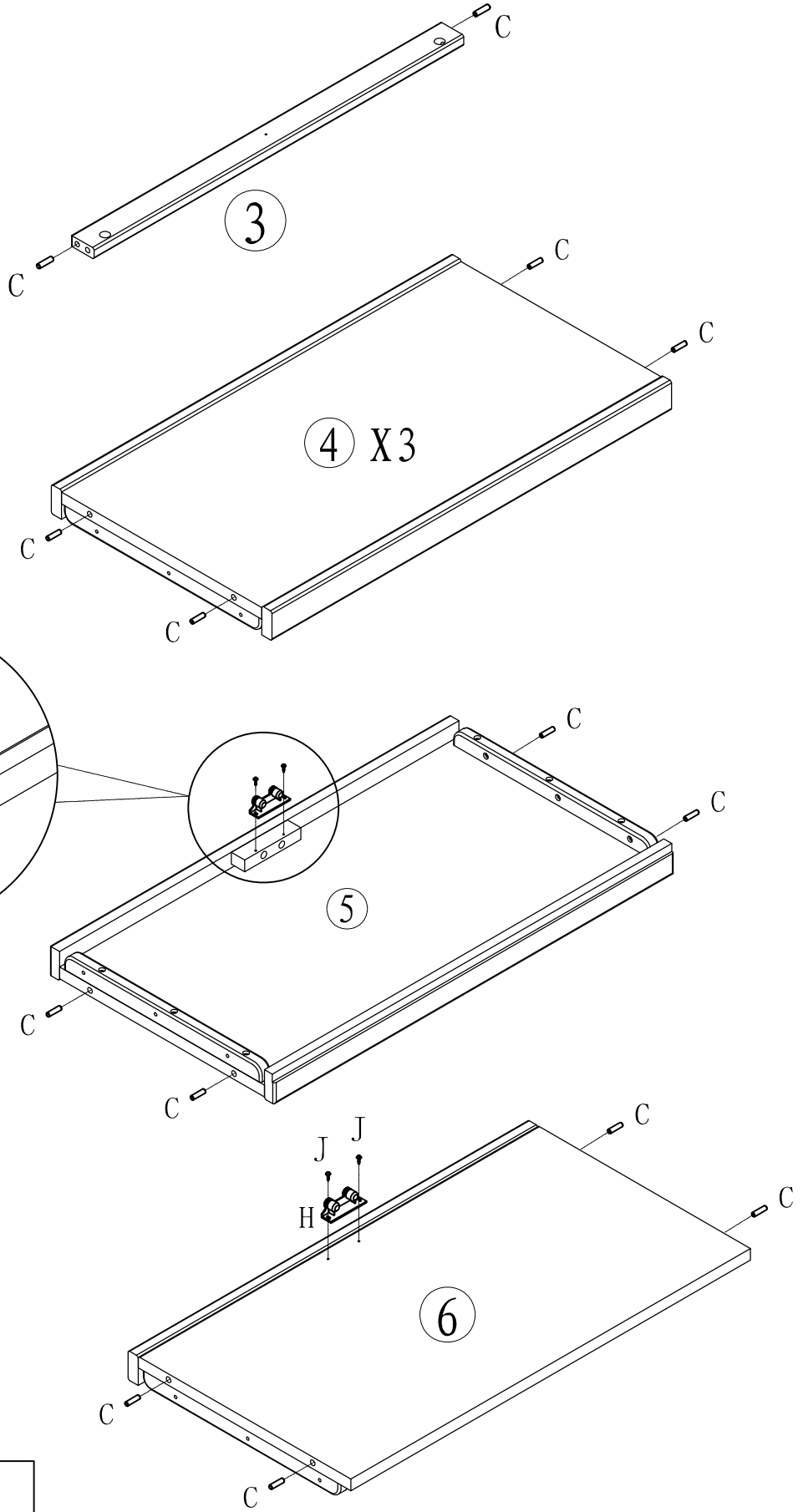
1

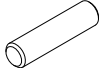
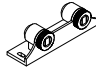
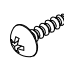


2

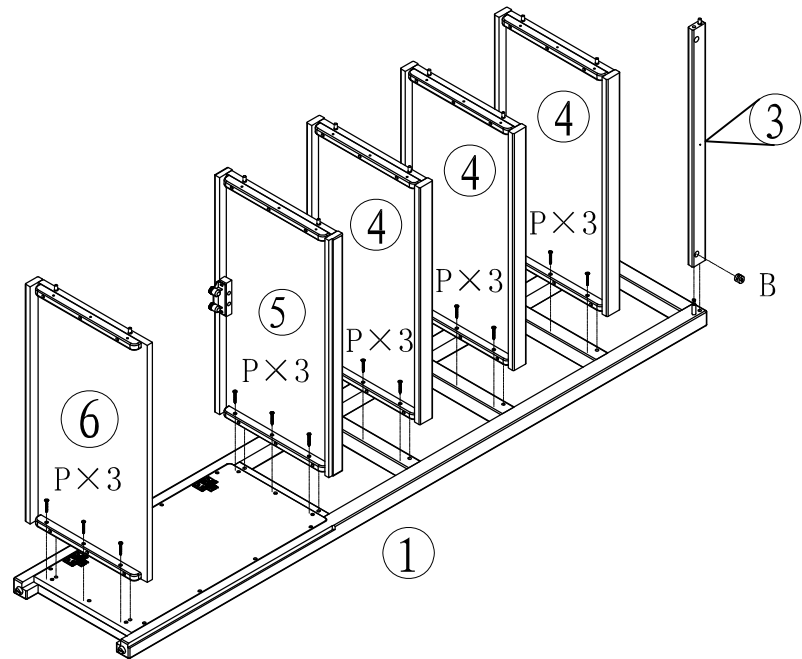


3

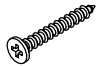


		
C*22	H*2	J*4

4

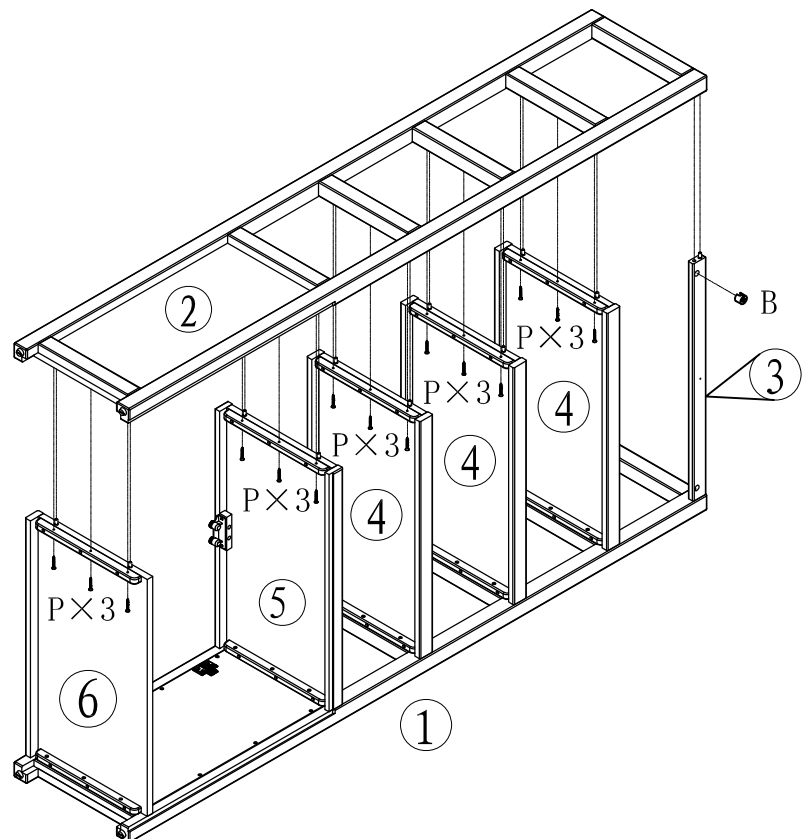


B*1

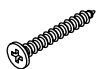


P*15

5

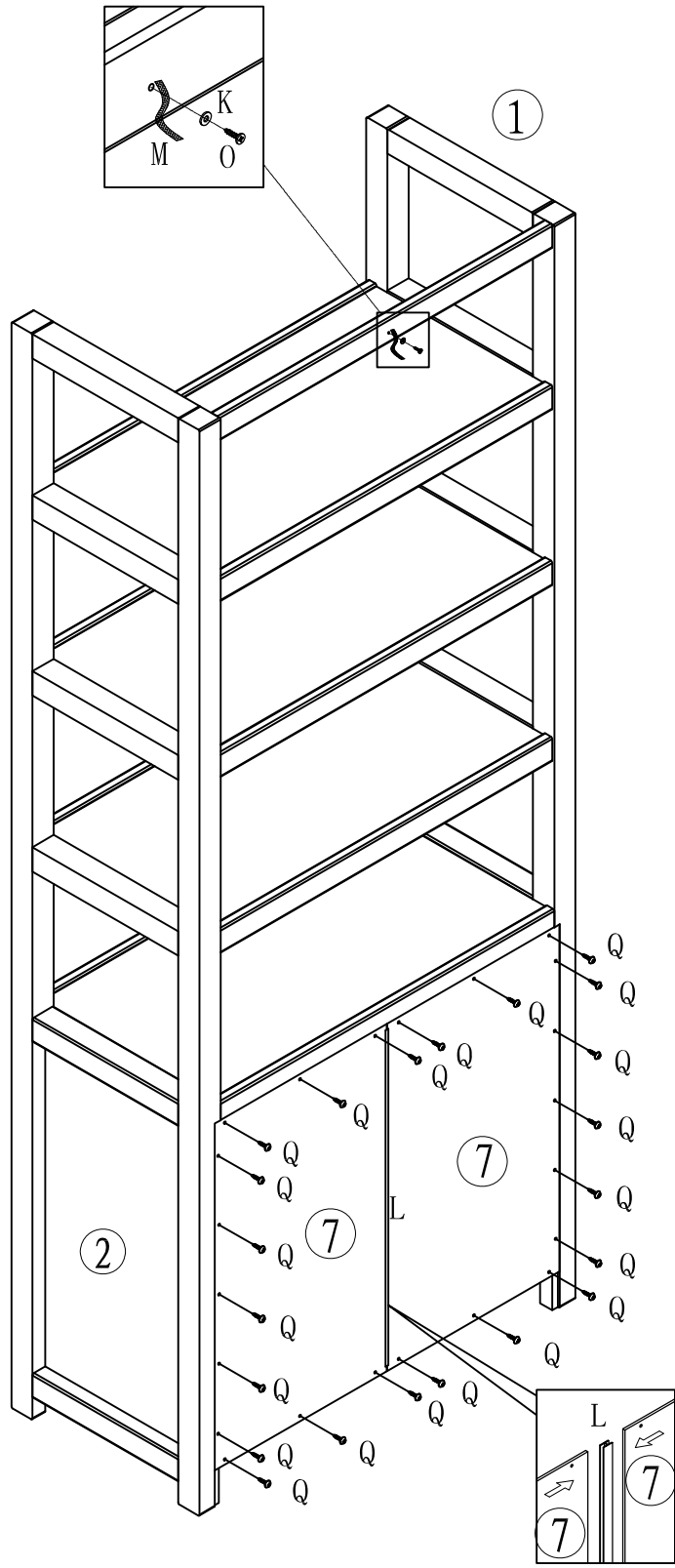







B*1



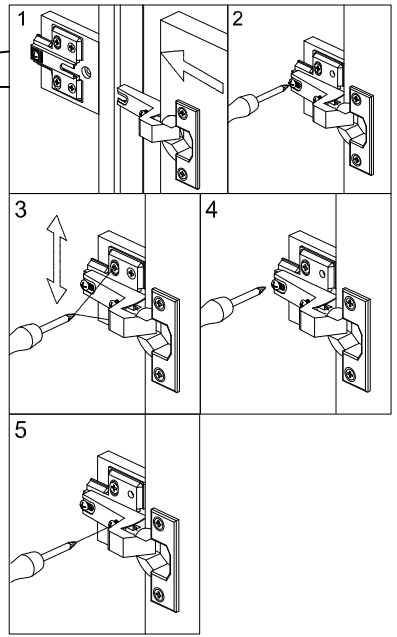
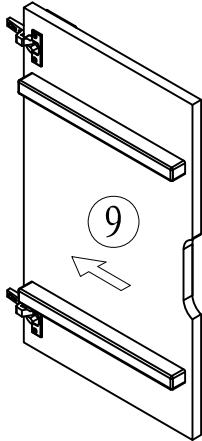
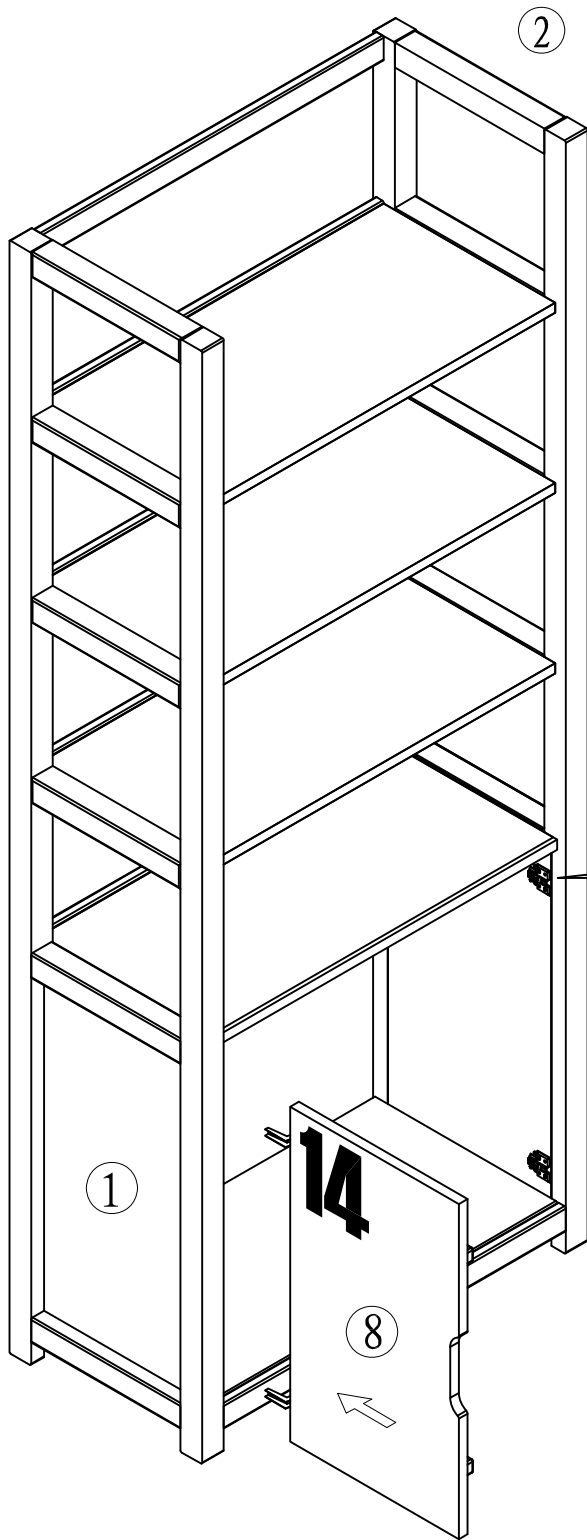
P*15

6

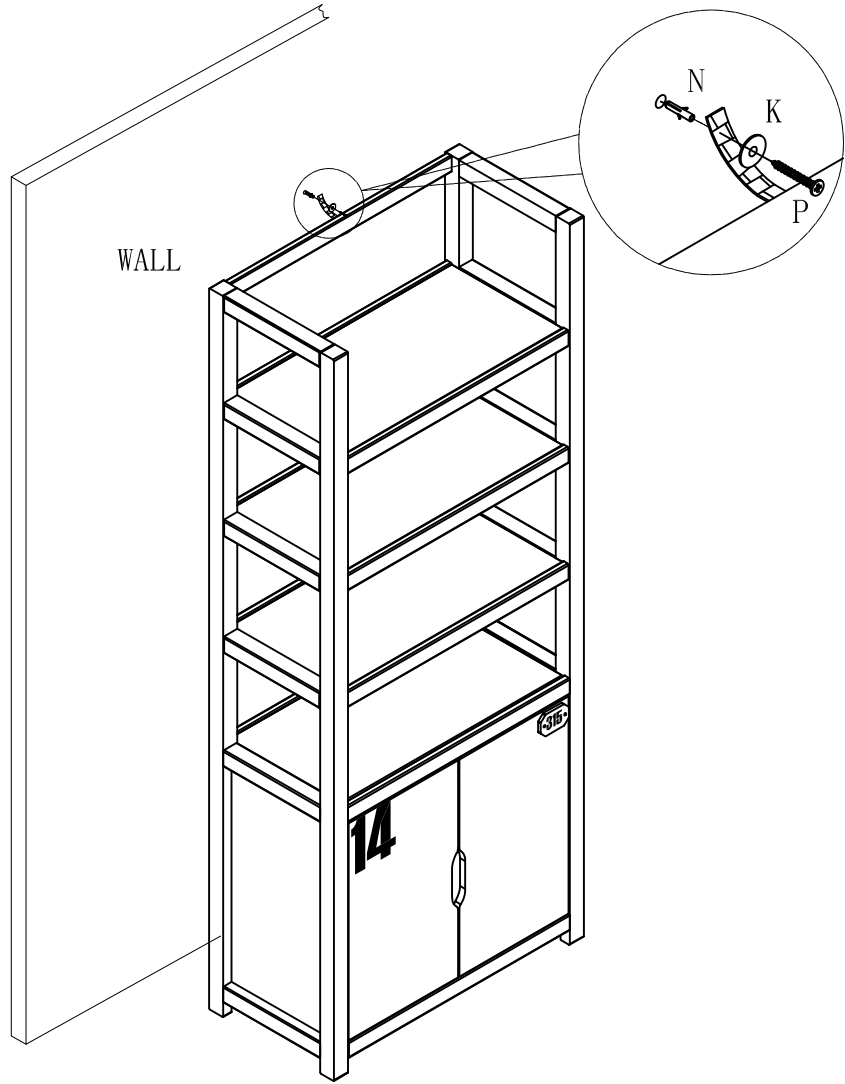


 K*1	 L*1	 M*1	 O*1	 Q*22
--	--	--	--	---

7



8



K*1



N*1



P*1