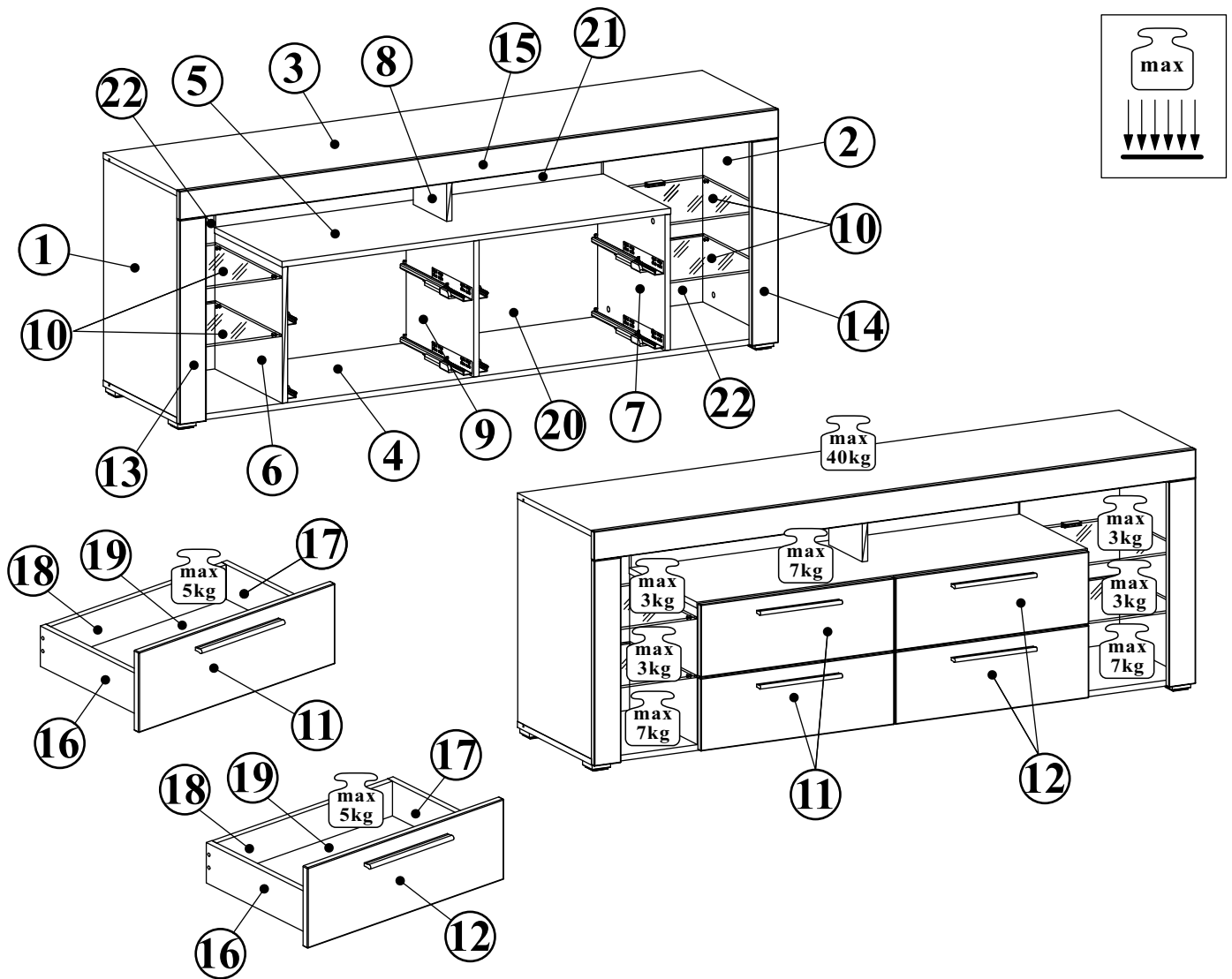
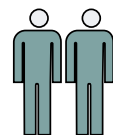
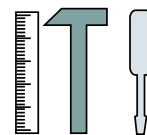


# GOAL 3 83-677-\_\_-6

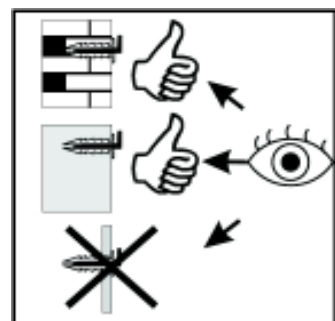
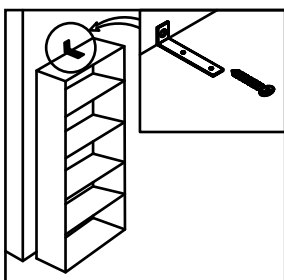
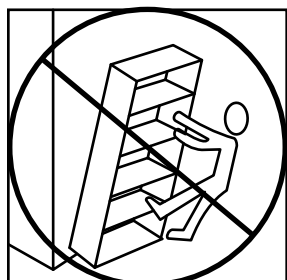
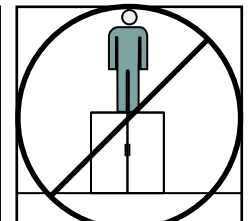
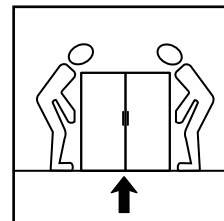
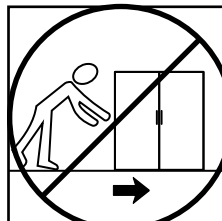
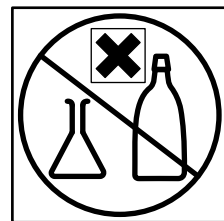
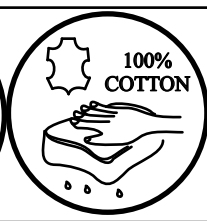
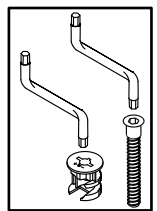
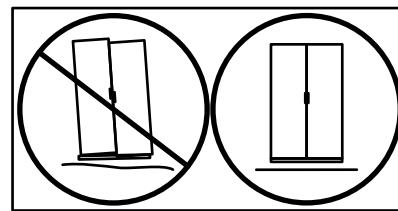
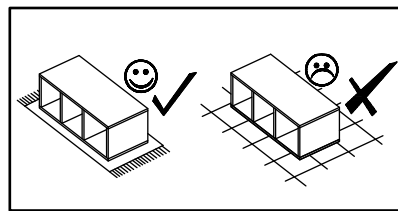
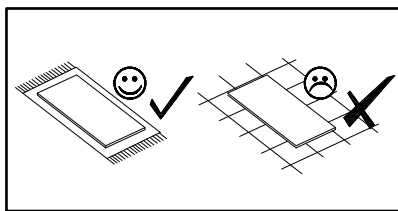
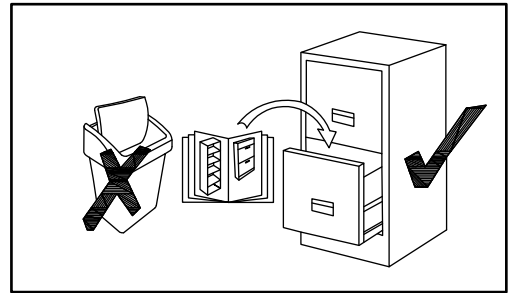
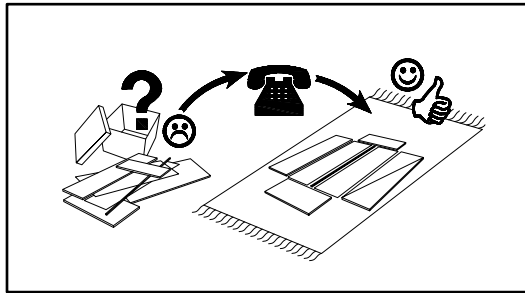
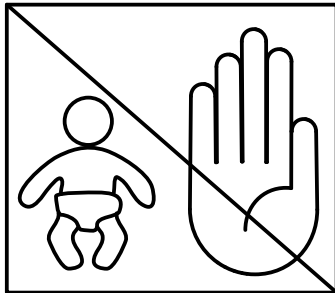
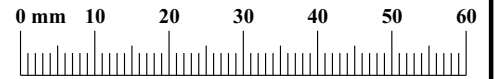



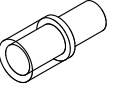
NO	Dim.		Qty	Qty
1	610	424	1	1
2	610	424	1	1
3	1790	424	1	1
4	1790	424	1	1
5	1162	388	1	1
6	374	388	1	1
7	374	388	1	1
8	220	192	1	1
9	374	388	1	1
10	380	297	1	4
11	576	199	1	2
12	576	199	1	2
13	563	80	1	1
14	563	80	1	1
15	1791	80	1	1
16	350	100	1	4
17	350	100	1	4
18	516	86	1	4
19	528	354	1	4
20	1768	192	1	1
21	1768	430	1	1

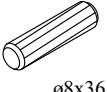


120 min

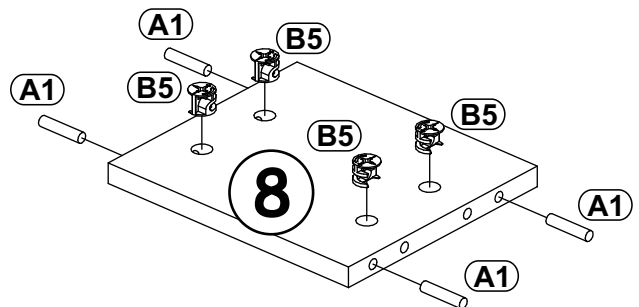
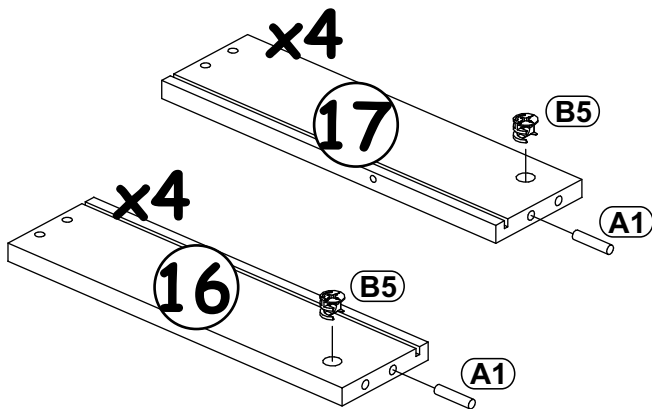
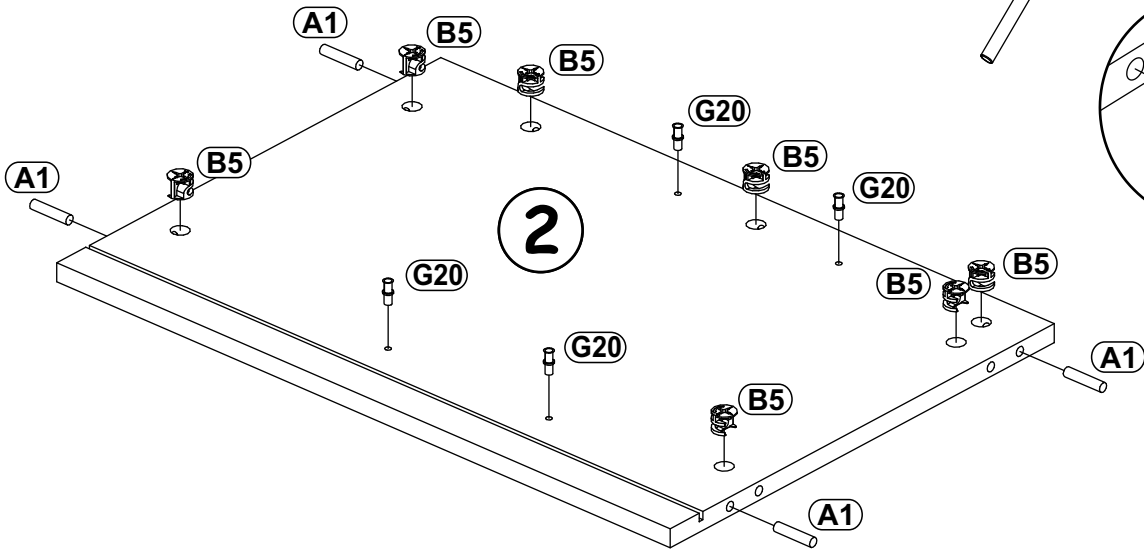
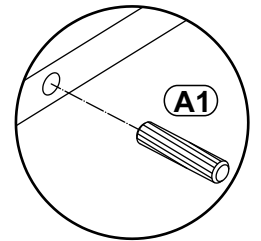
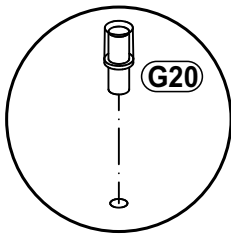
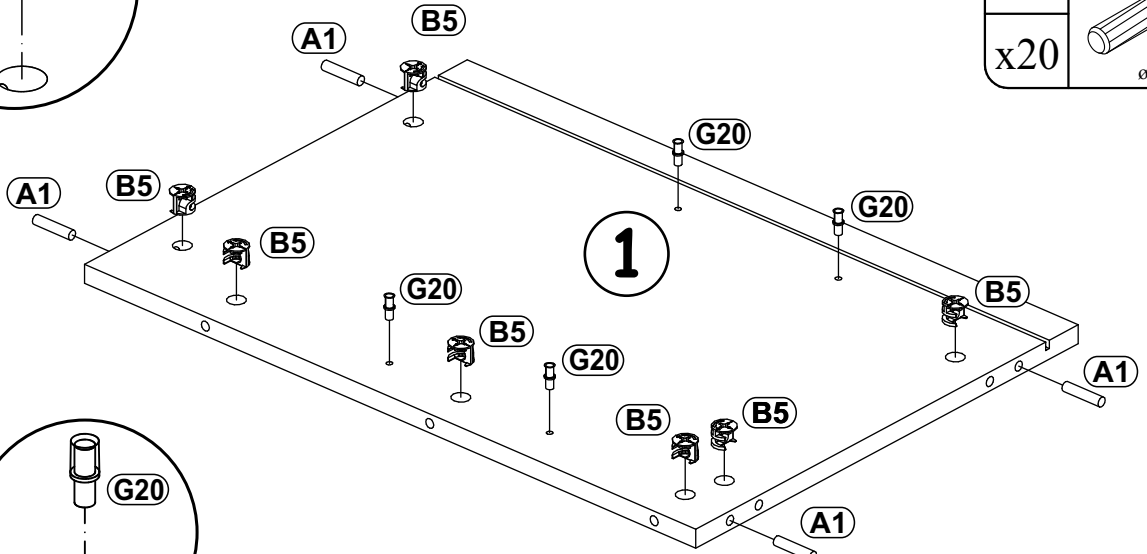
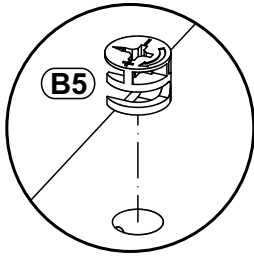
A1 x40 ø8x36	B4 x44	B5 x44 ø15x12	G5 x44	B11 x16 Ø7x50	G4 x16
G20 x16	ST13 x6 55x55x20	D23 x24 USØ3,5x30	UP6 x8 UPØ4x30	KL x4 L-244mm.	L1 x2
KR1 x2	UP13 x30 UPØ3x16	S1 x26	D10 x20 USØ3,5x13	D20 x16 ESØ6,3x9,5	QU x4 L-350
G2 x1	LED x1 x4 x1	G16 x12	G8 x2		




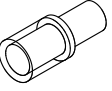
B5		G20	
x26	ø15x12	x8	

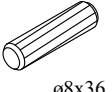
A1	
x20	ø8x36

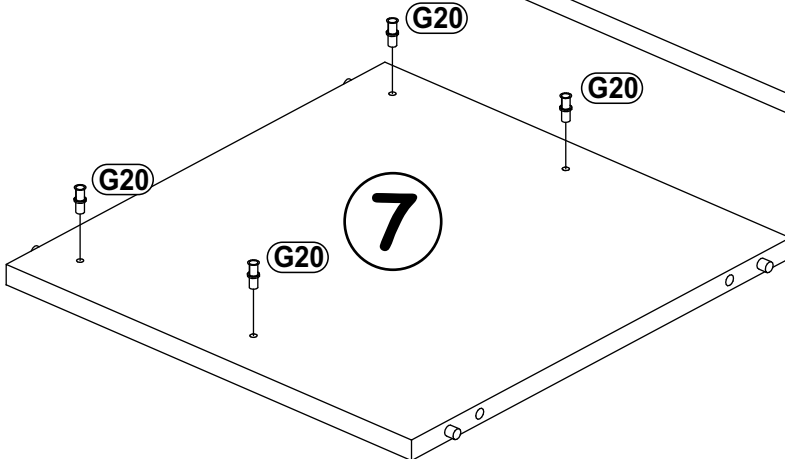
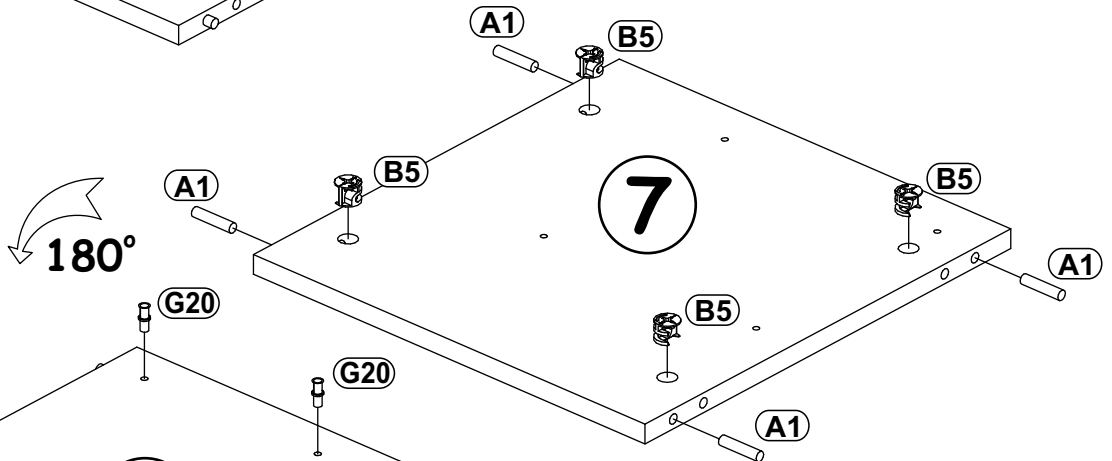
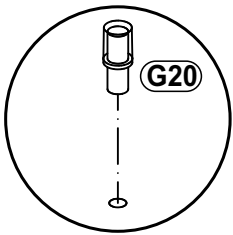
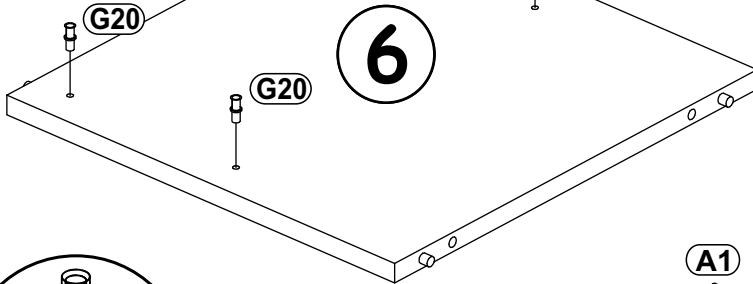
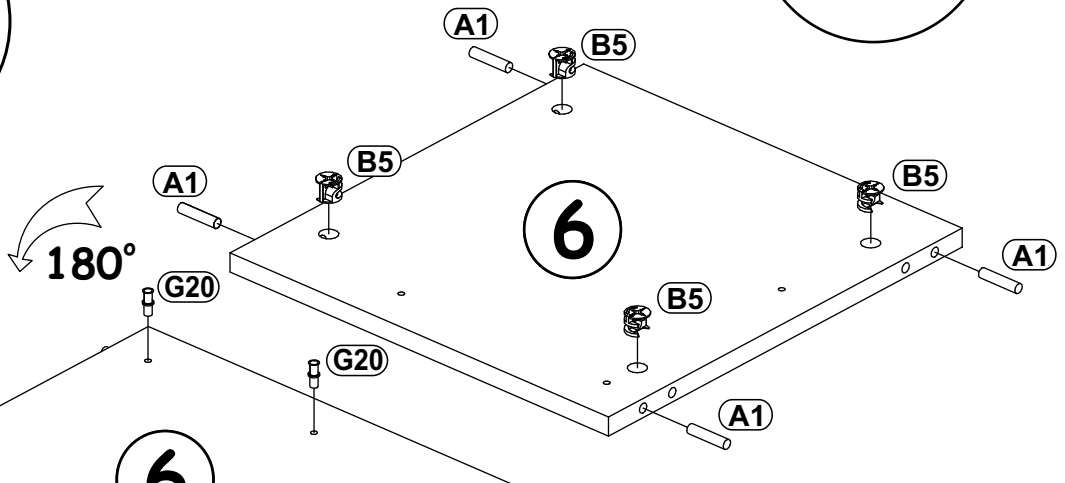
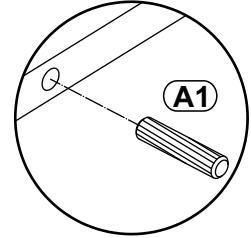
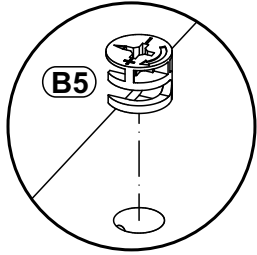
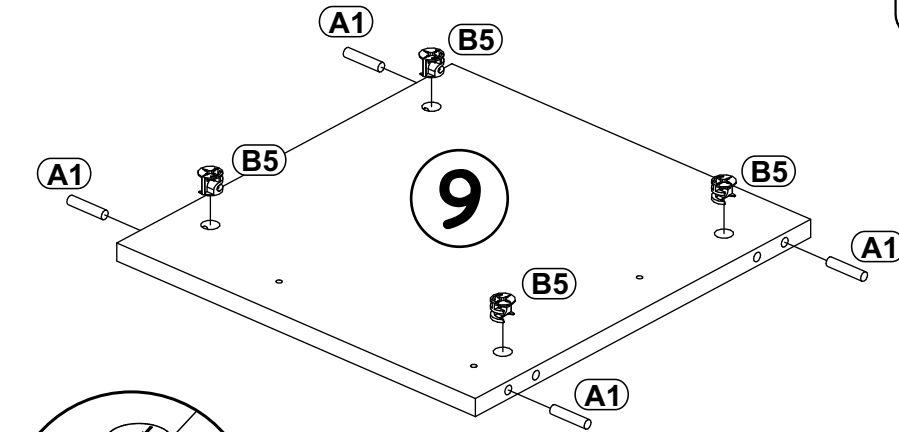
1



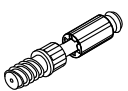
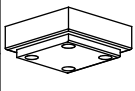

2

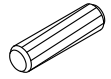
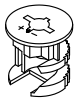
B5		G20	
x12	ø15x12	x8	

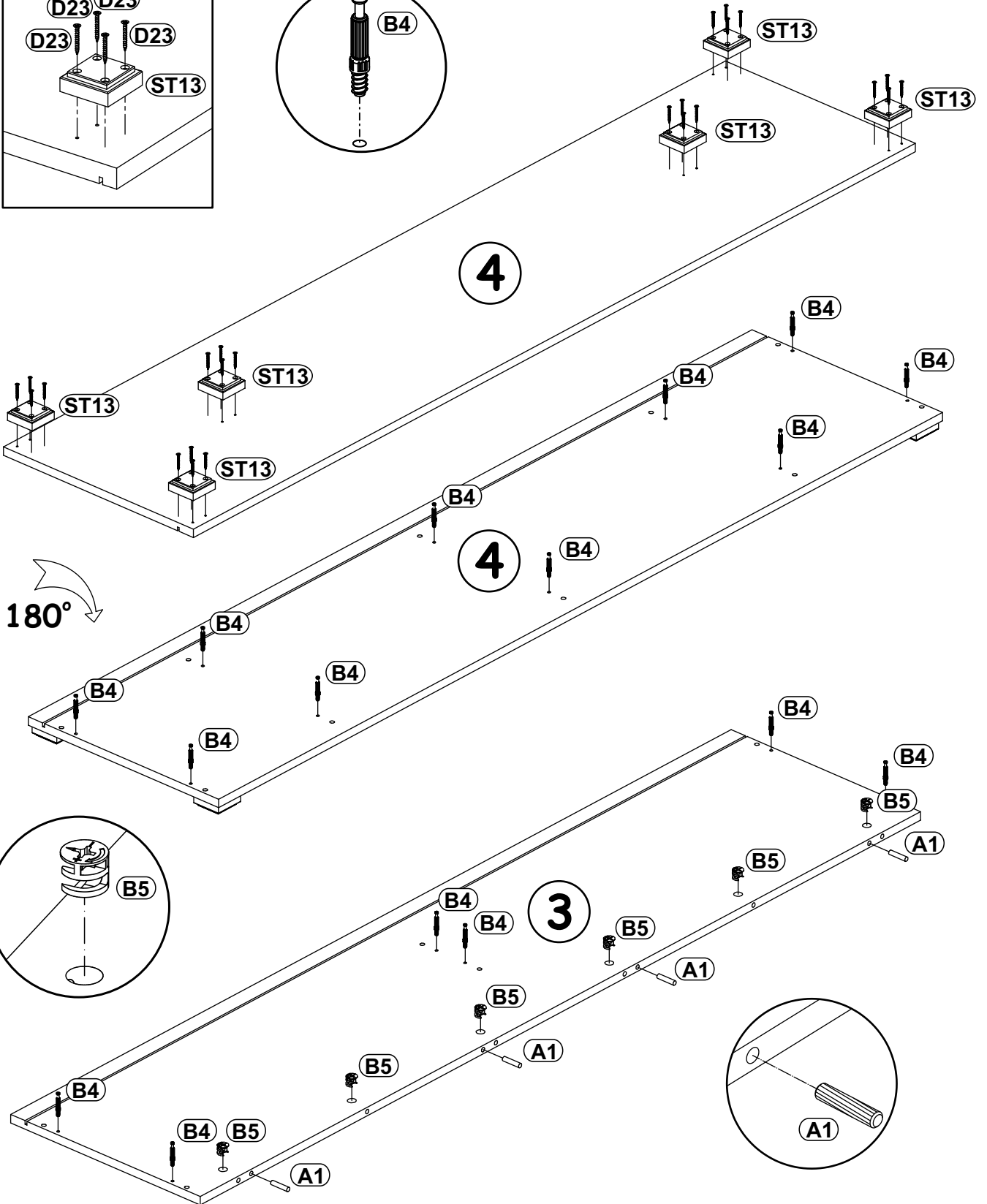
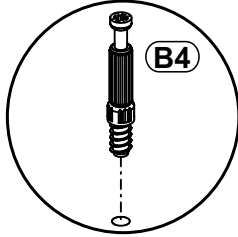
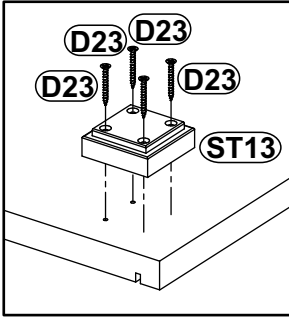
A1	
x12	ø8x36



3

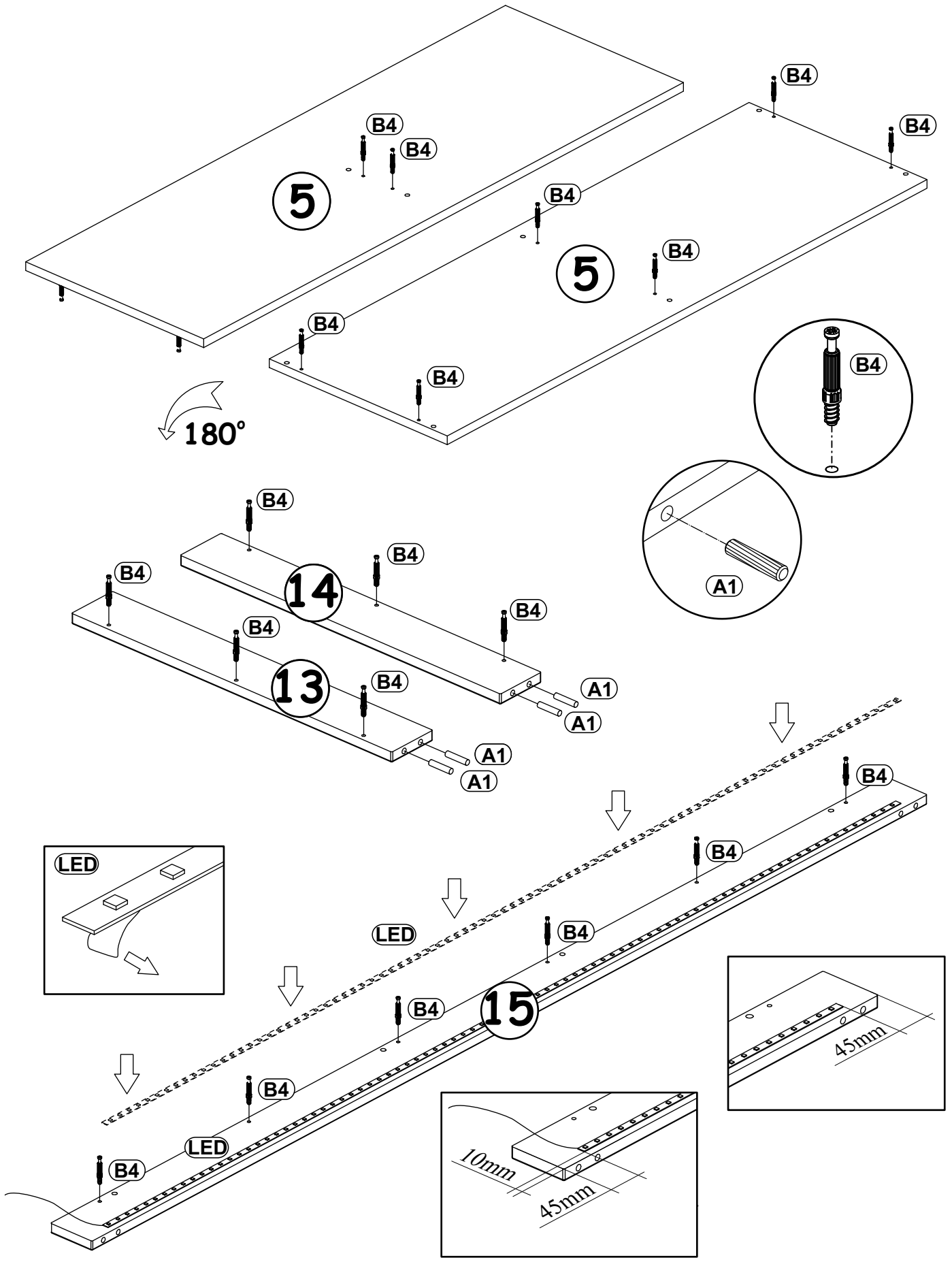
B4		ST13		D23	
x16		x6	55x55x20	x24	USØ3,5x30

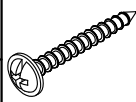
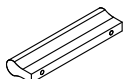
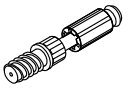
A1		B5	
x4	ø8x36	x6	ø15x12



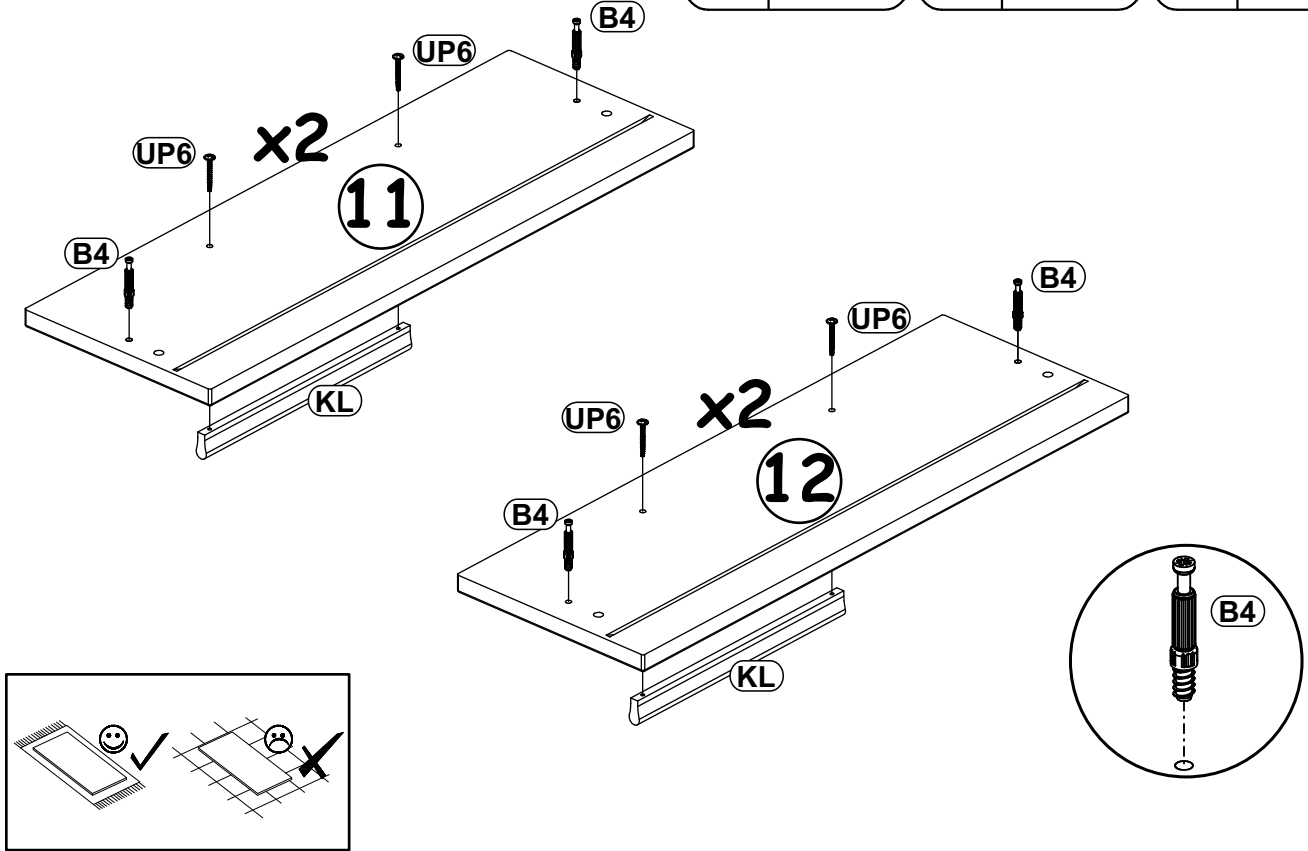
LED		A1		B4	
x1	X4 X1	x4	ø8x36	x20	

4

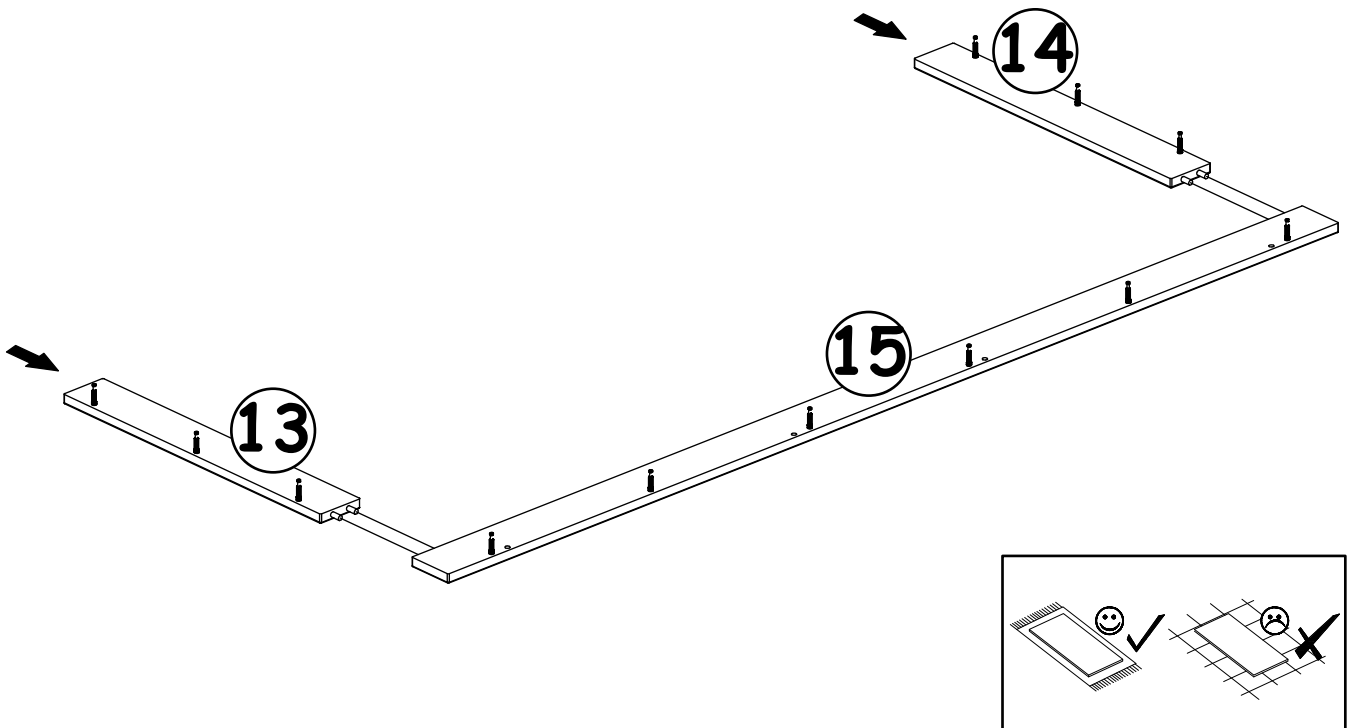


UP6		KL		B4	
x8	UPØ4x30	x4	L-244mm.	x8	

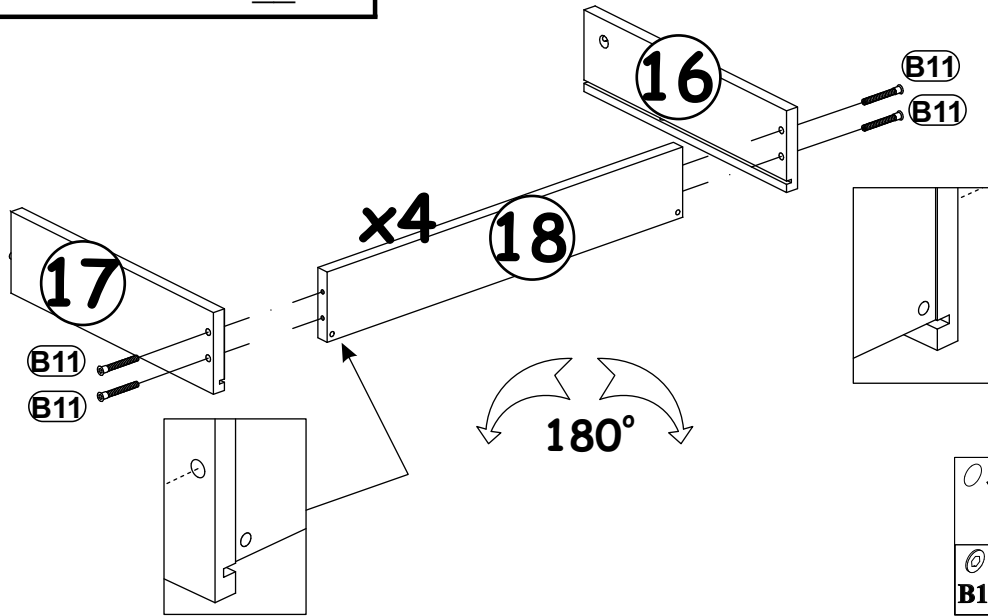
5



6

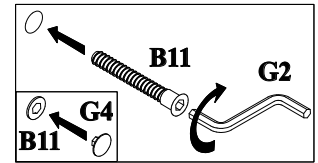


7

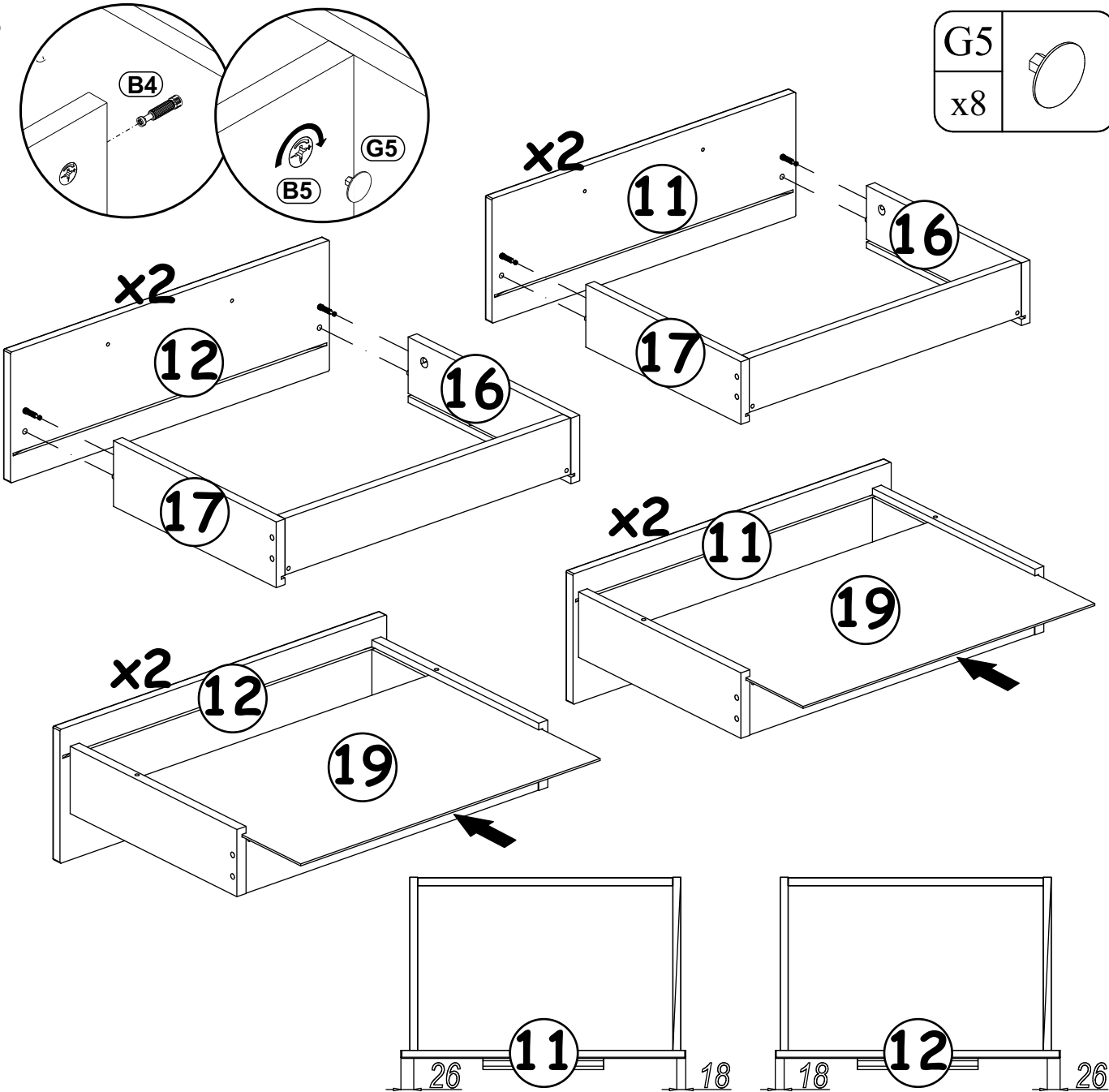


B11	
x16	Ø7x50

G4	
x16	



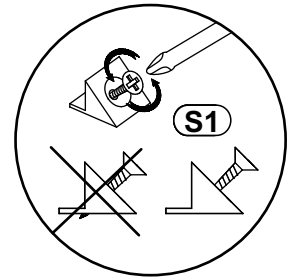
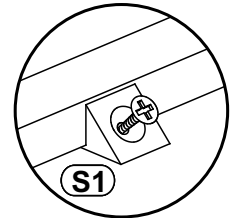
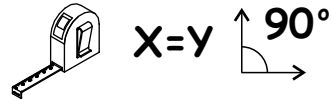
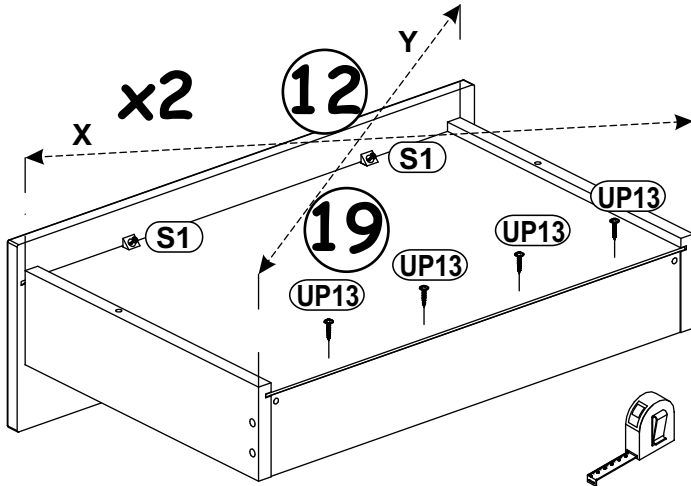
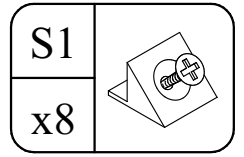
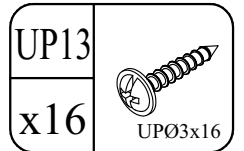
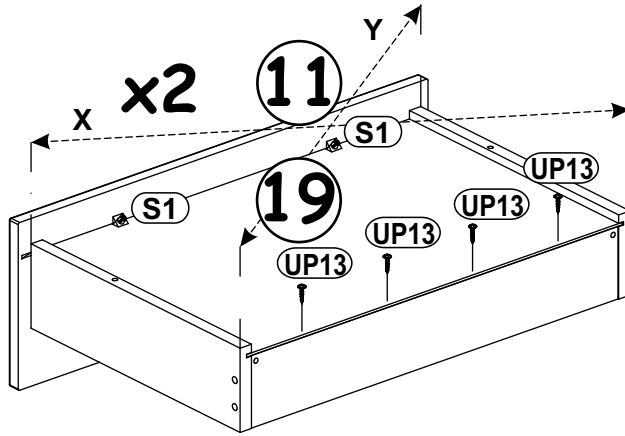
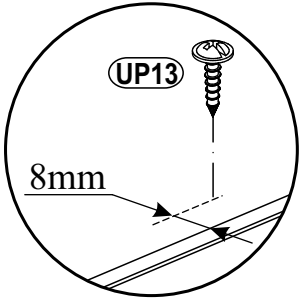
8



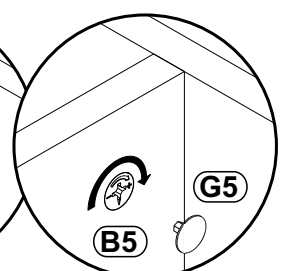
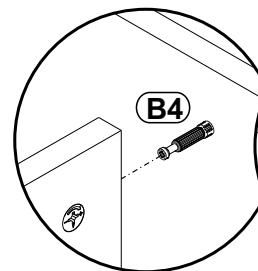
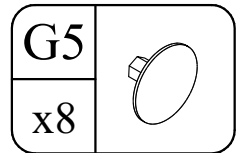
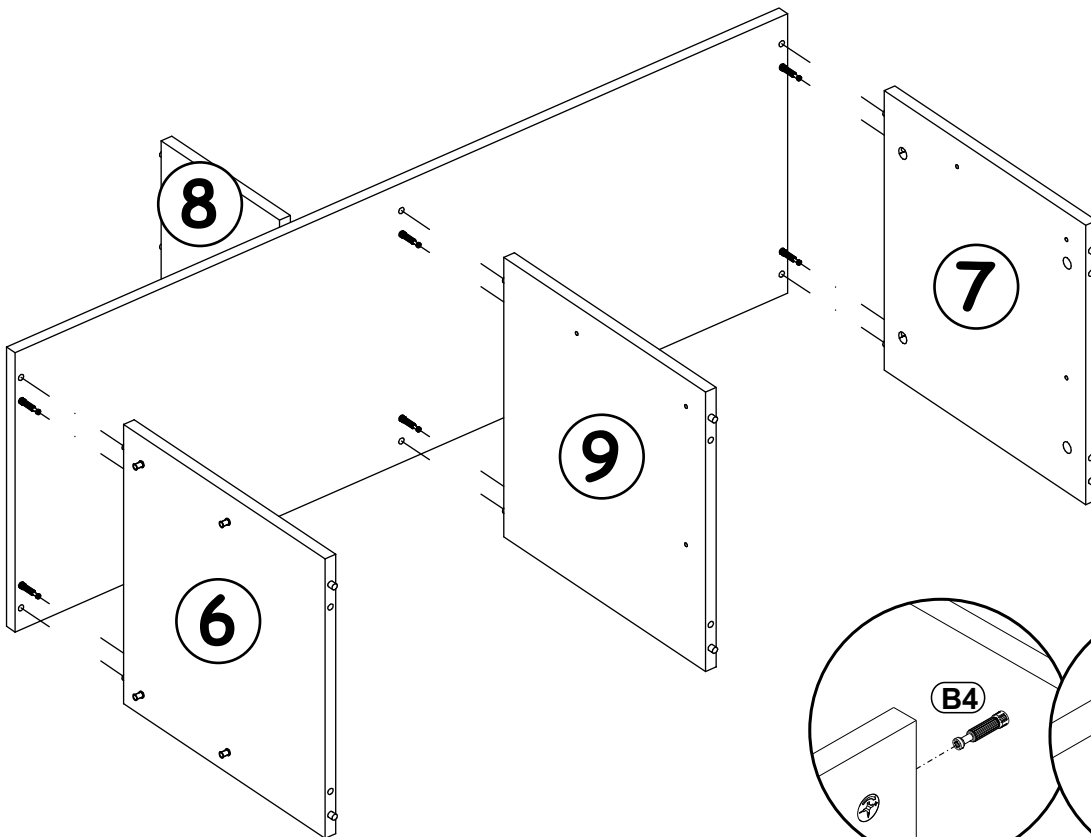
G5	
x8	



9

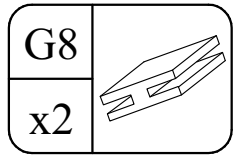
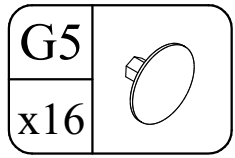
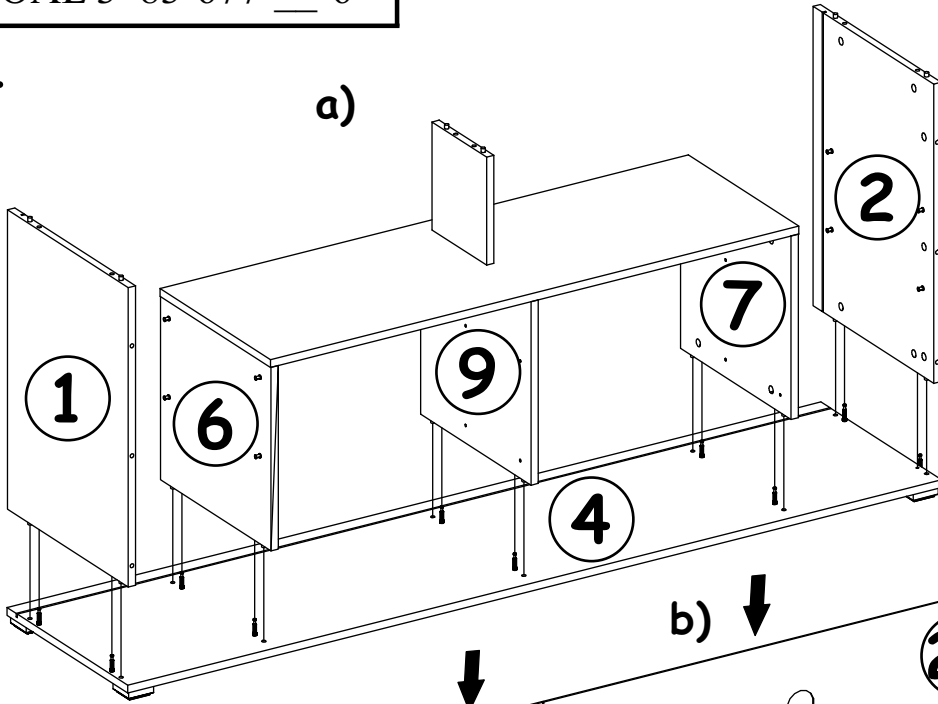


10

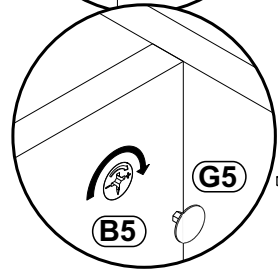
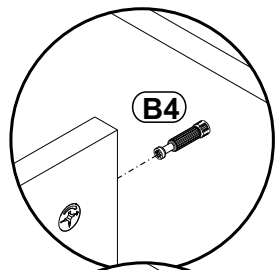
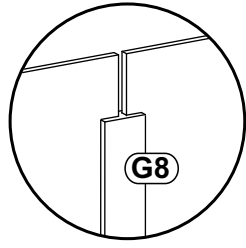
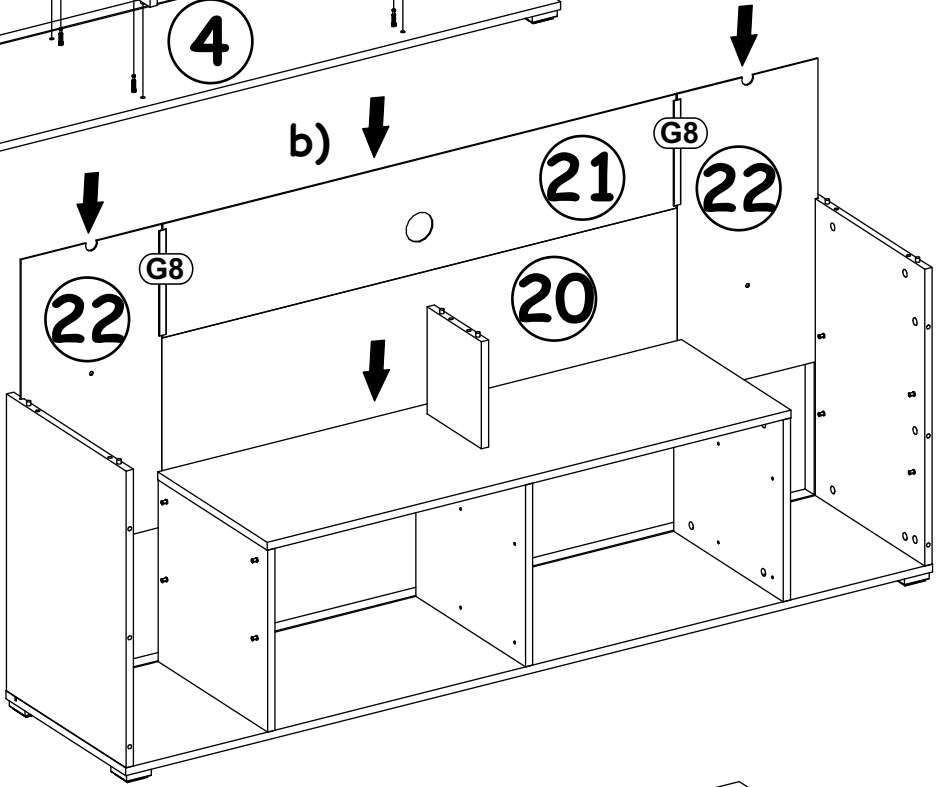


11

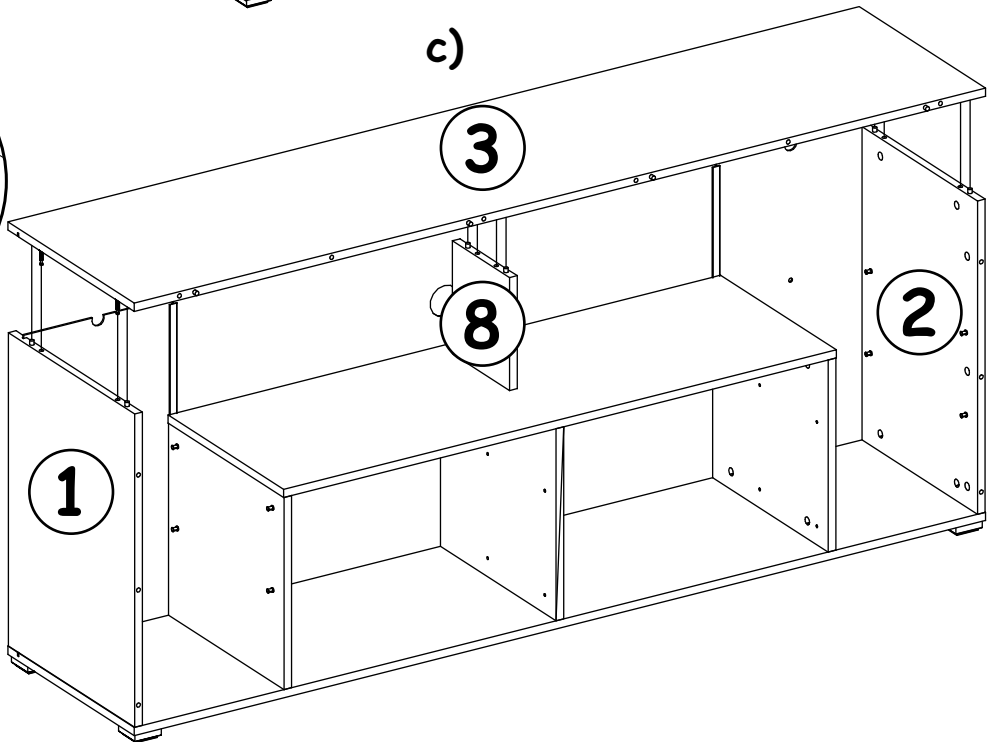
a)



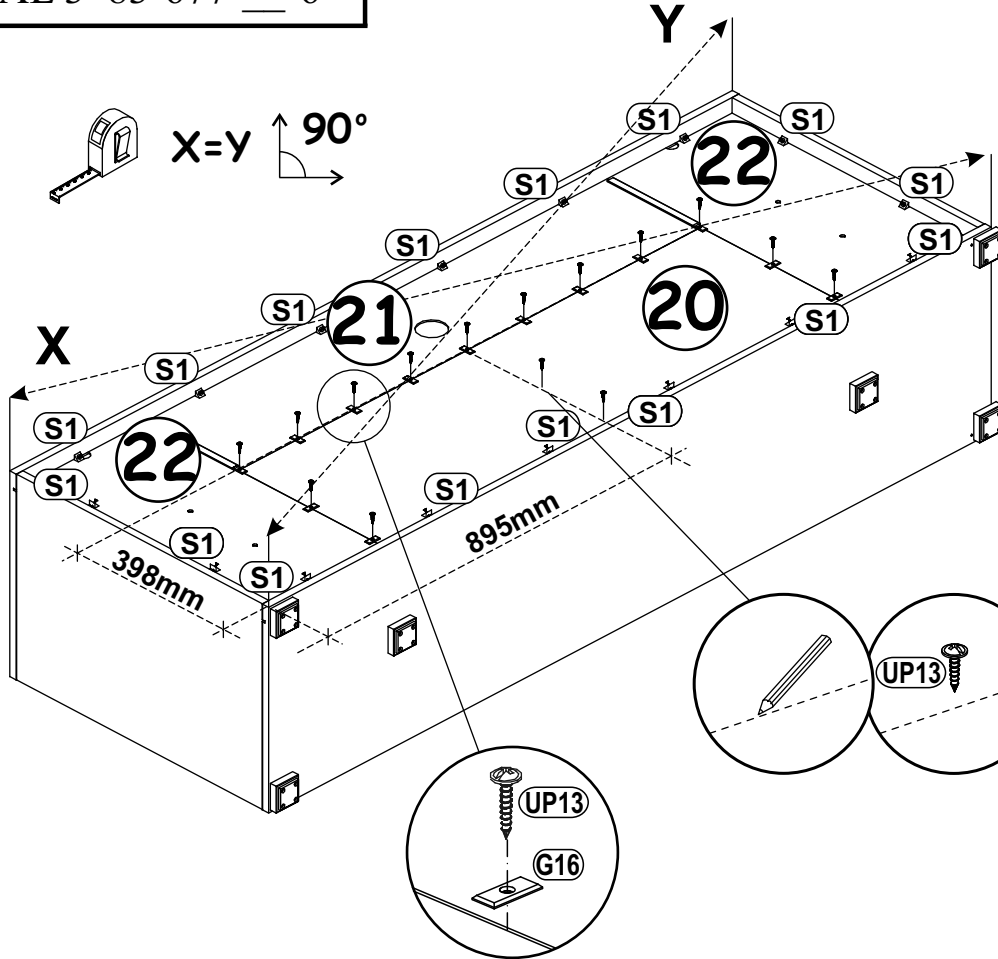
b)



c)



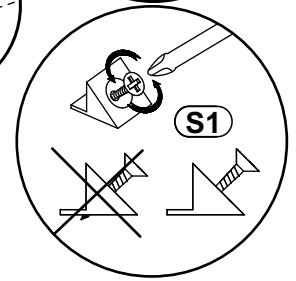
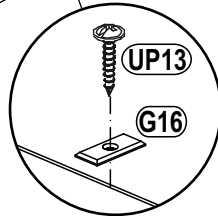
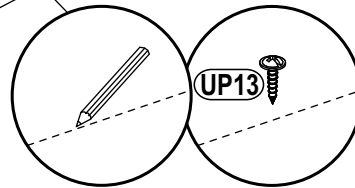
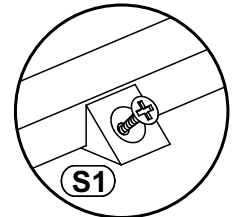
12



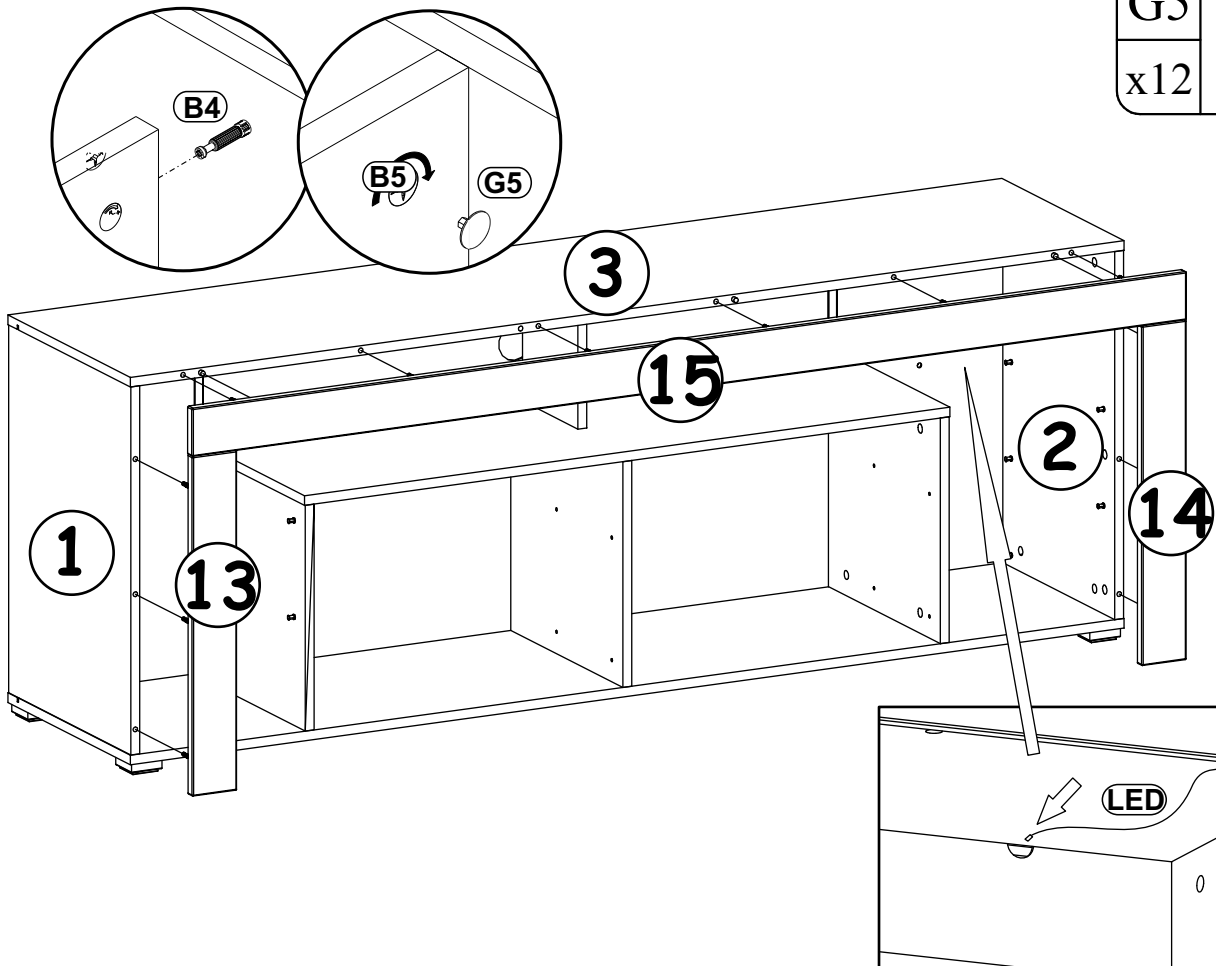
UP13	
x15	UPØ3x16

S1	
x18	

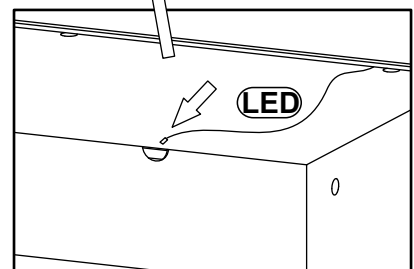
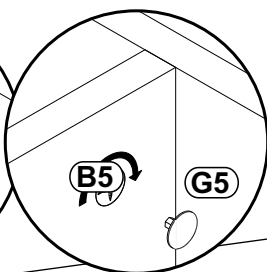
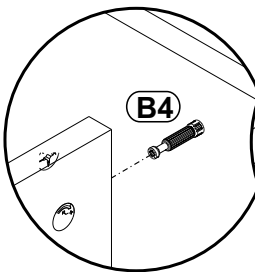
G16	
x12	



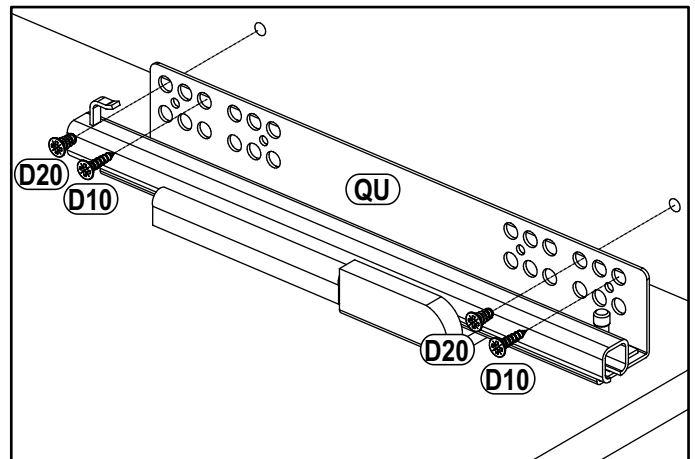
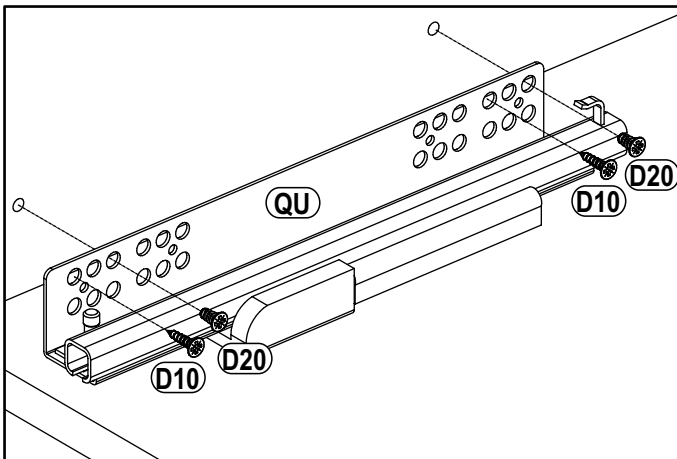
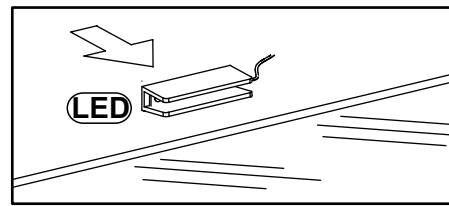
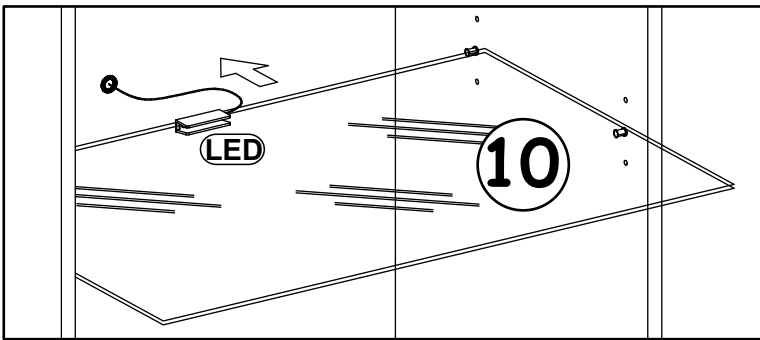
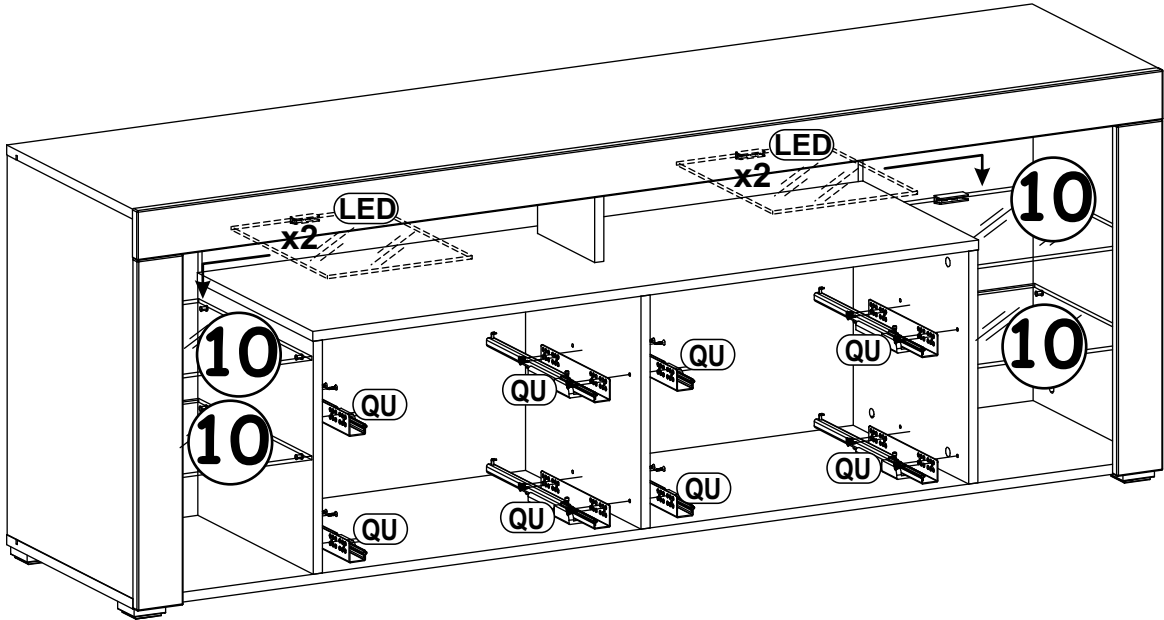
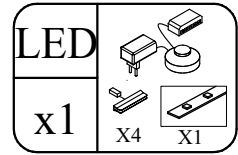
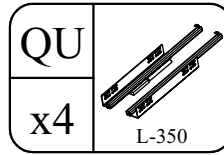
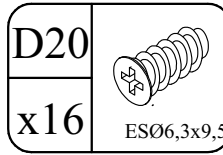
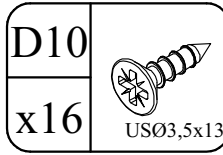
13



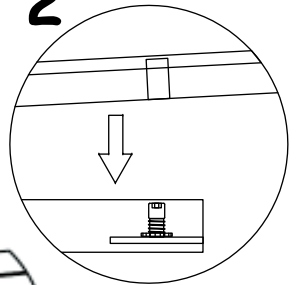
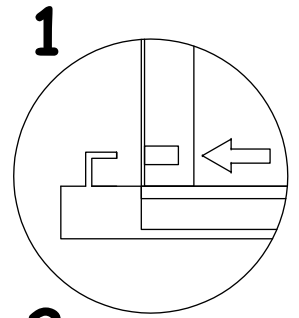
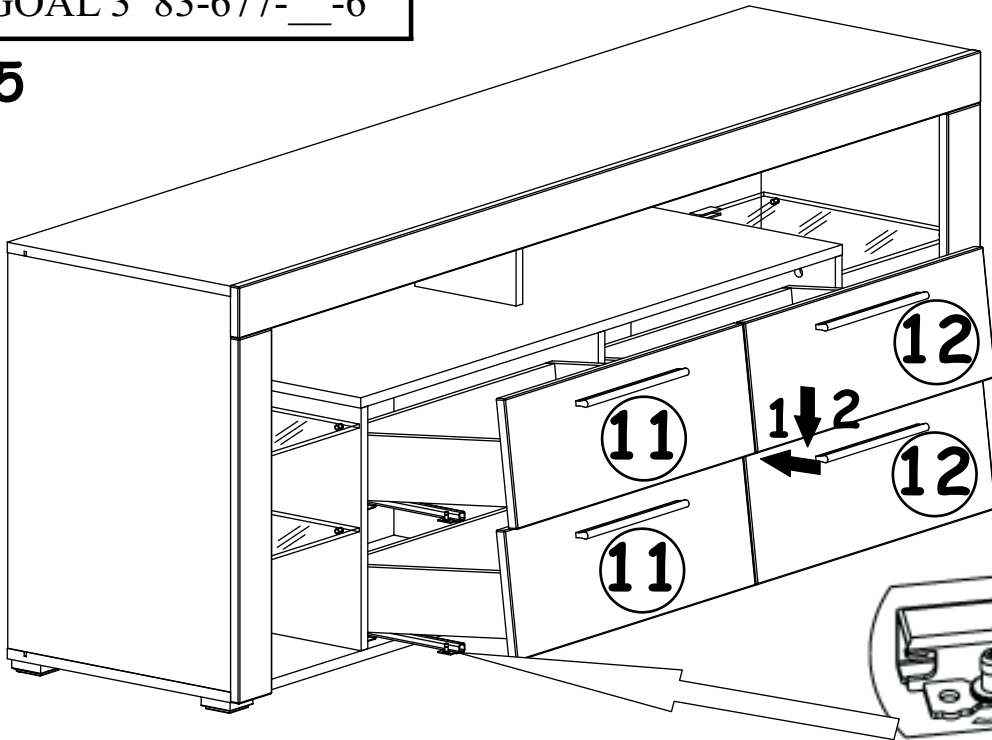
G5	
x12	



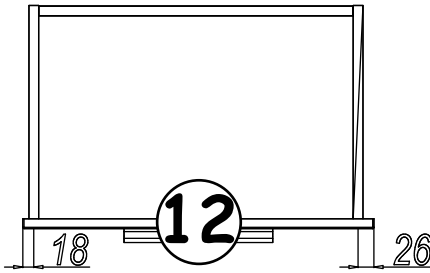
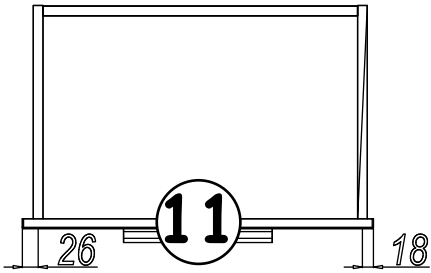
14



15



↑+4 mm



16

