

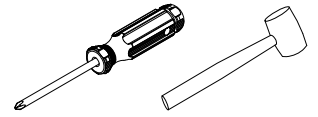
# ASSEMBLY INSTRUCTIONS

## 6005

**CAUTION :**

- BEFORE ASSEMBLING, READ ALL THE INSTRUCTION.
- ENSURE ALL COMPONENTS ARE PLACE ONTO CARDBOARD AS PROTECTION.
- CLEAN SURFACE WITH A DRY OR DAMP SOFT CLOTH.
- DO NOT USE ABRASIVE CLEANERS, DETERGENT OR CHEMICAL.

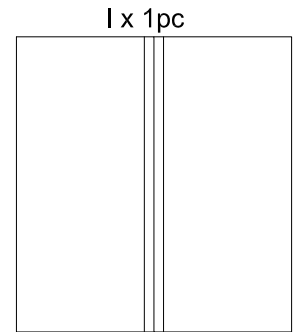
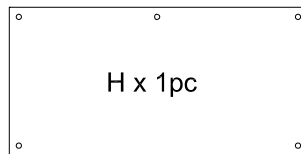
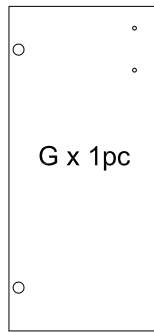
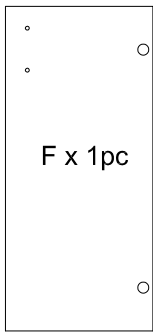
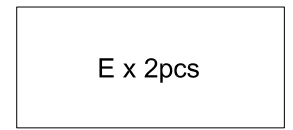
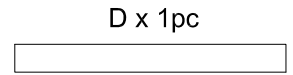
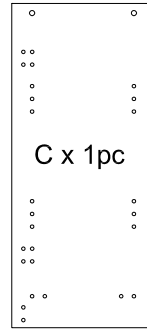
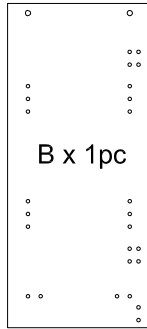
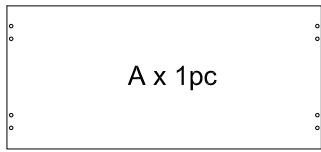
**TOOLS REQUIRED :**



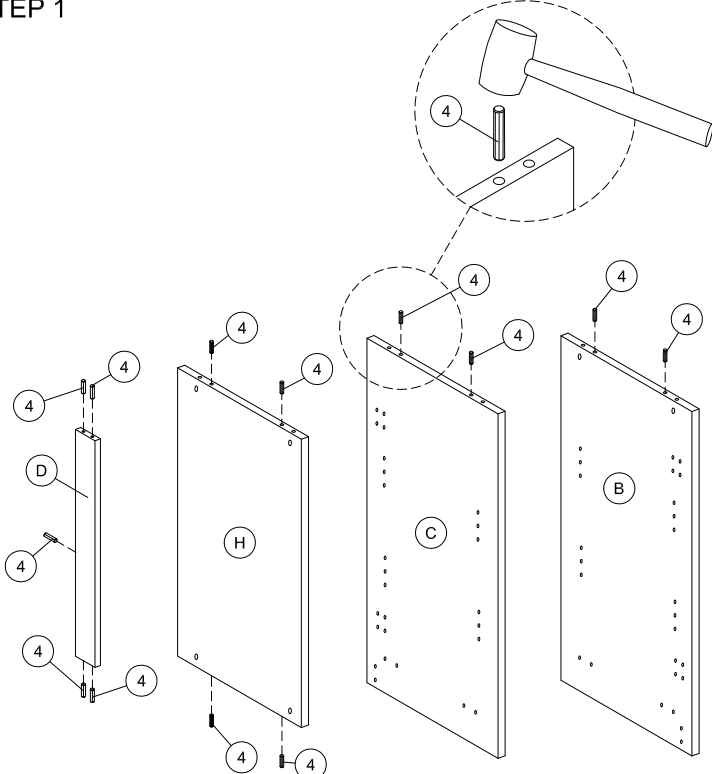
**HARDWARE :**

1	2	3	4	5	6	7	8	9
x 8 PCS	x 8 PCS	x 8 PCS	x 13 PCS	x 4 SETS	x 2 SETS	x 32 PCS	x 8 PCS	CBS 3.5 X 16 x 24 PCS

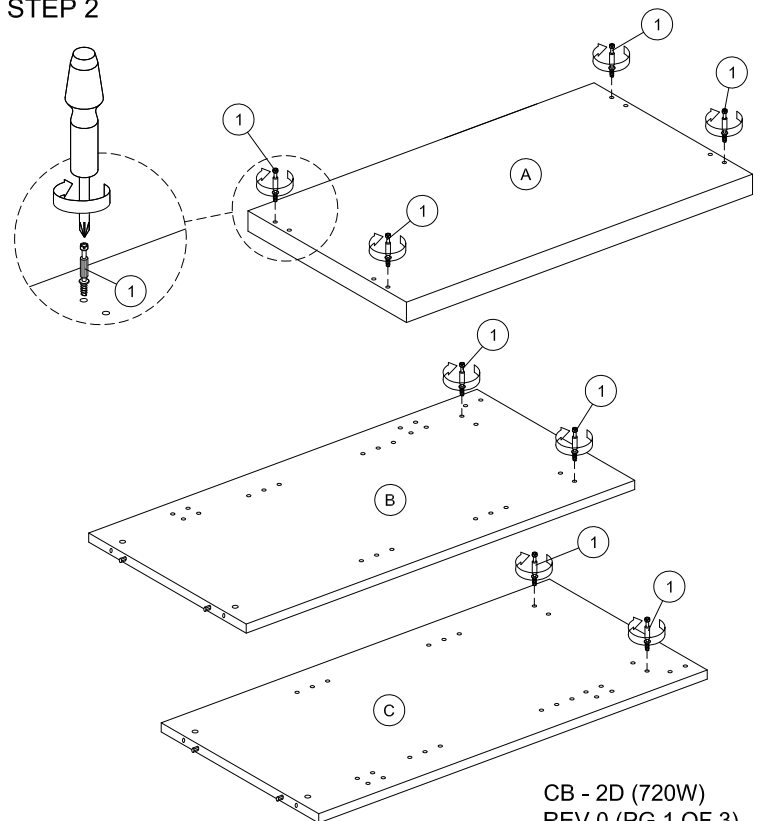
**COMPONENTS :**



**STEP 1**

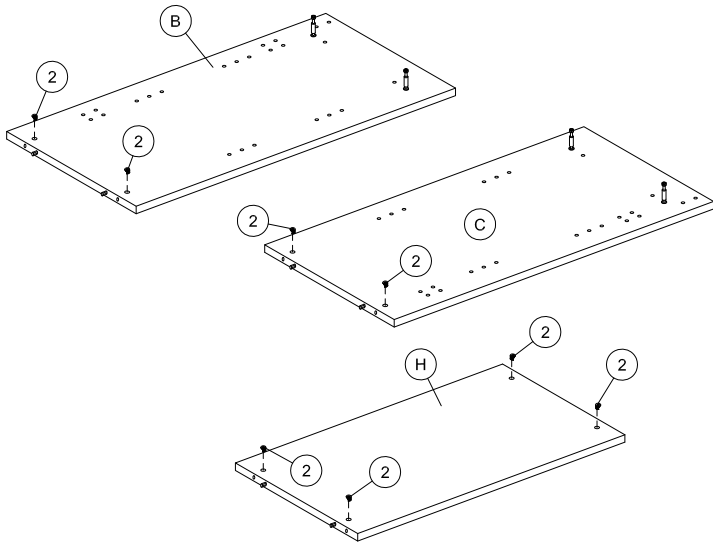


**STEP 2**

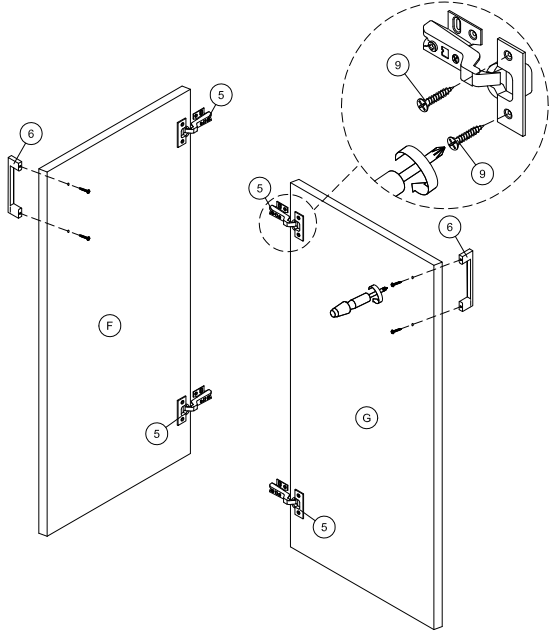


# ASSEMBLY INSTRUCTIONS

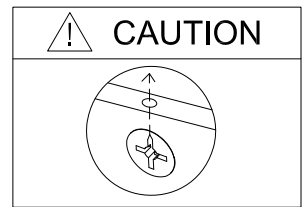
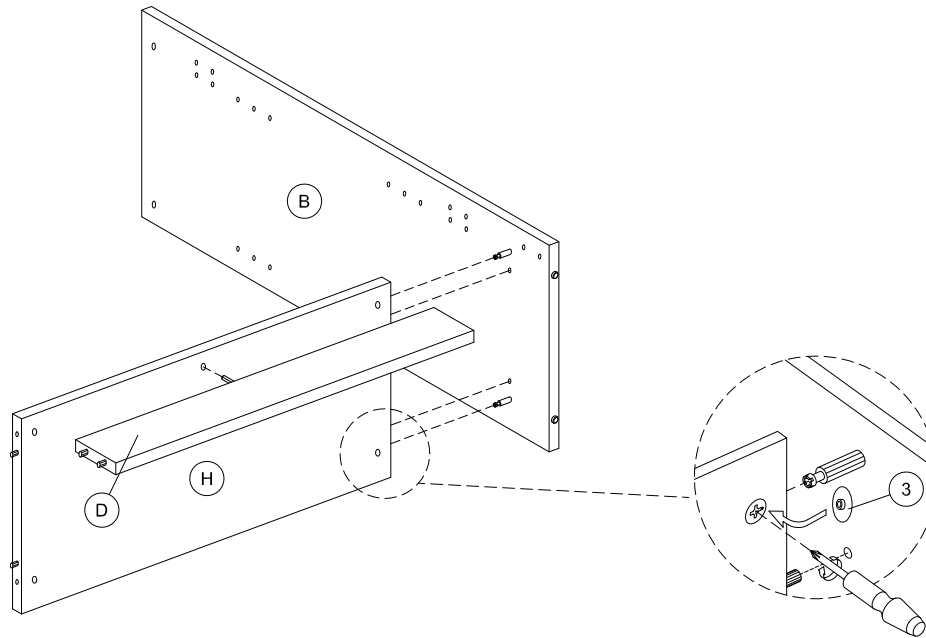
## STEP 3



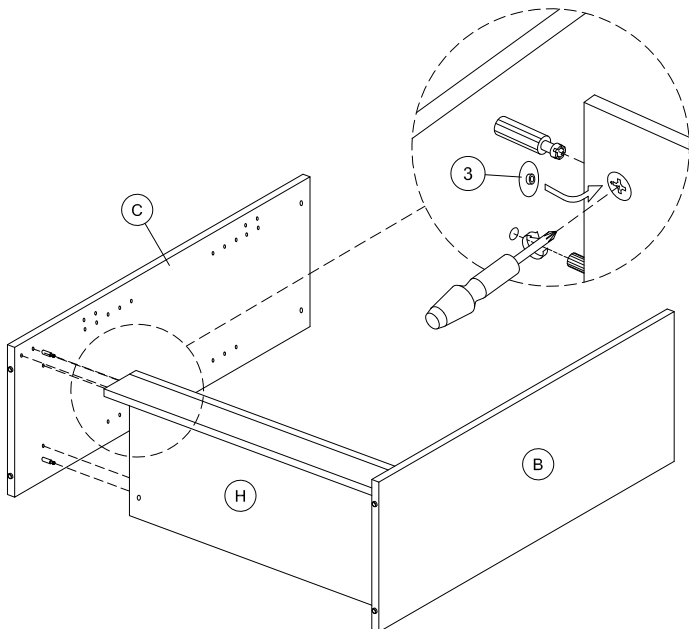
## STEP 4



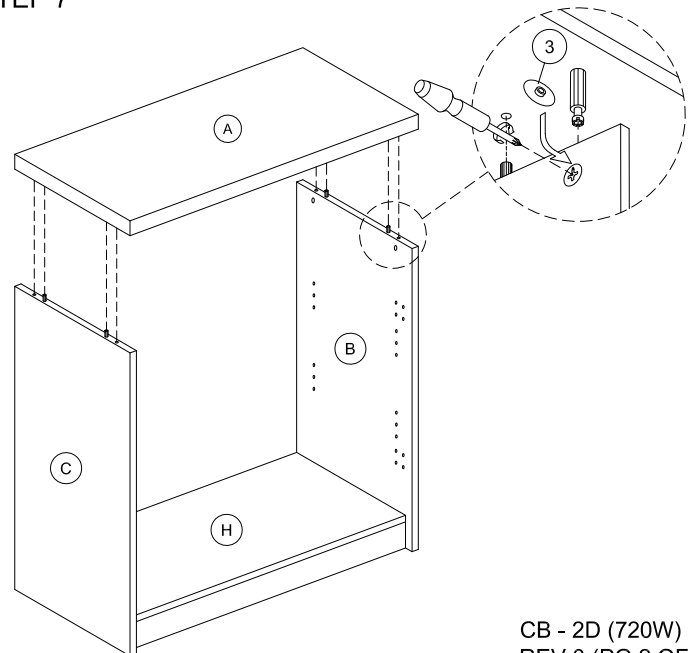
## STEP 5



## STEP 6

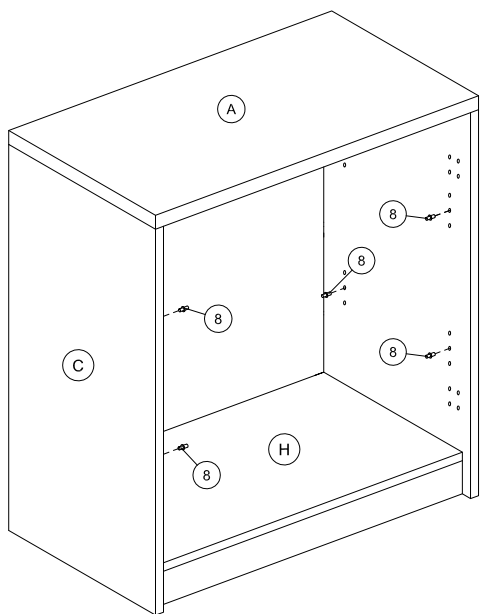


## STEP 7

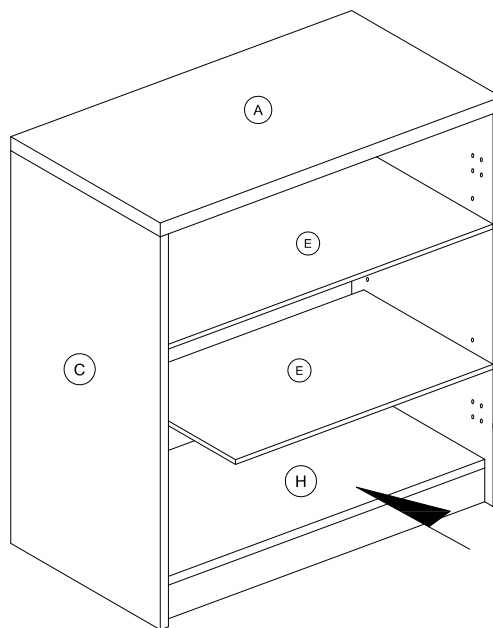


# ASSEMBLY INSTRUCTIONS

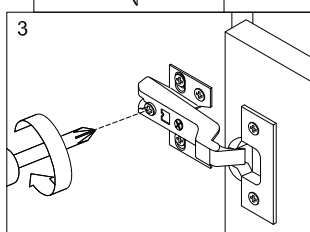
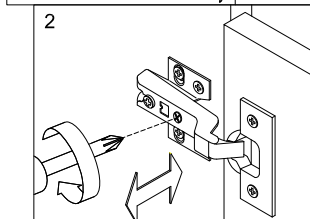
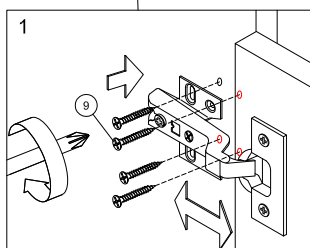
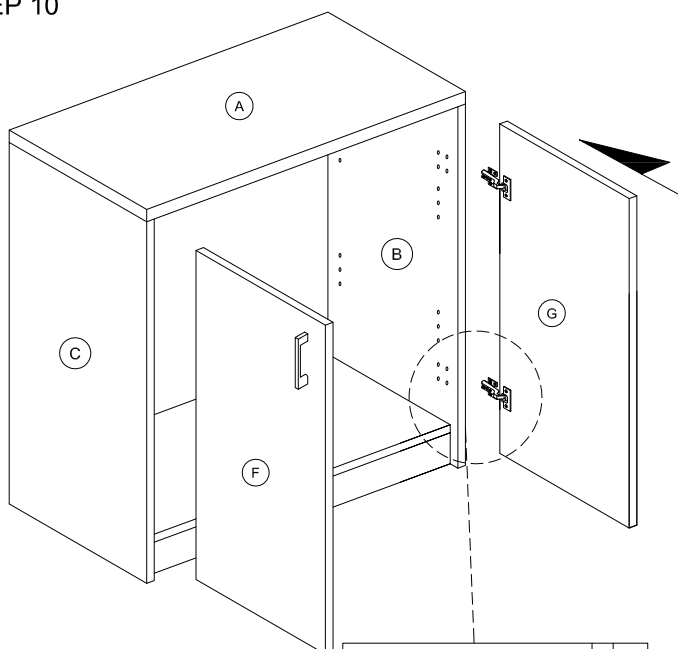
STEP 8



STEP 9



STEP 10



STEP 11

