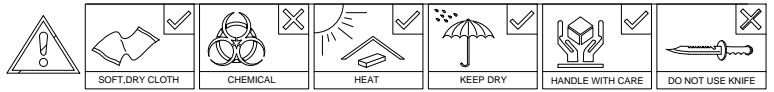
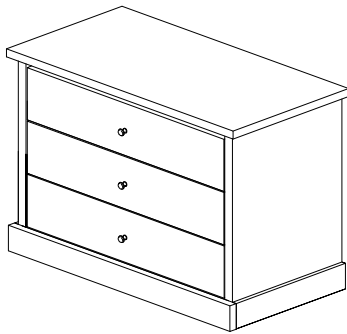


# ASSEMBLY INSTRUCTION

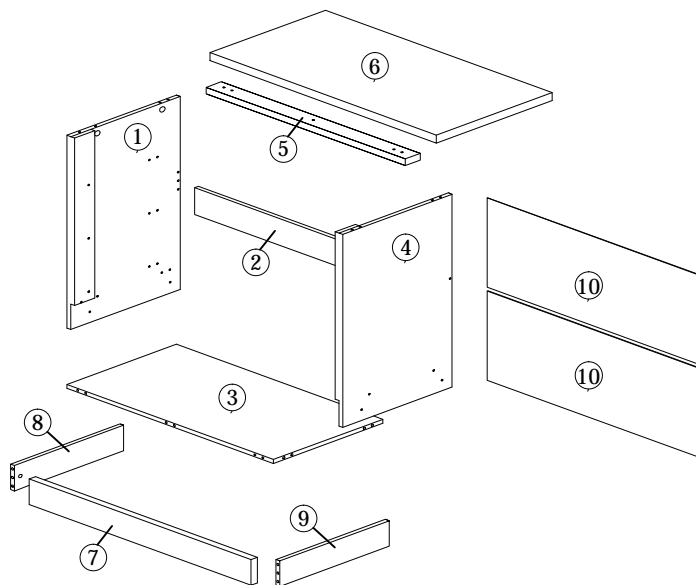
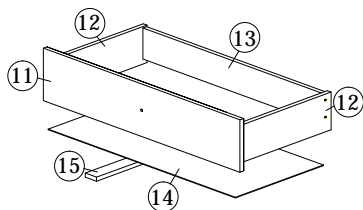
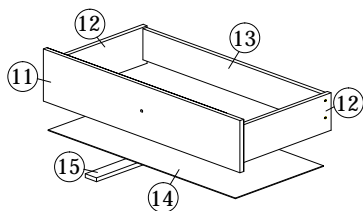
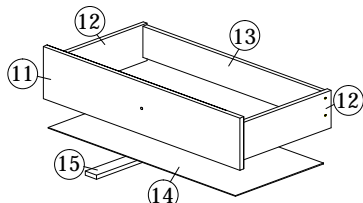
## COD 5939-S5V - EMMA COMMODE 3 L / T / CHEST OF 3 DRAWERS

- ~ Before assembly, please read the instructions ~
- ~ Keep these instructions for future reference ~
- ~ Follow these steps to assemble the product ~

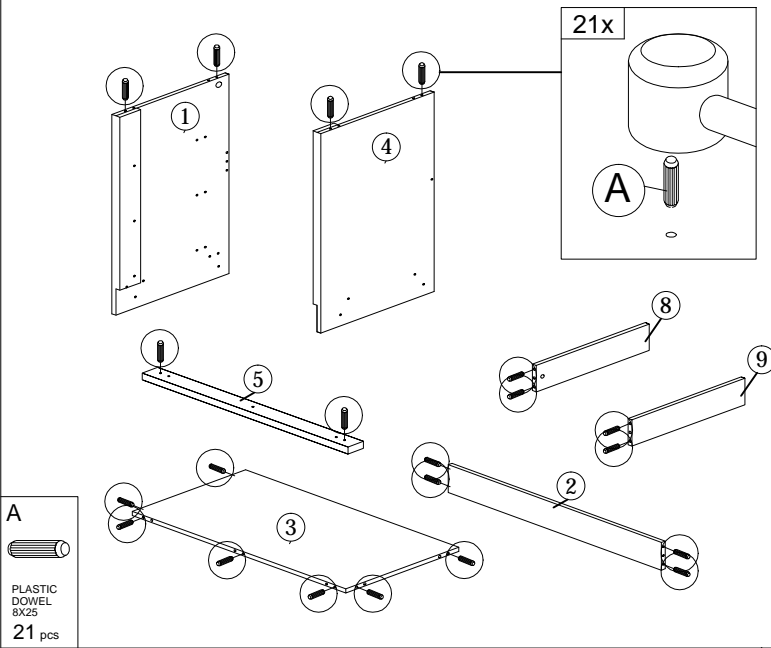


<b>HARDWARE</b>	<b>A</b> PLASTIC DOWEL 8X25 21 pcs	<b>B</b> CB SCREW M3.5X12 36 pcs	<b>C</b> CB SCREW M4X20 12 pcs	<b>D</b> CB SCREW M4X25 10 pcs	<b>E</b> CB SCREW M4X35 30 pcs	<b>F</b> CSK CAP M6X40 6 pcs	<b>G</b> CSK CAP M6X50 3 pcs	<b>H1</b> HANDLE RA01835 (ANTIQUUE ENGLISH) 3 pcs	<b>H2</b> HANDLE SCREW M4X40 3 pcs	<b>I</b> ABS DRAWER PIN (15MM) 6 pcs
	<b>J1</b> DRAWER SLIDE 14" (SIDE PANEL) 6 pcs	<b>J2</b> DRAWER SLIDE 14" (SIDE DRAWER) 6 pcs	<b>K</b> CAP 6 pcs	<b>L</b> POWER NAIL 5/8" 74 pcs	<b>M</b> PLASTIC PIN 4 pcs	<b>N</b> ALLEN KEY 1 pc	<b>O1</b> MINIFIX 5654 (HOUSING) 9 pc	<b>O2</b> MINIFIX 5654 (SCREW) 9 pc		

### PART LIST

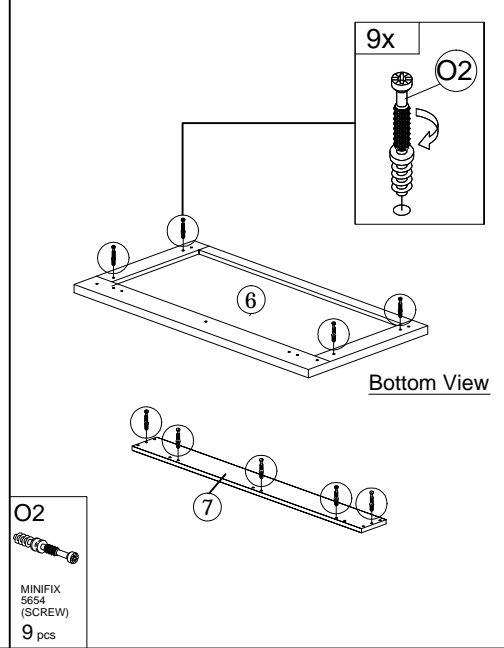


### Step 1



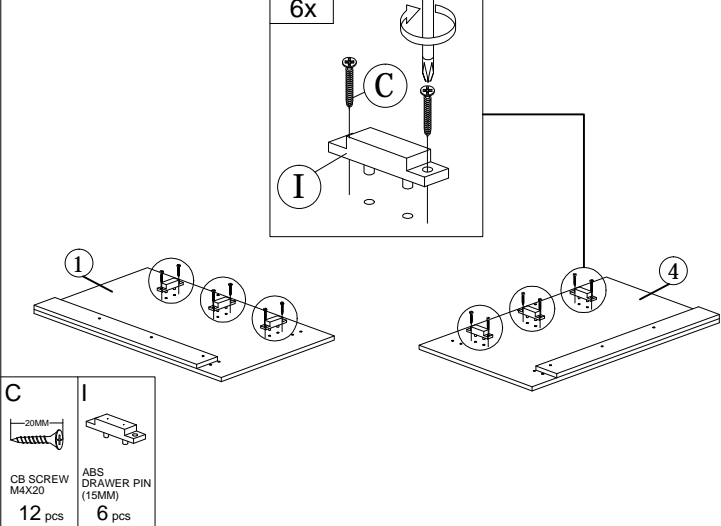
**A**  
 PLASTIC DOWEL 8X25  
 21 pcs

### Step 2



**O2**  
 MINIFIX 5654 (SCREW)  
 9 pcs

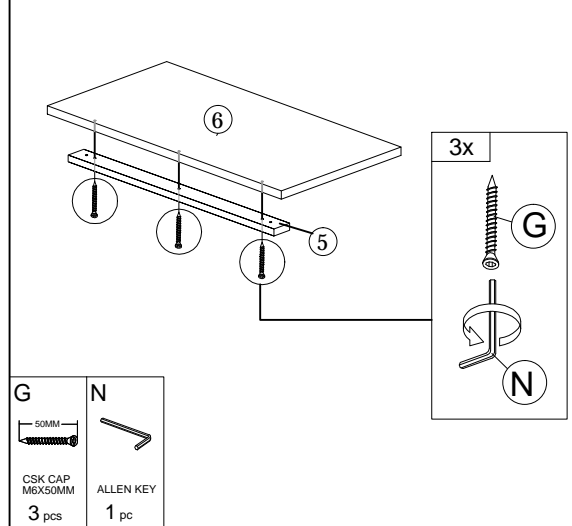
### Step 3



**C**  
 CB SCREW M4X20  
 12 pcs

**I**  
 ABS DRAWER PIN (15MM)  
 6 pcs

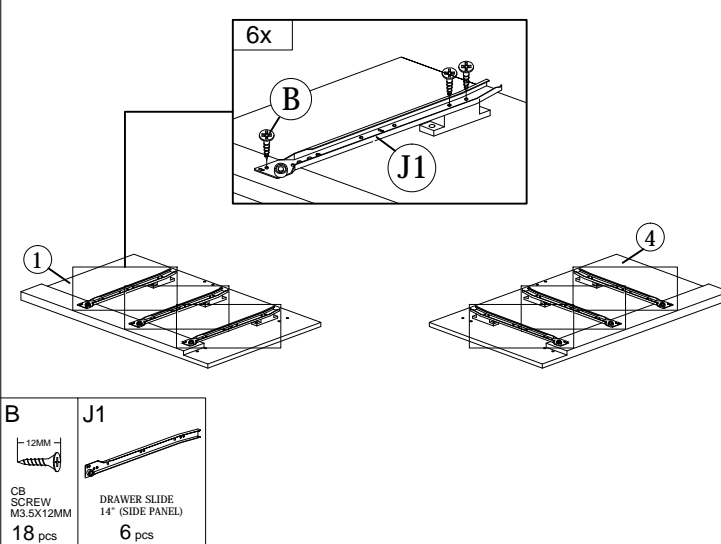
### Step 4



**G**  
 CSK CAP M6X50MM  
 3 pcs

**N**  
 ALLEN KEY  
 1 pc

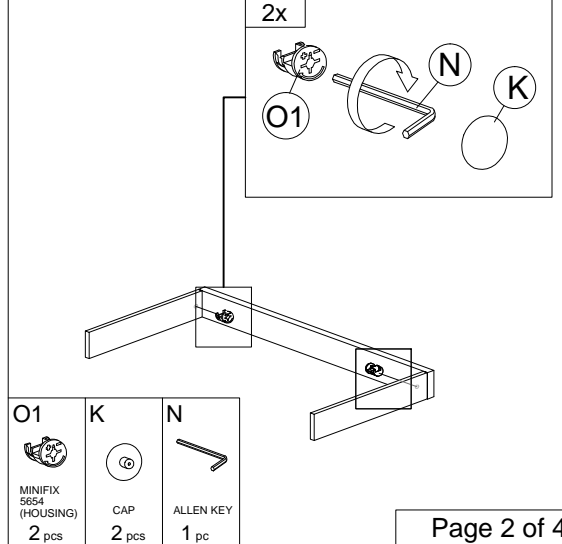
### Step 5



**B**  
 CB SCREW M3.5X12MM  
 18 pcs

**J1**  
 DRAWER SLIDE 14" (SIDE PANEL)  
 6 pcs

### Step 6

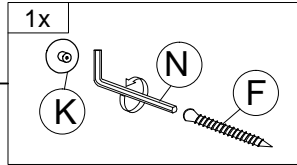
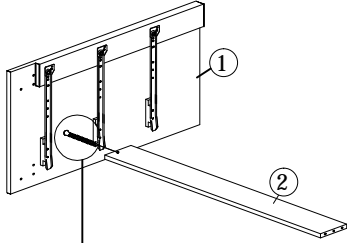


**O1**  
 MINIFIX 5654 (HOUSING)  
 2 pcs

**K**  
 CAP  
 2 pcs

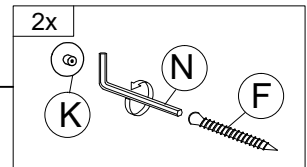
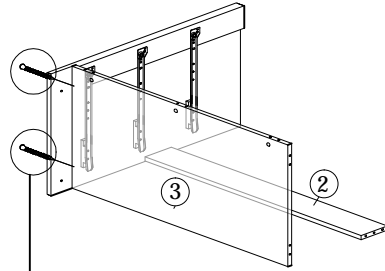
**N**  
 ALLEN KEY  
 1 pc

### Step 7



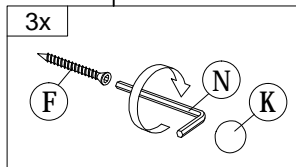
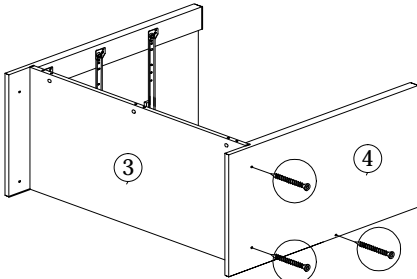
<b>F</b> 40MM CSK CAP M6X40 1 pc	<b>K</b> CAP 1 pc	<b>N</b> ALLEN KEY 1 pc
---	-------------------------	-------------------------------

### Step 8



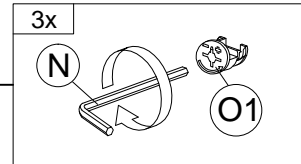
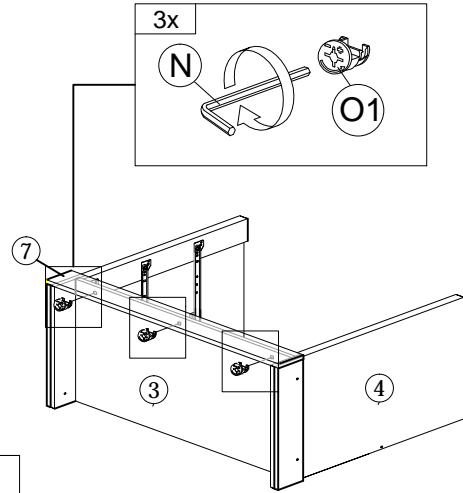
<b>F</b> 40MM CSK CAP M6X40 2 pcs	<b>K</b> CAP 2 pcs	<b>N</b> ALLEN KEY 1 pc
--	--------------------------	-------------------------------

### Step 9



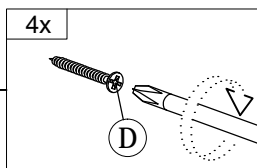
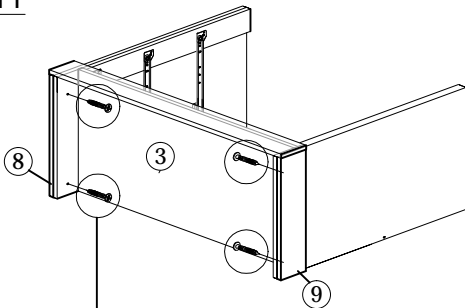
<b>F</b> 40MM CSK CAP M6X40 3 pcs	<b>K</b> CAP 3 pcs	<b>N</b> ALLEN KEY 1 pc
--	--------------------------	-------------------------------

### Step 10



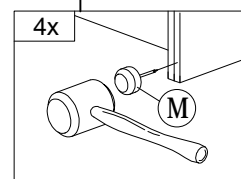
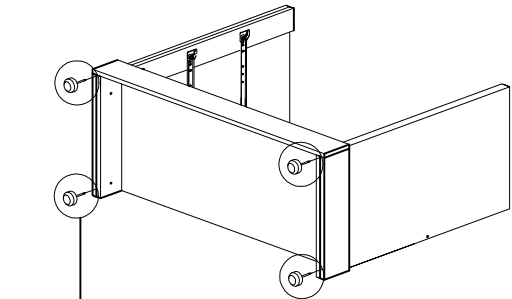
<b>O1</b> MINIFIX 5654 (HOUSING) 3 pcs	<b>N</b> ALLEN KEY 1 pc
--	-------------------------------

### Step 11



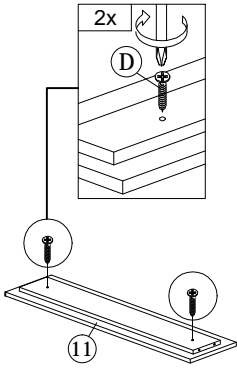
<b>D</b> 25MM CB SCREW M4X25MM 4 pcs
---

### Step 12



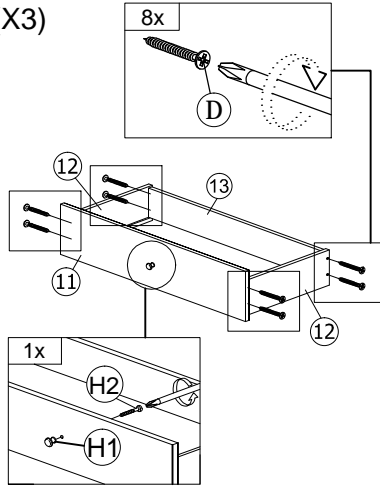
<b>M</b> PLASTIC PIN 4 pcs
-------------------------------------


**Step 13**  
(X3)





**D**  
 25MM  
 CB SCREW  
 M4X25MM  
 6 pcs

**Step 14**  
(X3)

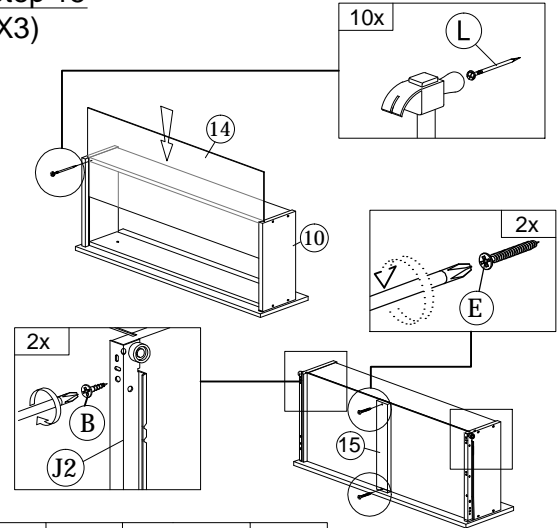



**D**  
 25MM  
 CB SCREW  
 M4X25MM  
 24 pcs


**H1**  
  
 HANDLE  
 RAO1835  
 (ANTIQUE  
 ENGLISH)  
 3 pcs


**H2**  
 40MM  
 HANDLE  
 SCREW  
 M4X40  
 3 pcs


**Step 15**  
(X3)



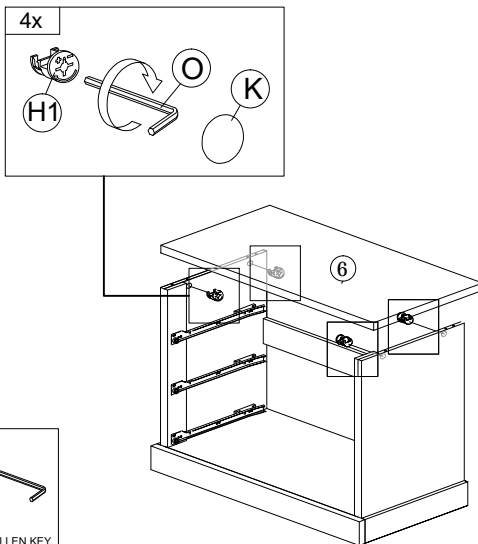
**B**  
 12MM  
 CB SCREW  
 M3.5X12MM  
 18 pcs


**E**  
 35MM  
 CB SCREW  
 M4X35MM  
 6 pcs


**J2**  
  
 DRAWER SLIDE 14"  
 (DRAWER SIDE)  
 6 pcs


**L**  
  
 POWER  
 NAIL 1/2"  
 30 pcs

**Step 16**

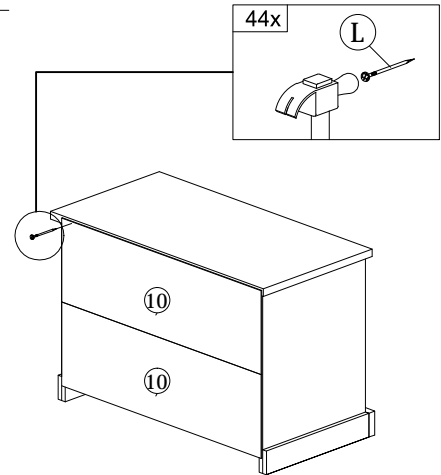



**O1**  
  
 MINIFIX  
 5654  
 (HOUSING)  
 4 pcs

**K**  
  
 CAP  
 4 pcs

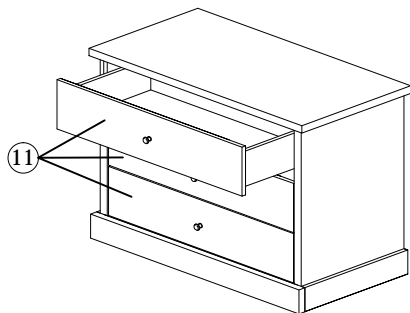
**N**  
  
 ALLEN KEY  
 1 pc

**Step 17**



**L**  
  
 POWER  
 NAIL 1/2"  
 44 pcs

**Step 18**



**Completed**

