
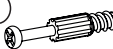




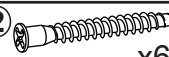
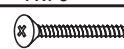








- (B1)**   $\phi$  8x28 x58
- (T1)**  x34
- (M1)**  x28
- (C2)**   $\phi$  20 x6
- (B4)**  x12
- (M12)**  x6
- (K2)**  7x70 x6
- (S15)**  4x45 x12
- (P7)**  4x40 x28
- (P5)**  4x30 x4
- (F15)**  x7

- (I4)**  x6
- (S3)**  3,5x13 x12

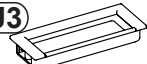
- (R11)**  350 x6


- (E4)**  6,0x8 x12


- (A1)**  M4x9 x6


- (J23)**  x12

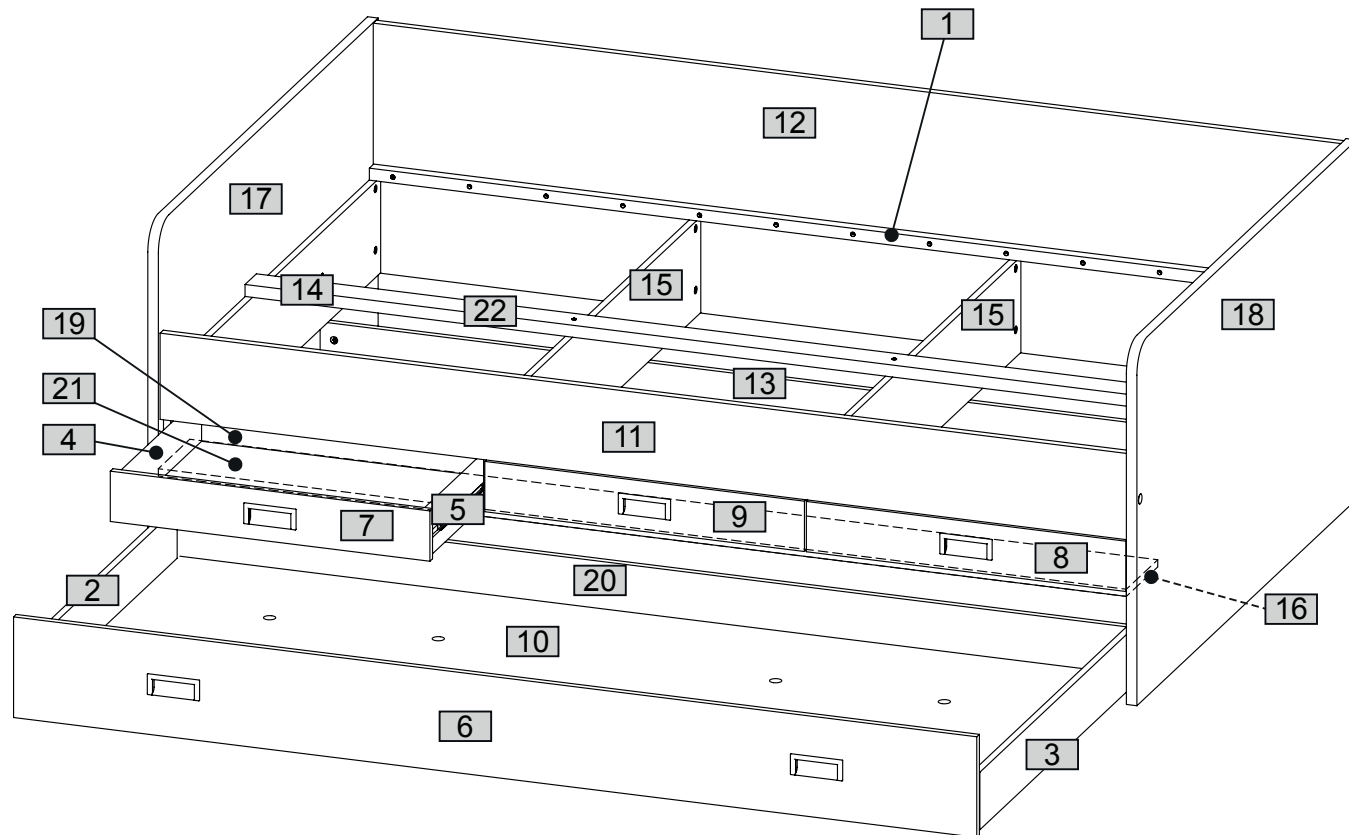
Nr	Ausmaß	St	Colli
1	2018 25 25	2	1
2	900 120 15	1	1
3	900 120 15	1	1
4	450 100 12	3	4
5	450 100 12	3	4
6	2010 210 15	1	2
7	667 105 15	1	2
8	667 105 15	1	2
9	667 105 15	1	2
10	1982 900 15	1	2
11	2020 180 18	1	1
12	2020 520 18	1	1
13	2020 230 15	1	1
14	1204 200 15	2	4
15	1204 200 15	2	4
16	2020 180 15	1	2
17	1260 750 22	1	3
18	1260 750 22	1	3
19	621 100 12	3	4
20	1982 104 15	1	1
21	632 449 2 3	3	3
22	2018 65 25	1	1

- (U3)**  x5

- (P11)**  4x13 x10

- (L21)**  x4

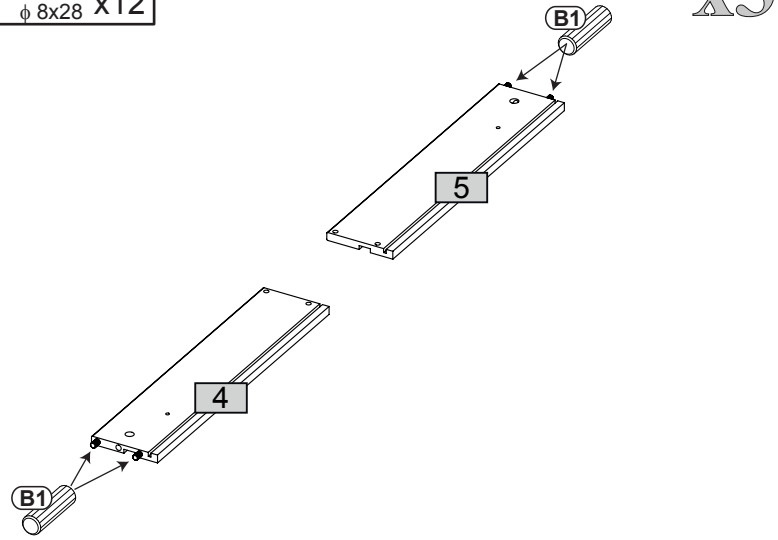
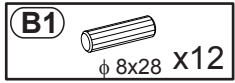
- (P13)**  3,5x13 x16



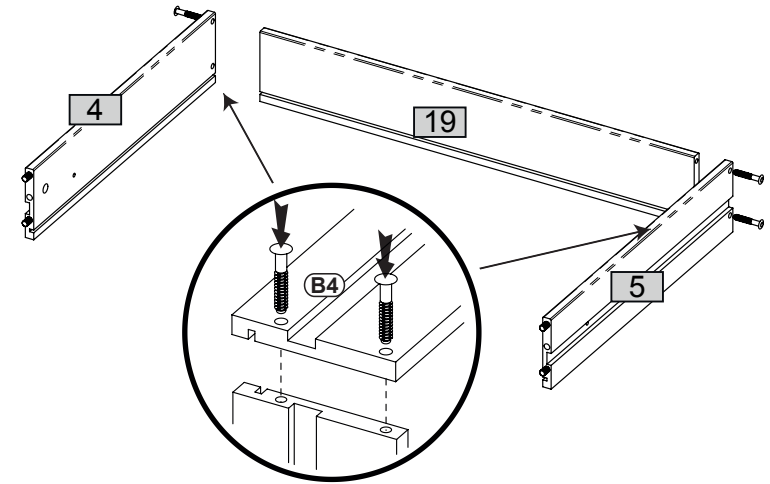
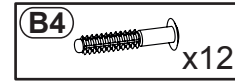
0 10 20 30 40 50 60 70 80 90 100 110 120 130 140 150 160 170 180 190 200



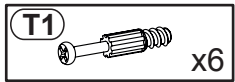
## 1



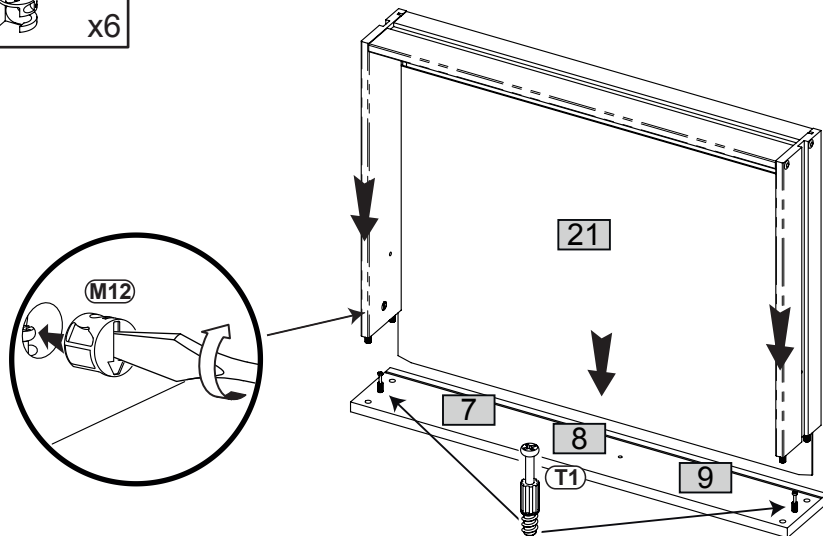
## 2



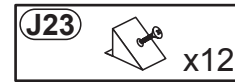
## 3



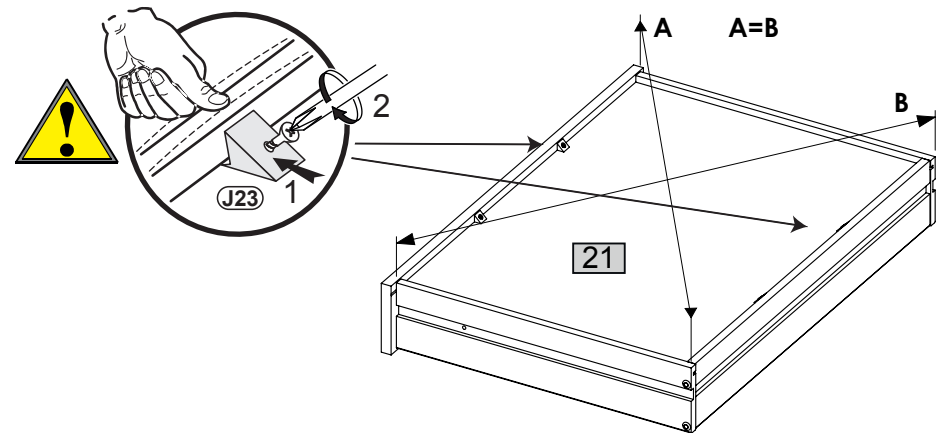
## x3



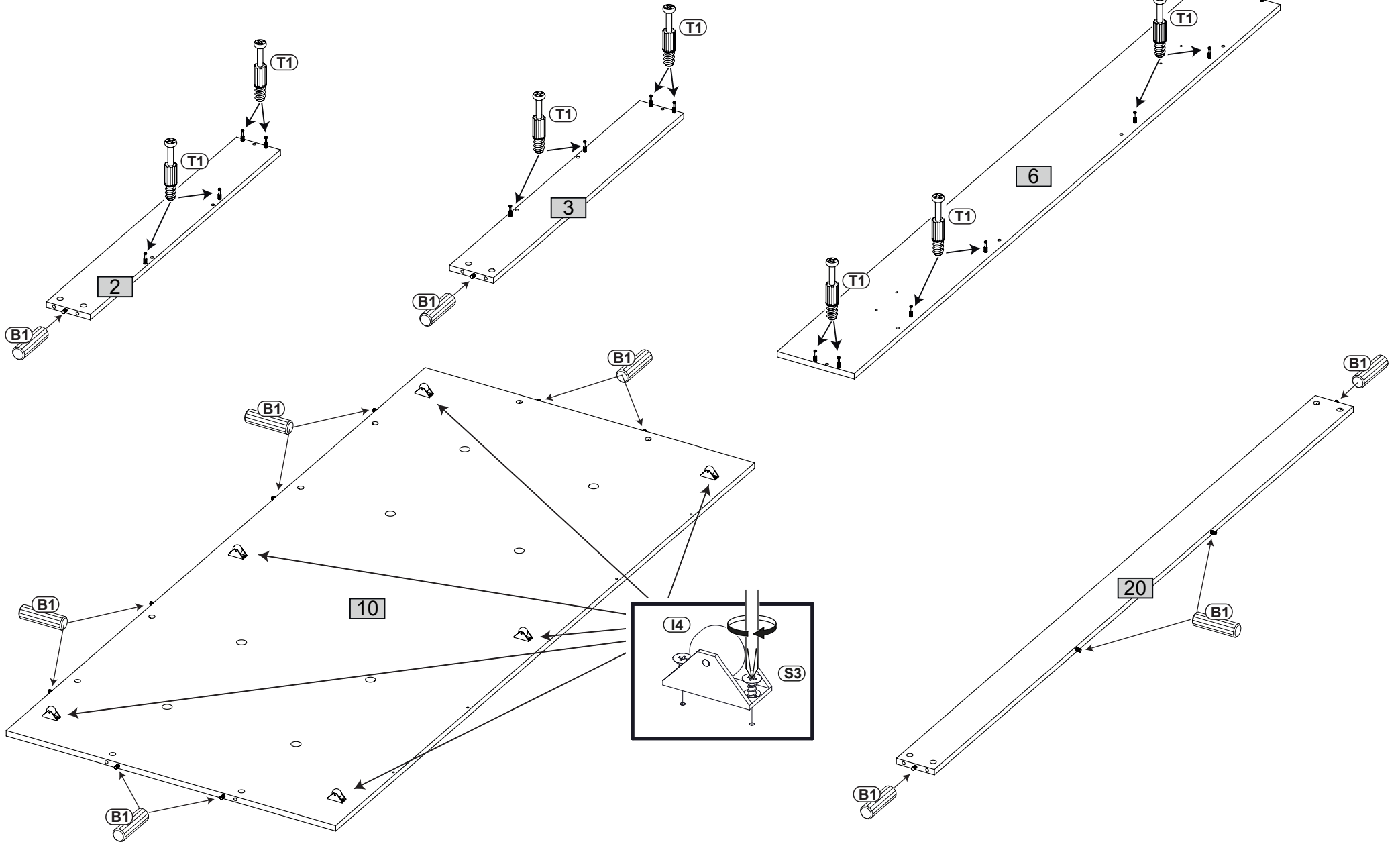
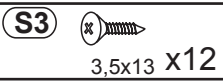
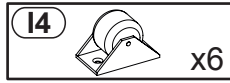
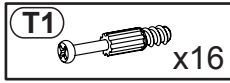
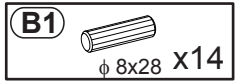
## 4



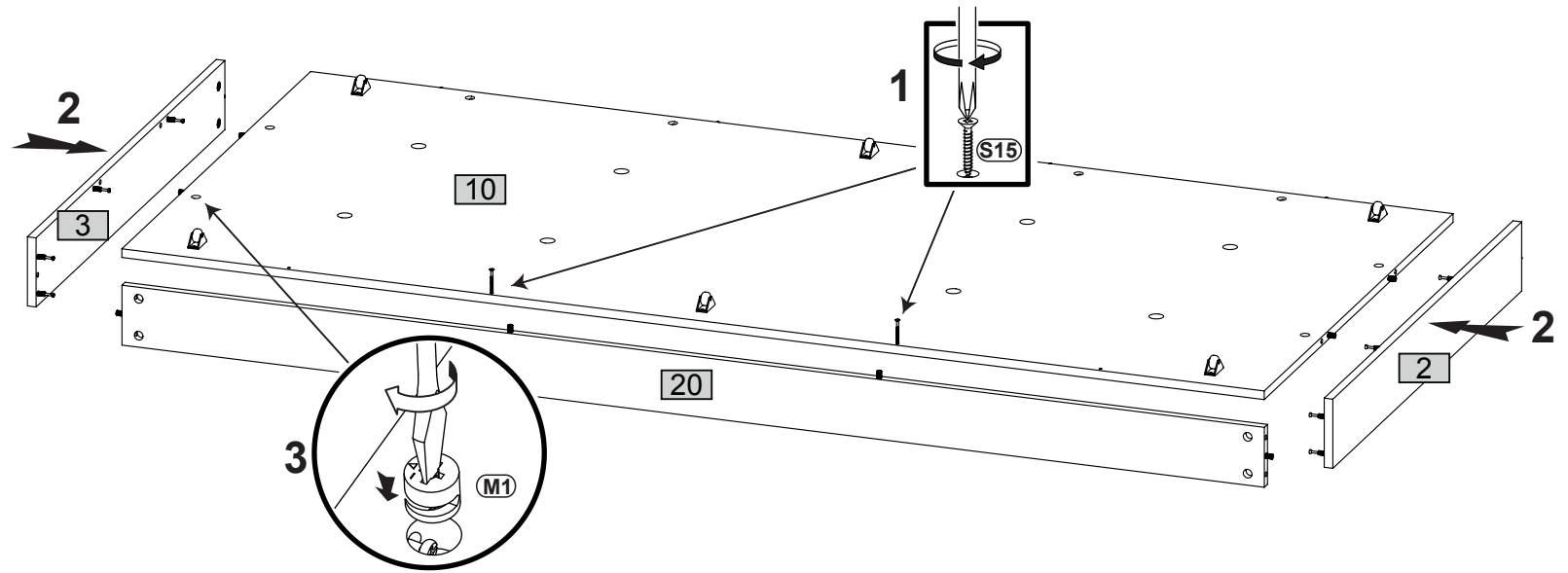
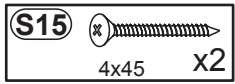
## x3



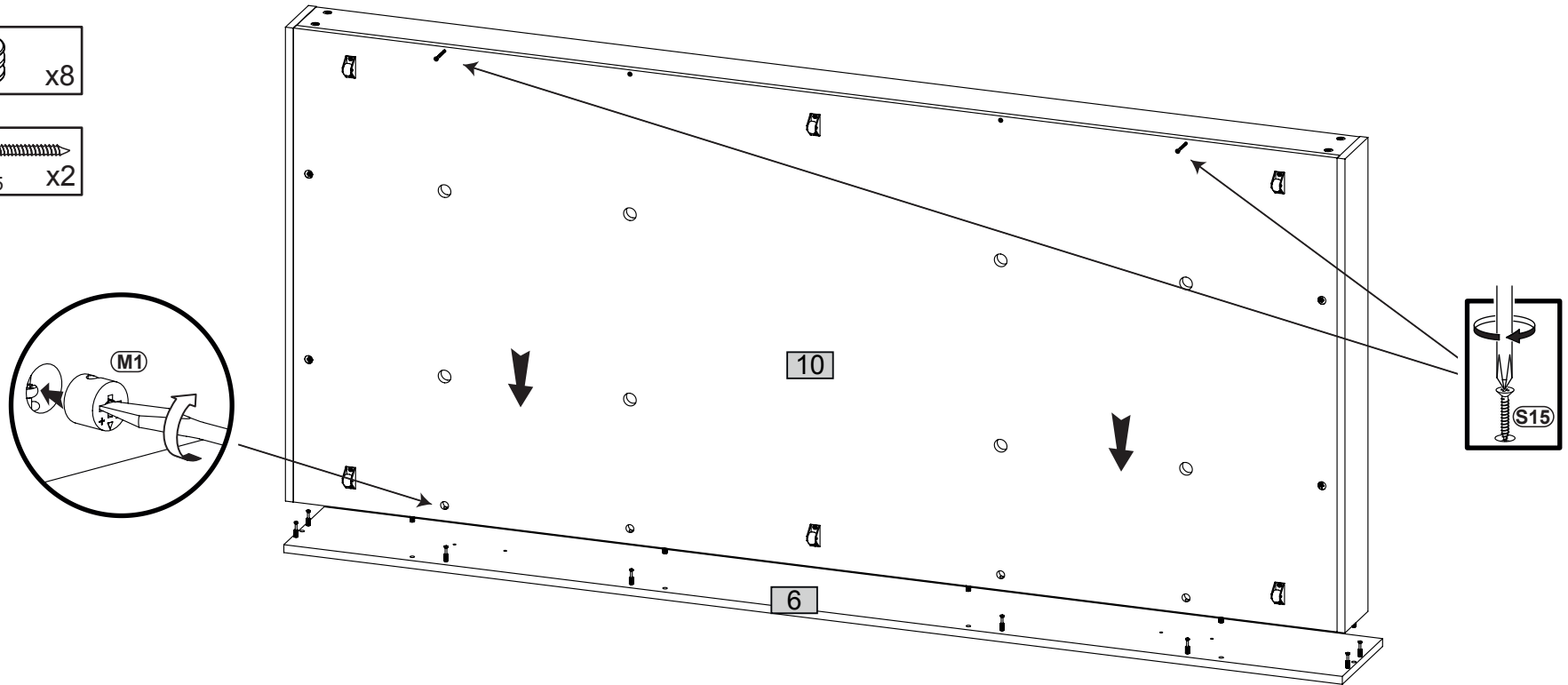
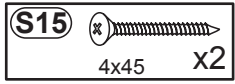
5



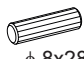
6





7





# 8

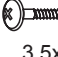
**B1**   $\phi$  8x28 x20

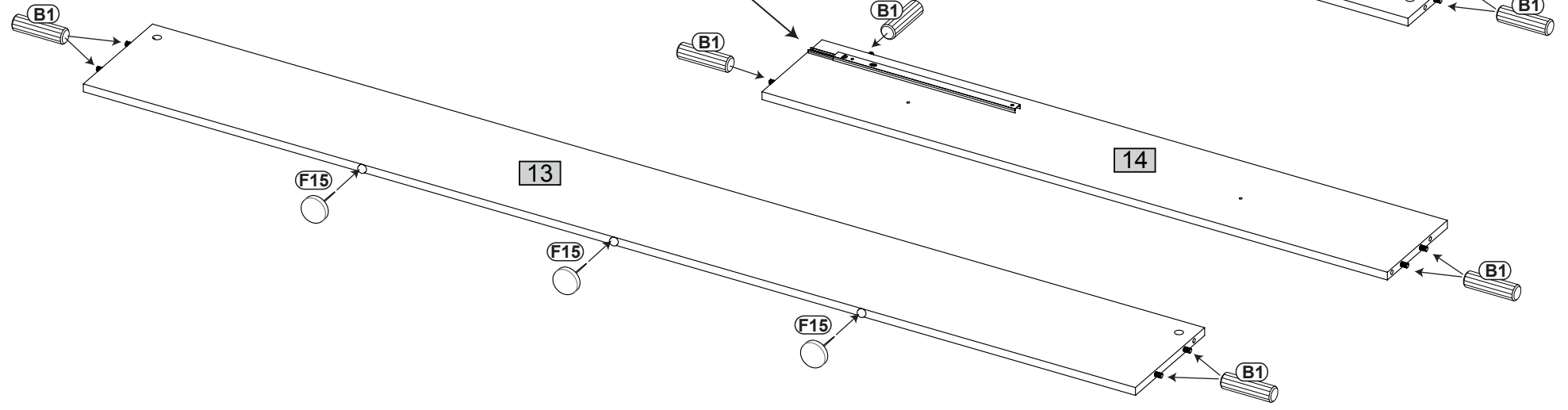
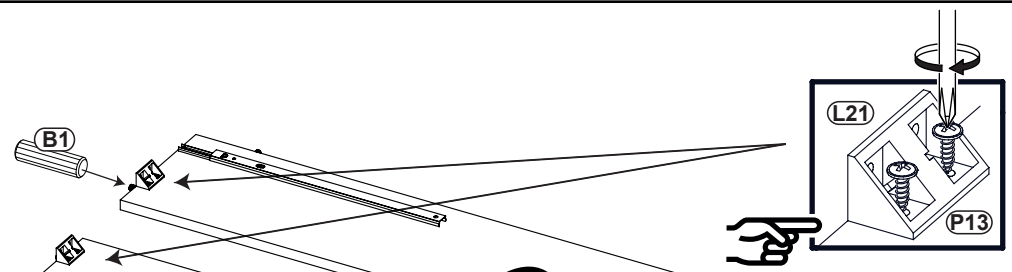
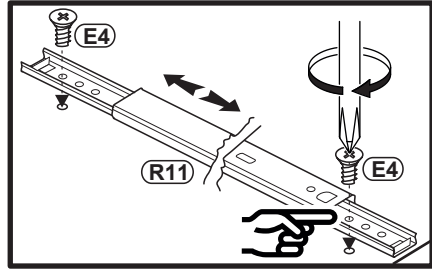
**R11**  350 x6

**L21**  x4

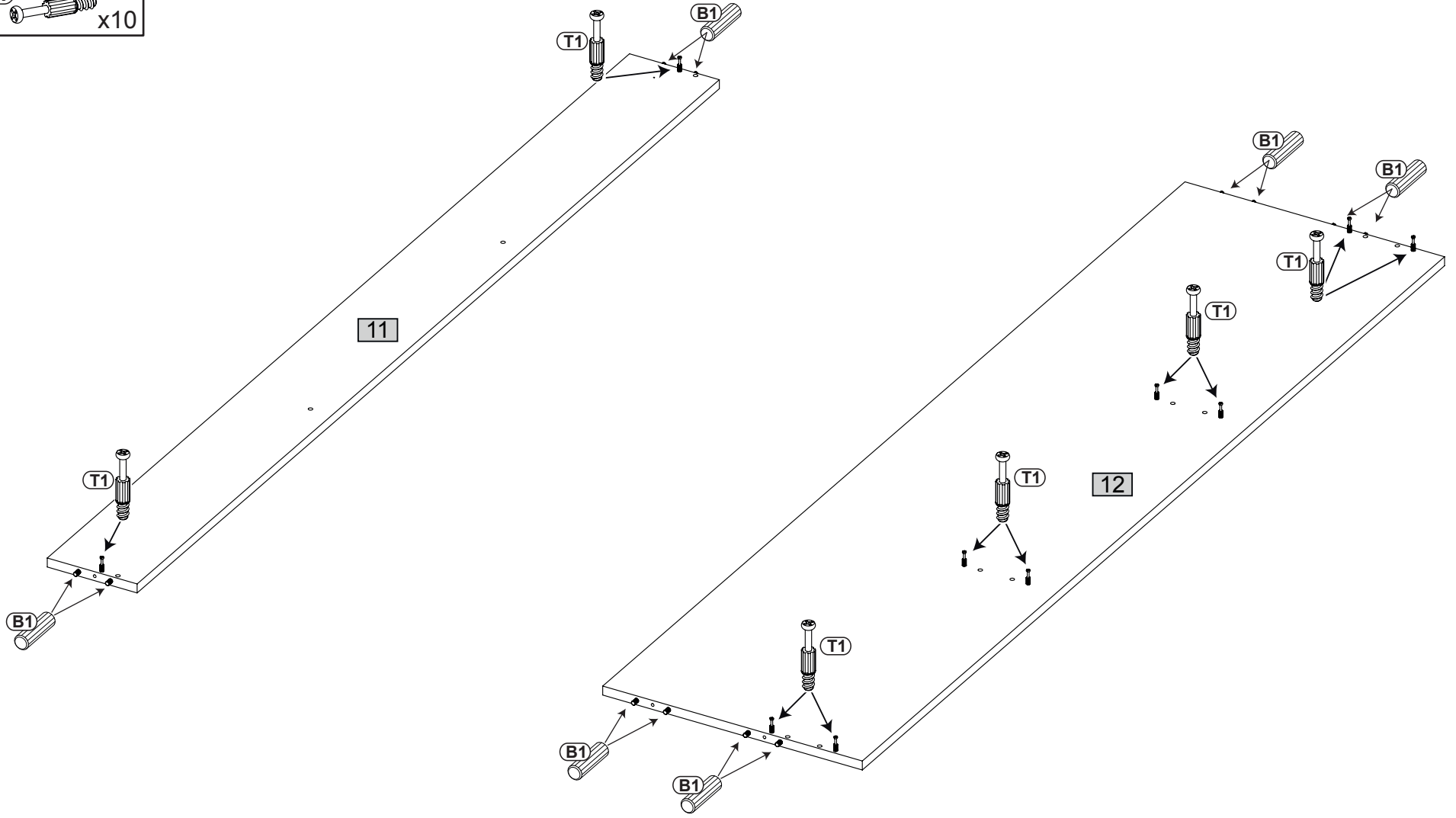
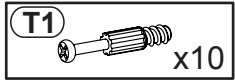
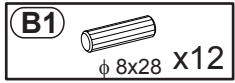
**F15**  x3

**E4**  6,0x8 x12

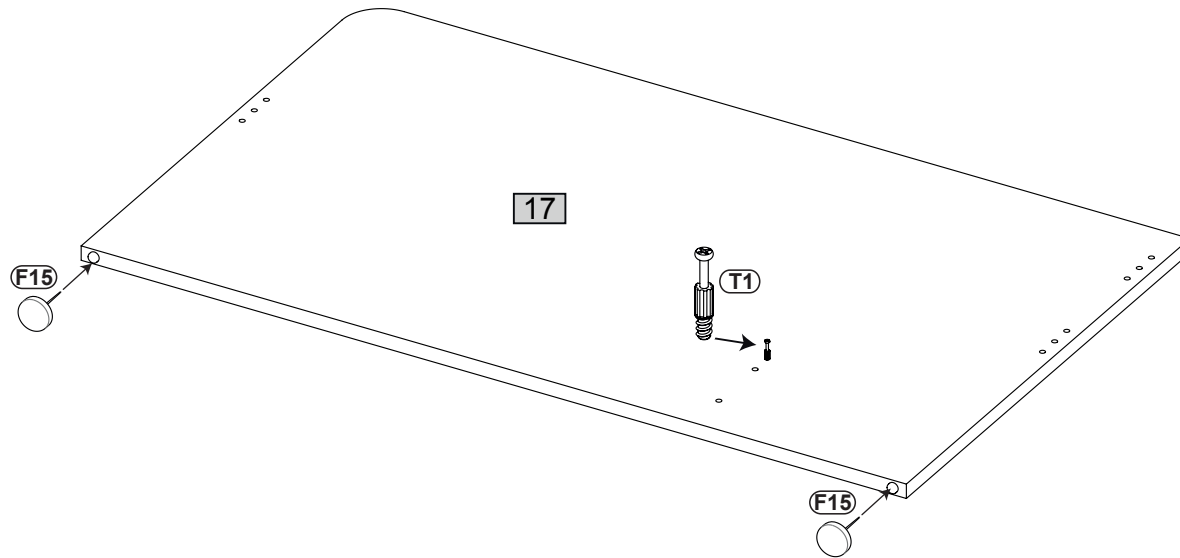
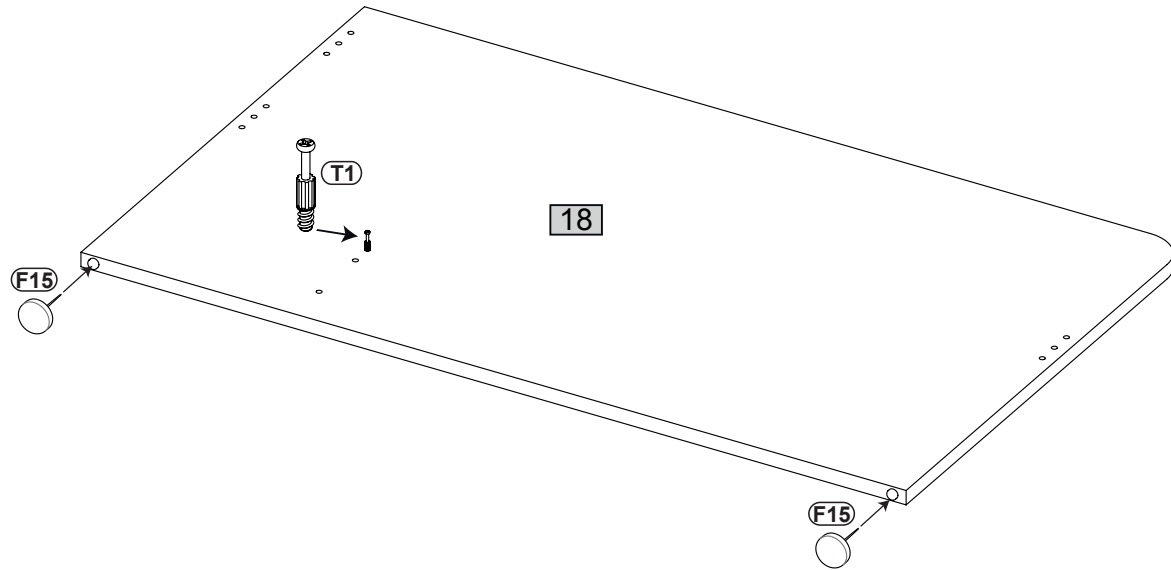
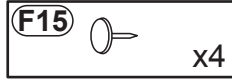
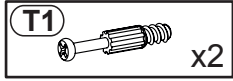
**P13**  3,5x13 x8



9

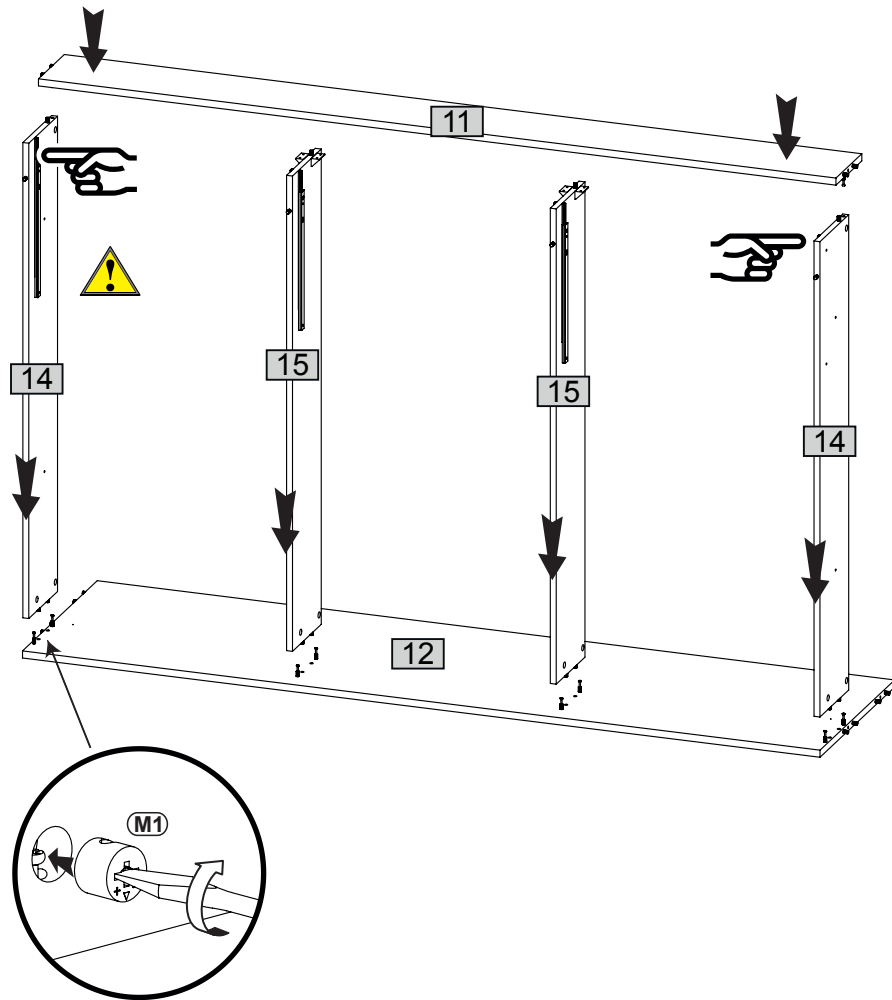




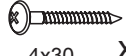
10

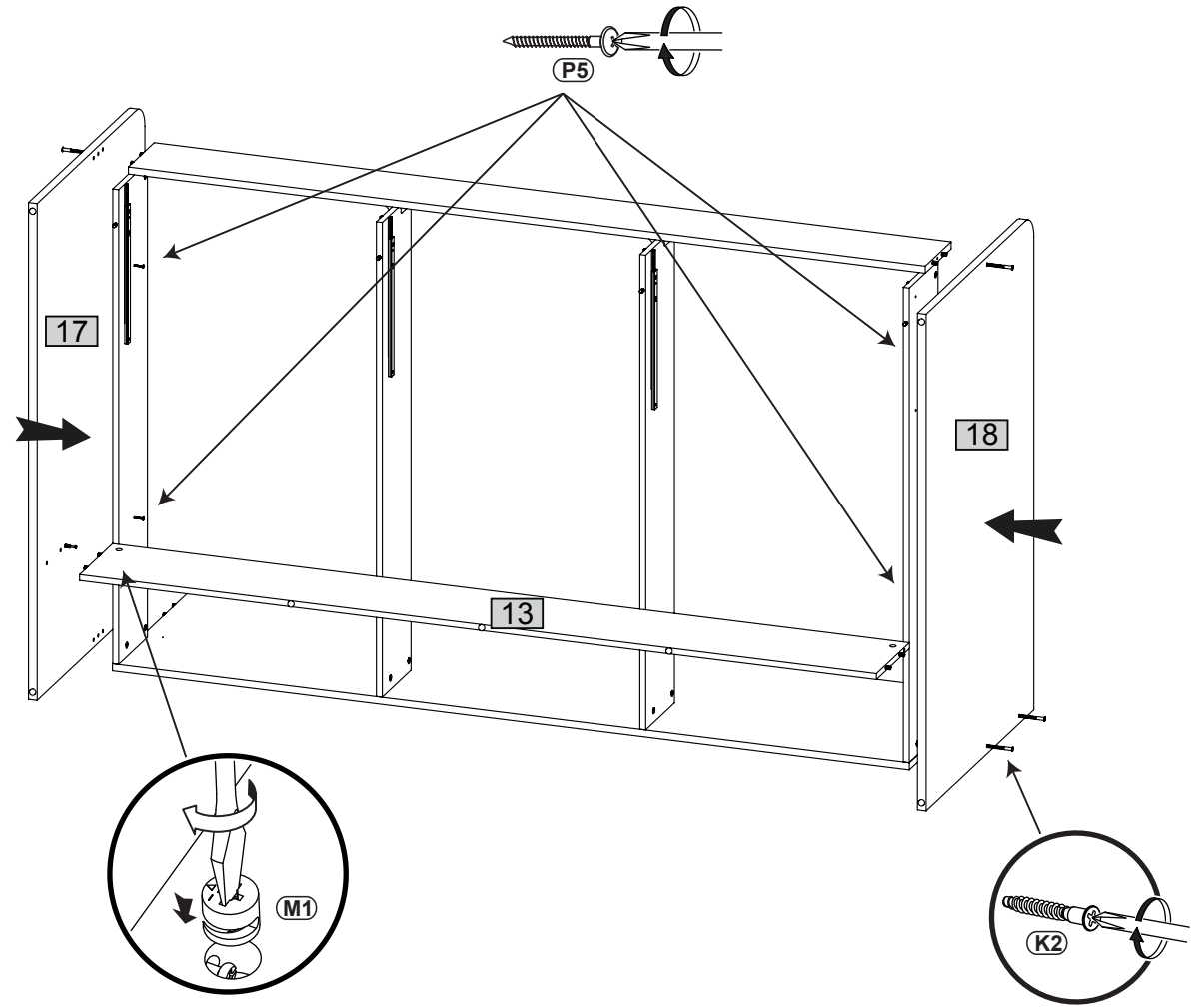




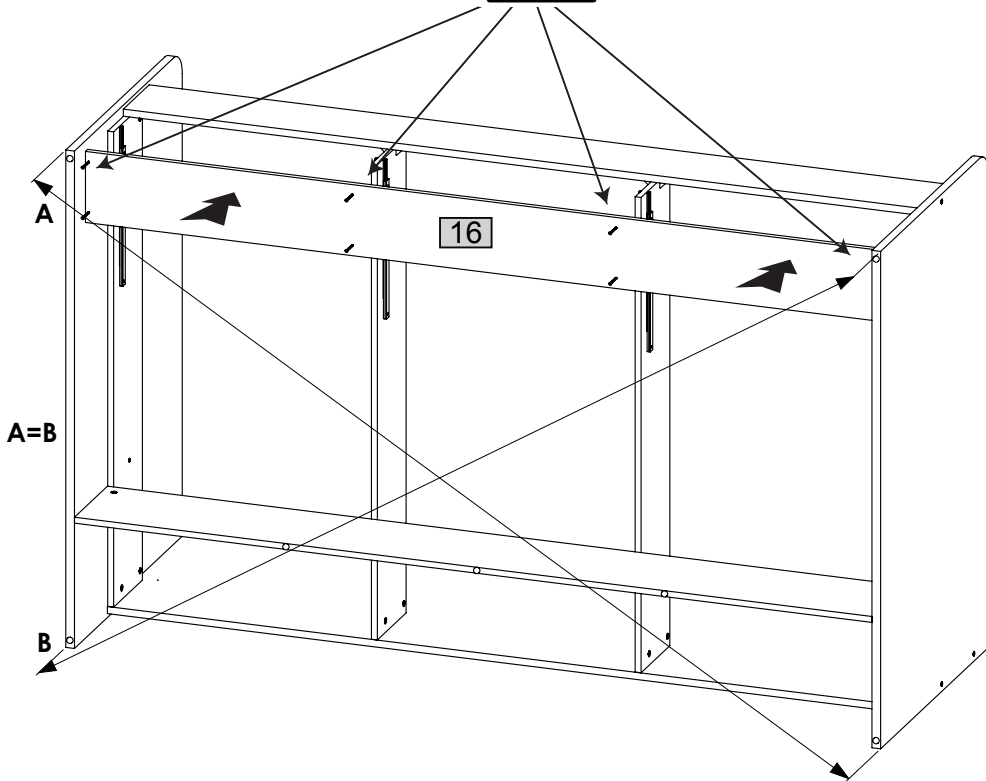
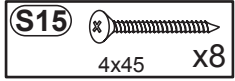
11 **M1**  x10



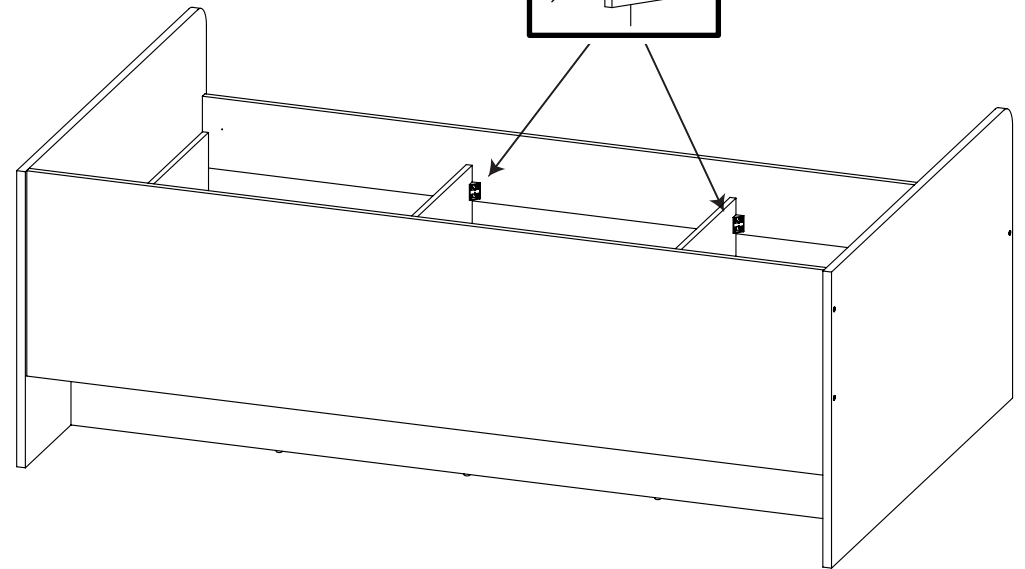
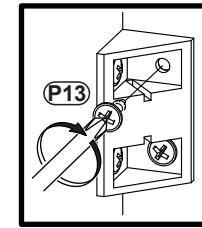
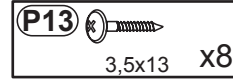
12 **M1**  x2 **K2**  7x70 x6 **P5**  4x30 x4



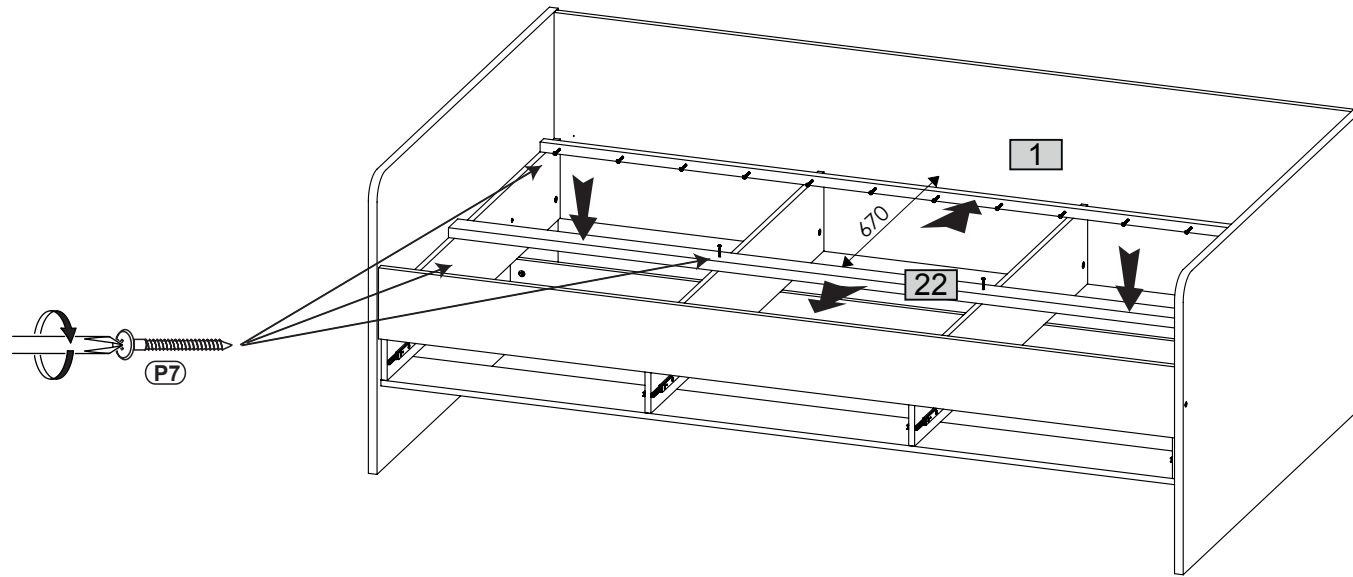
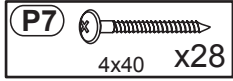
13



14



15



16

