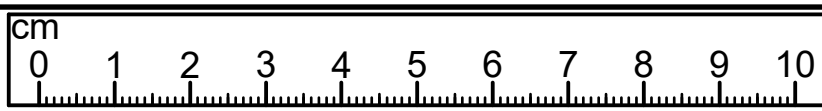
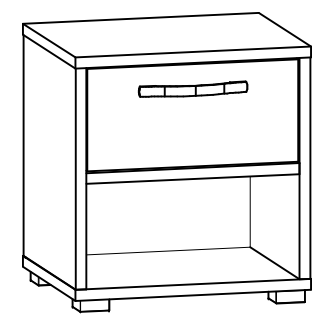
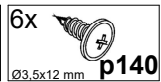
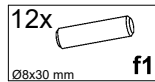
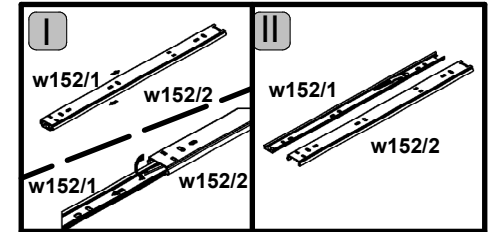
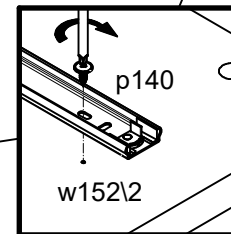
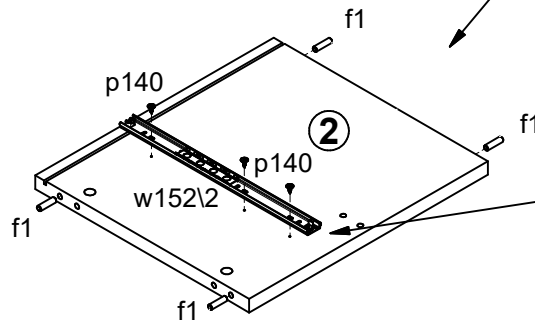
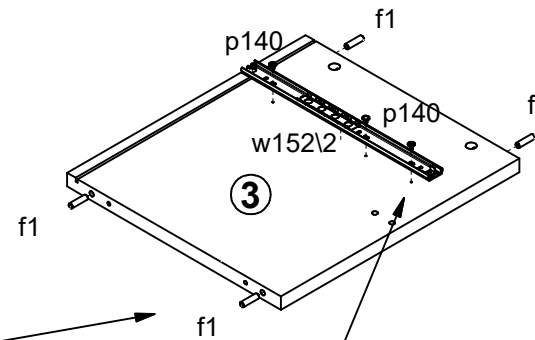
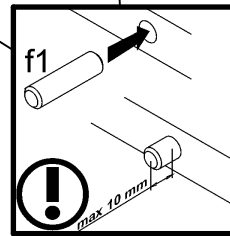
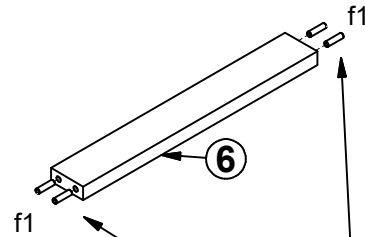
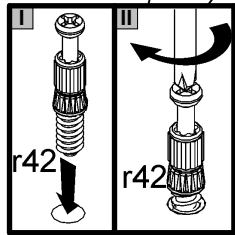
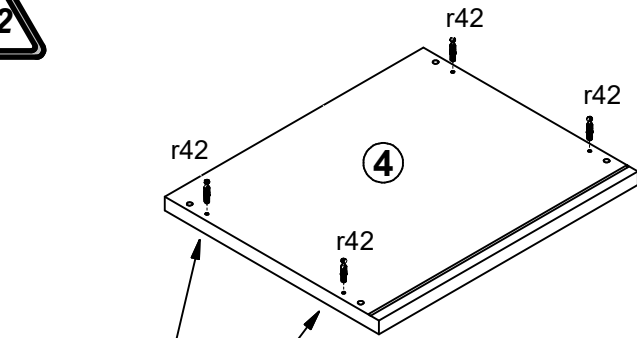


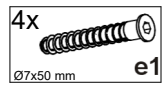
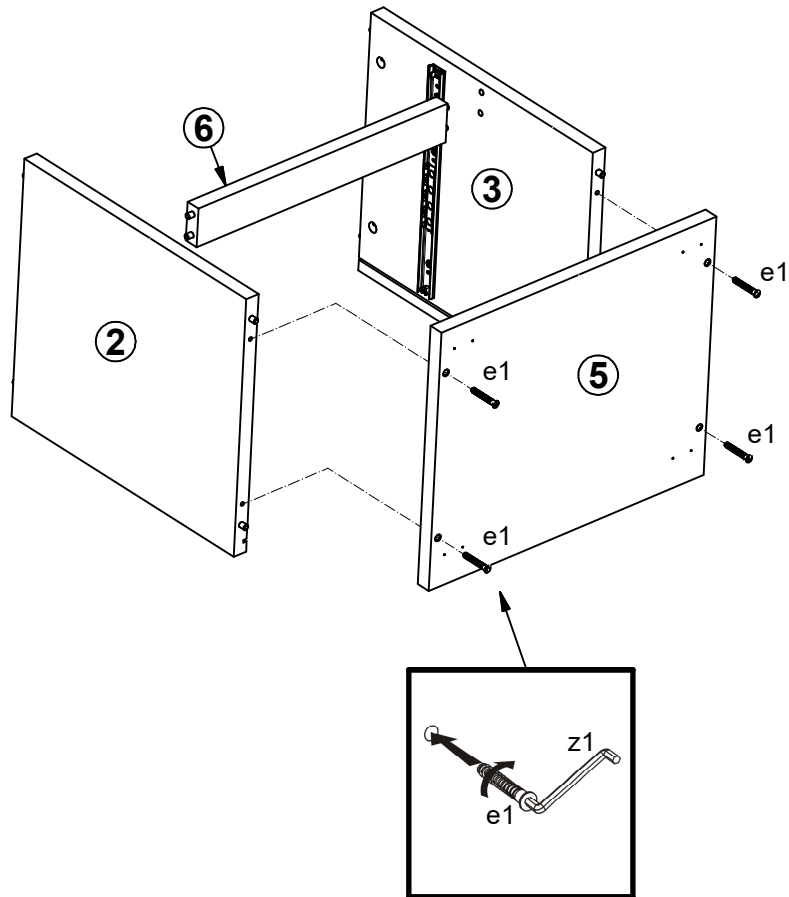
A	B	C (mm)		D
1	S387-0001	433	206	1/1
2	S387-1014	446	400	1/1
3	S387-1015	446	400	1/1
4	S387-2009	484	401	1/1
5	S387-2010	484	401	1/1
6	S387-4001	438	60	1/1
7	S387-9006	403	347	1/1
8	S387-9007	456	448	1/1
9	ZK1-509	350	160	1/1
10	ZK1-510	350	160	1/1
11	ZS1-6574	393	160	1/1



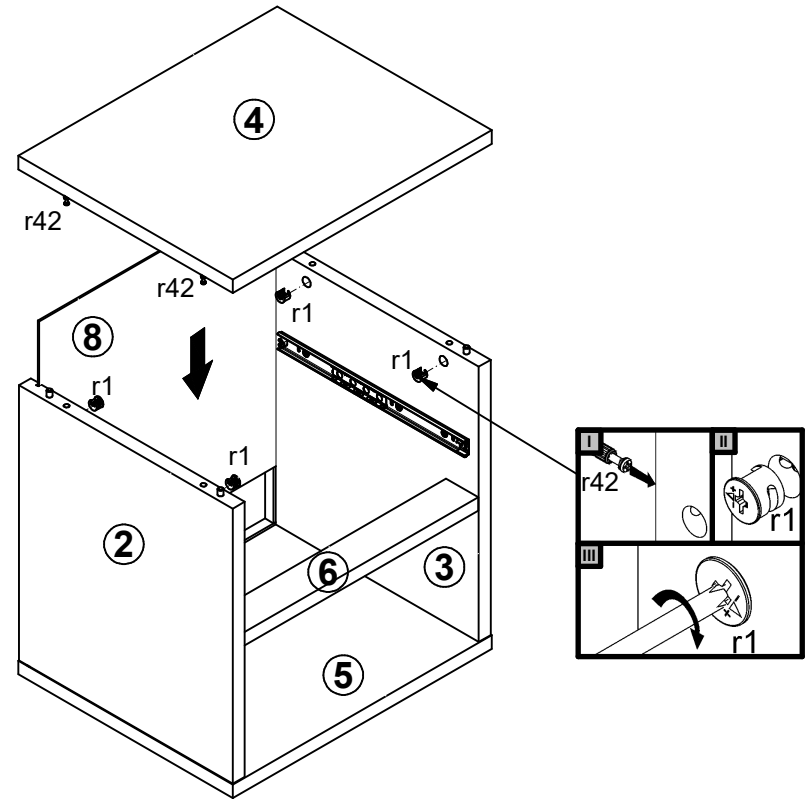
- 1x
160mm
 c473\1
- 4x
Ø7x50 mm
 e1
- 12x
Ø8x30 mm
 f1
- 2x
Ø6x30 mm
 f9
- 4x
Ø6.5x40 mm
 f25
- 2x
M4x20 mm
 j1
- 4x
 k55
- 4x
Ø6.5x12 mm
 l2
- 8x
Ø4x35 mm
 p6
- 12x
Ø3.5x12 mm
 p140
- 4x
Ø15x12 mm #16
 r1
- 4x
Ø12x10.5 mm #12
 r15
- 8x
20/11
 r42
- 2x
350/580 mm
 w1521
- 2x
350/580 mm
 w1522
- 2x
Ø 20mm
 s68
- 1x
4 mm
 z1



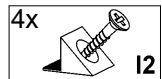
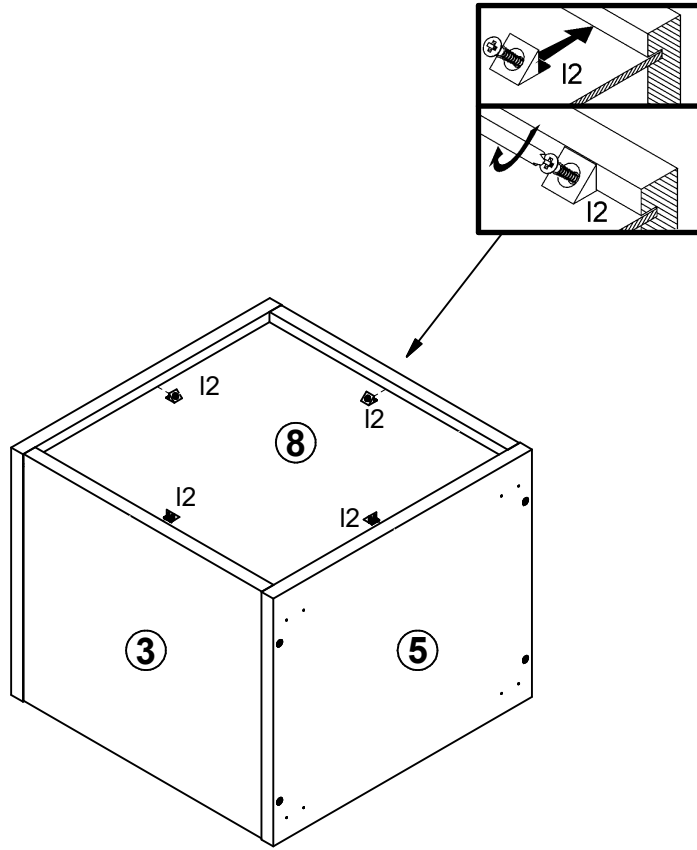
2



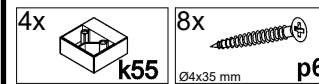
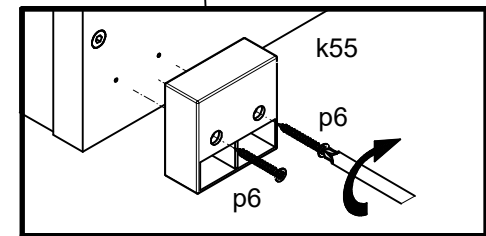
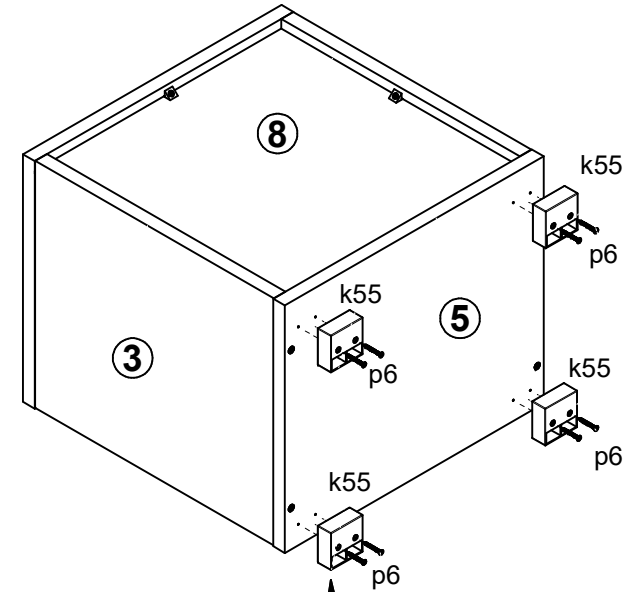
3



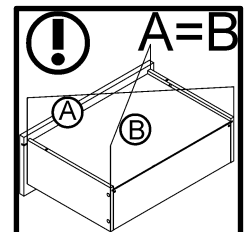
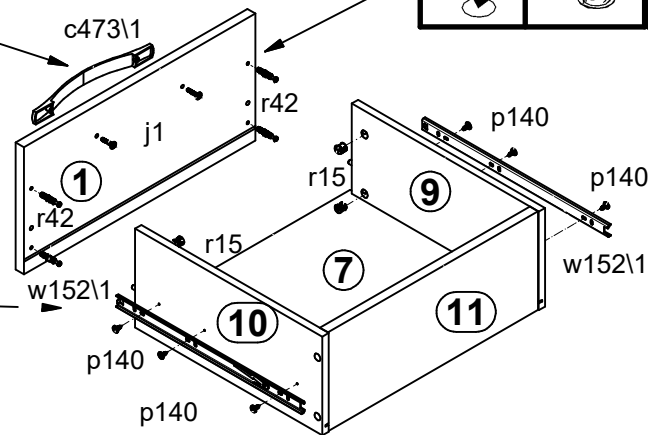
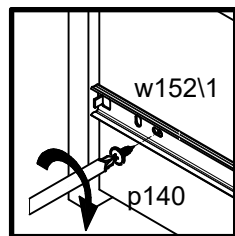
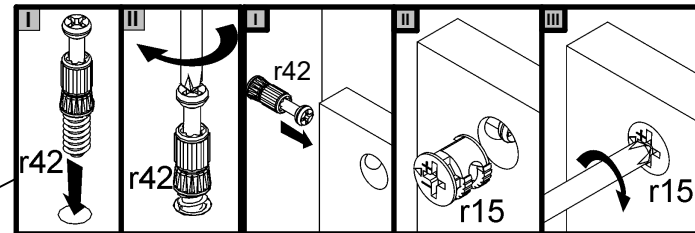
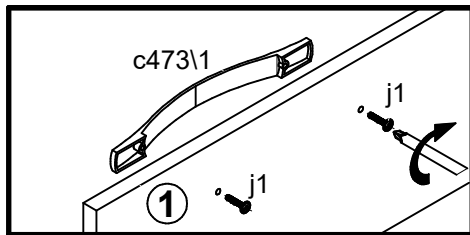
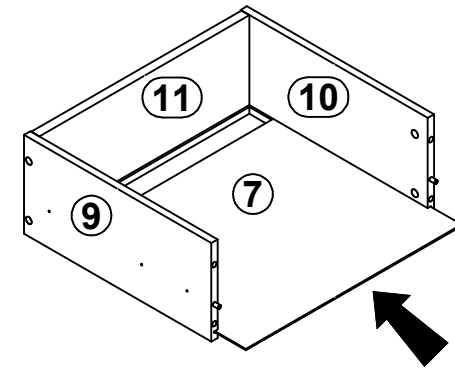
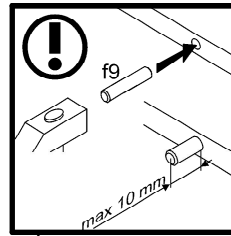
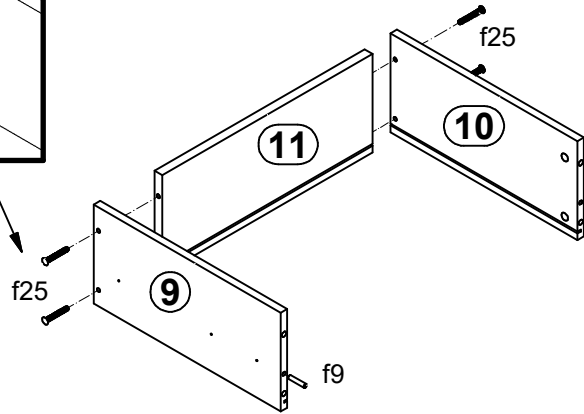
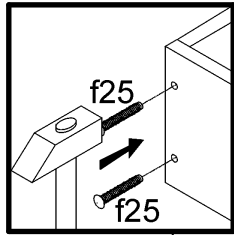
4



5



6



- 1x c473\1
- 2x f9
- 4x f25
- 2x j1
- 6x p140
- 4x r15
- 4x r42
- 2x w152\1

7

