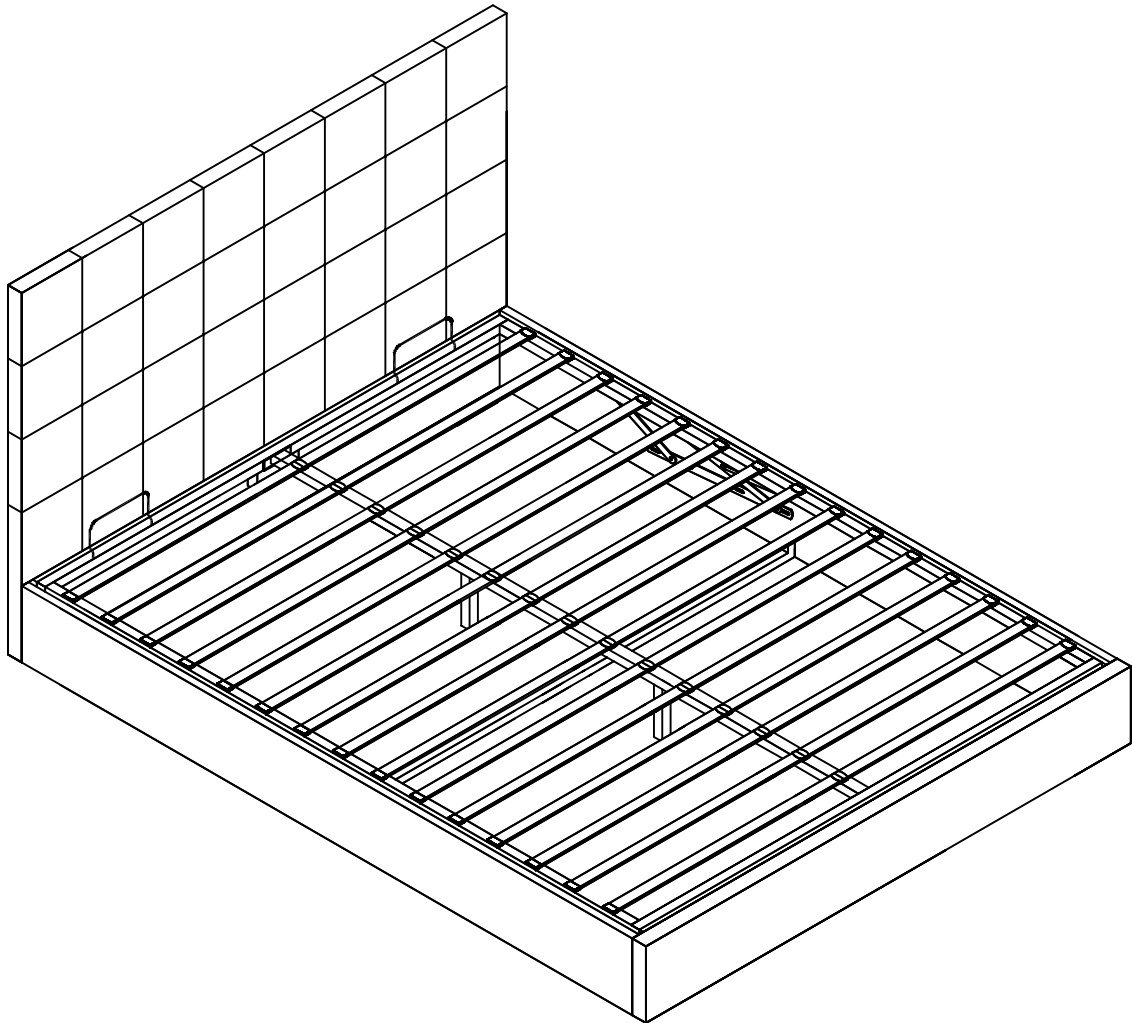


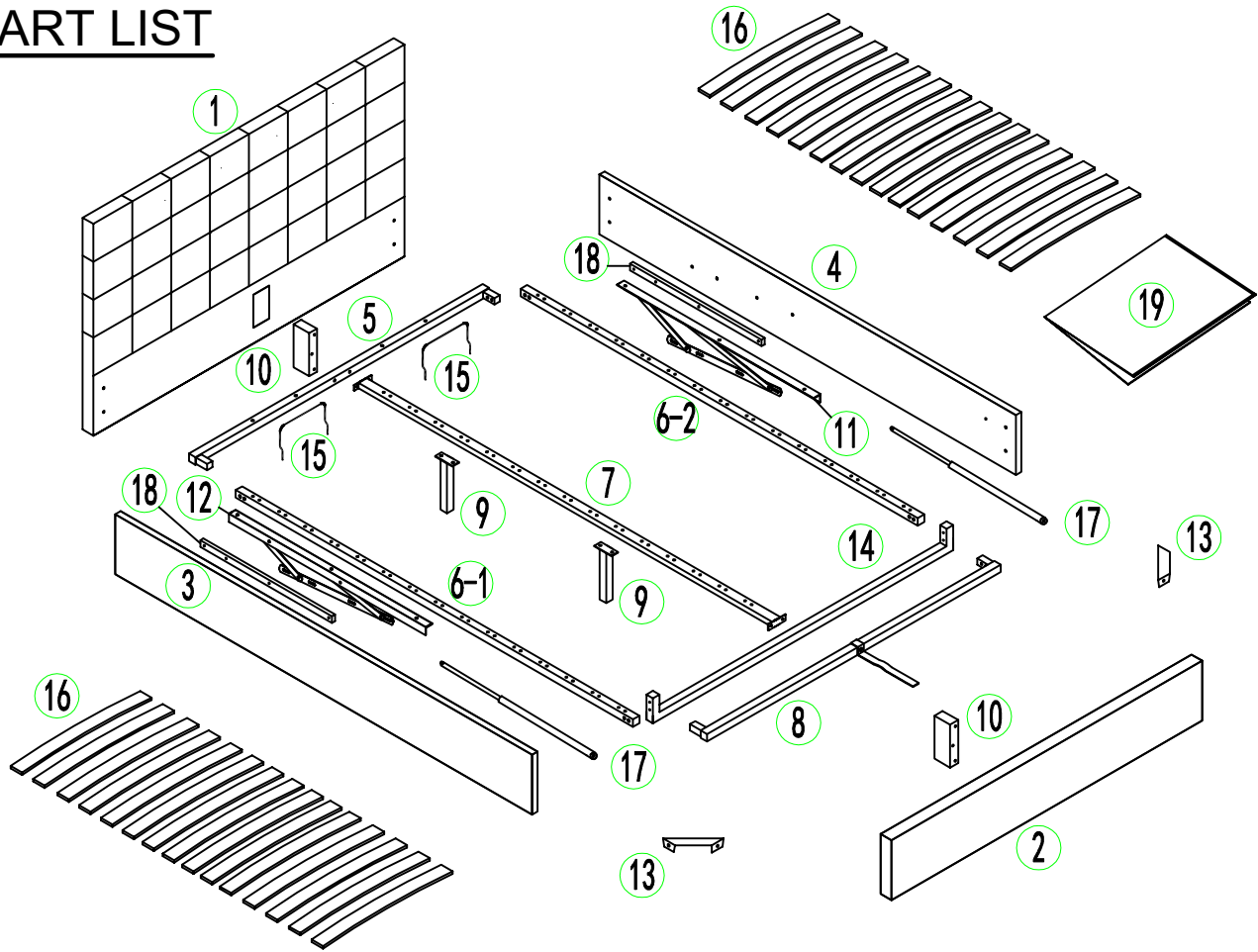
LUXOR BED LX-902

ASSEMBLY INSTRUCTIONS



LUXOR BED IS FOR DOMESTIC USE
AND STRICTLY NOT FOR CONTRACT USE.

PART LIST



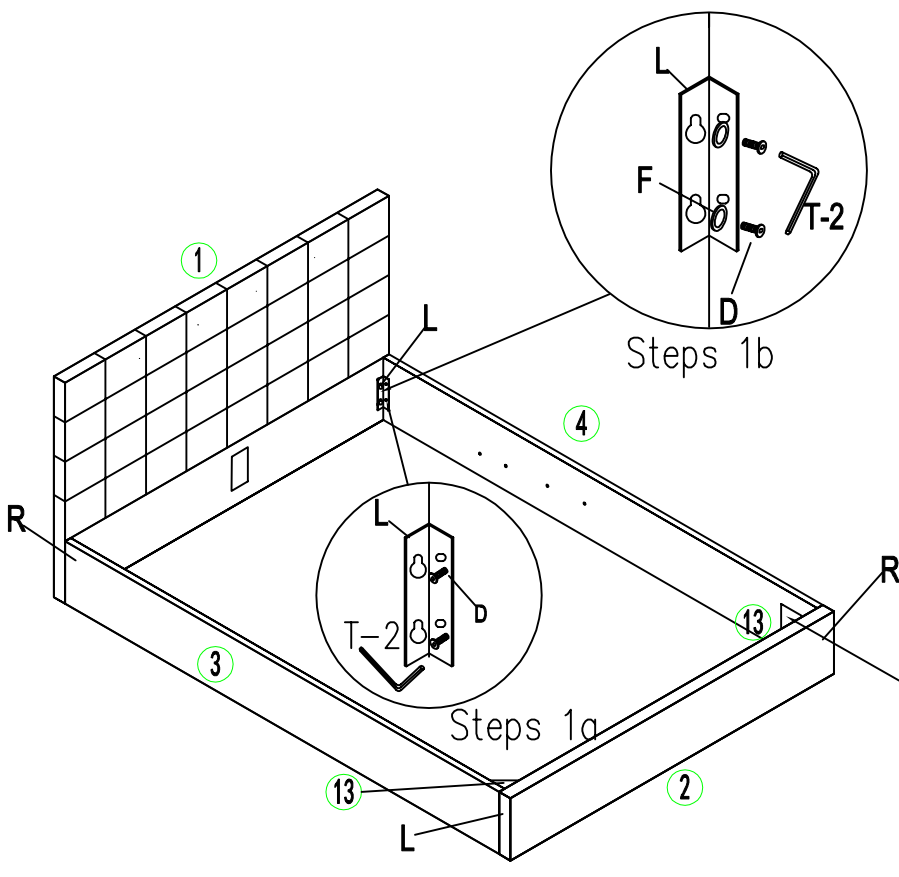
HARDWARE LIST

Label	Picture	Description	Qty	Label	Picture	Description	Qty
A		Single Plastic CAP	30	G		NUT	4
B		Double Plastic CAP	15	H		Bolt M8x15	22
C		Bolt M8x30	8	I		Bolt M6x20	4
D		Bolt M8x20	16	J		Screw 4*80	6
E		Screw 4*35	4	L		Connection Plate Left	2
F		Washer M8	8	R		Connection Plate Right	2

TOOL list

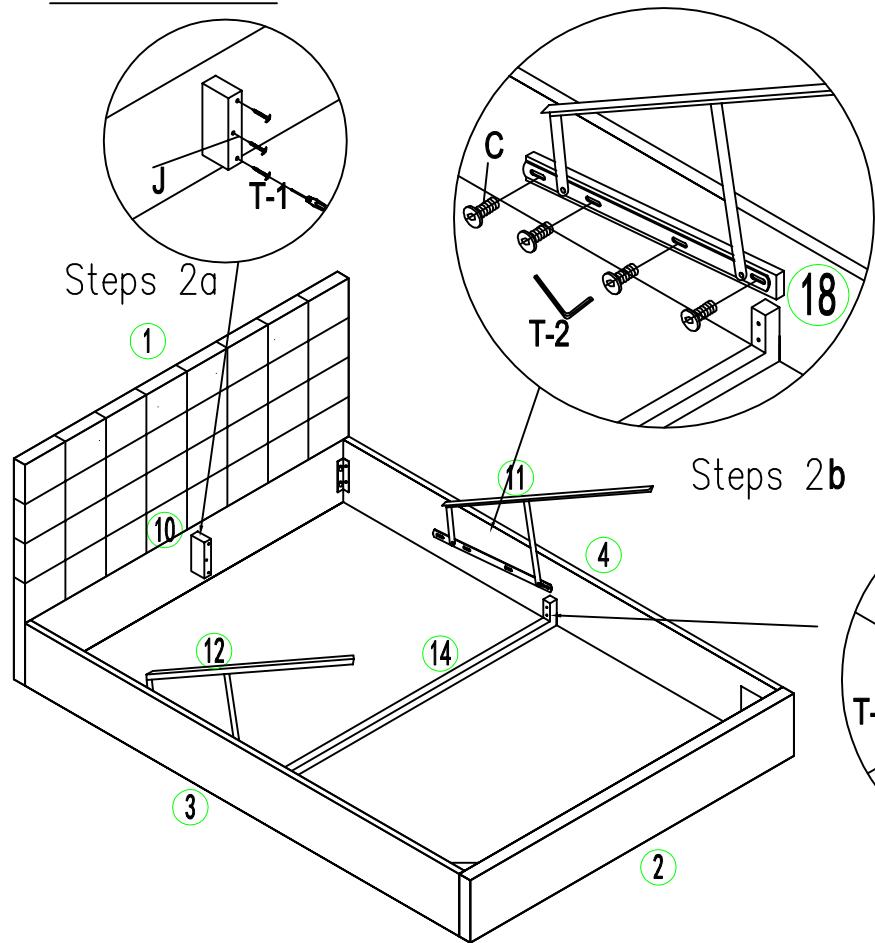
Label	Picture	Description	Qty
T-1		Screw driver(not provided)	1
T-2		Allen key M5	1
T-3		Allen key M4	1
T-4		SPANNER	1

Step 1



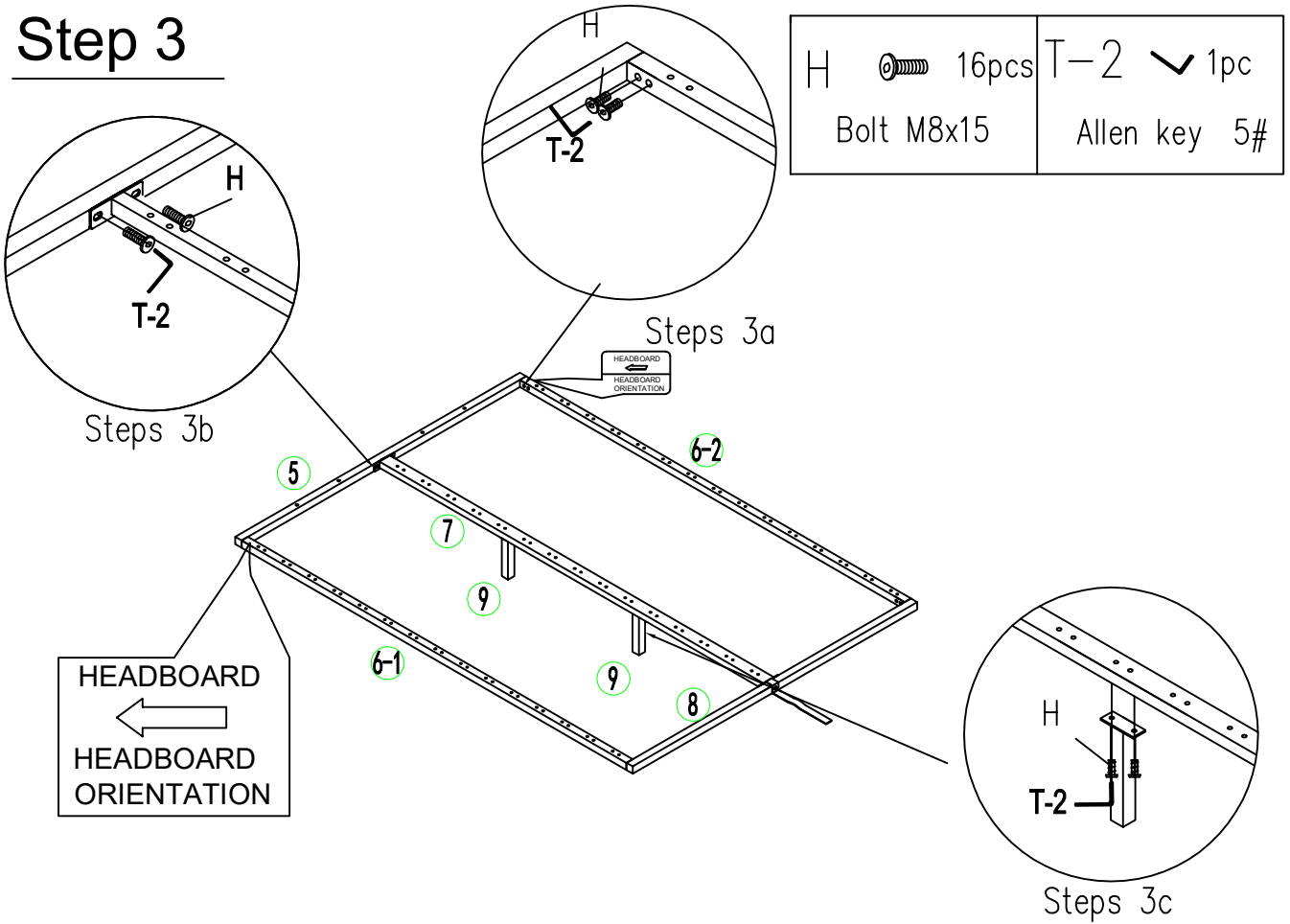
L		2pcs	R		2pcs
	Connection Plate Left			Connection Plate Right	
D		16pcs	I		4pcs
	Bolt M8x20			Bolt M6x20	
F		8pcs	T-2		1pc
	Washer M8			Allen key 5#	
			T-3		1pc
				Allen key 4#	

Step 2

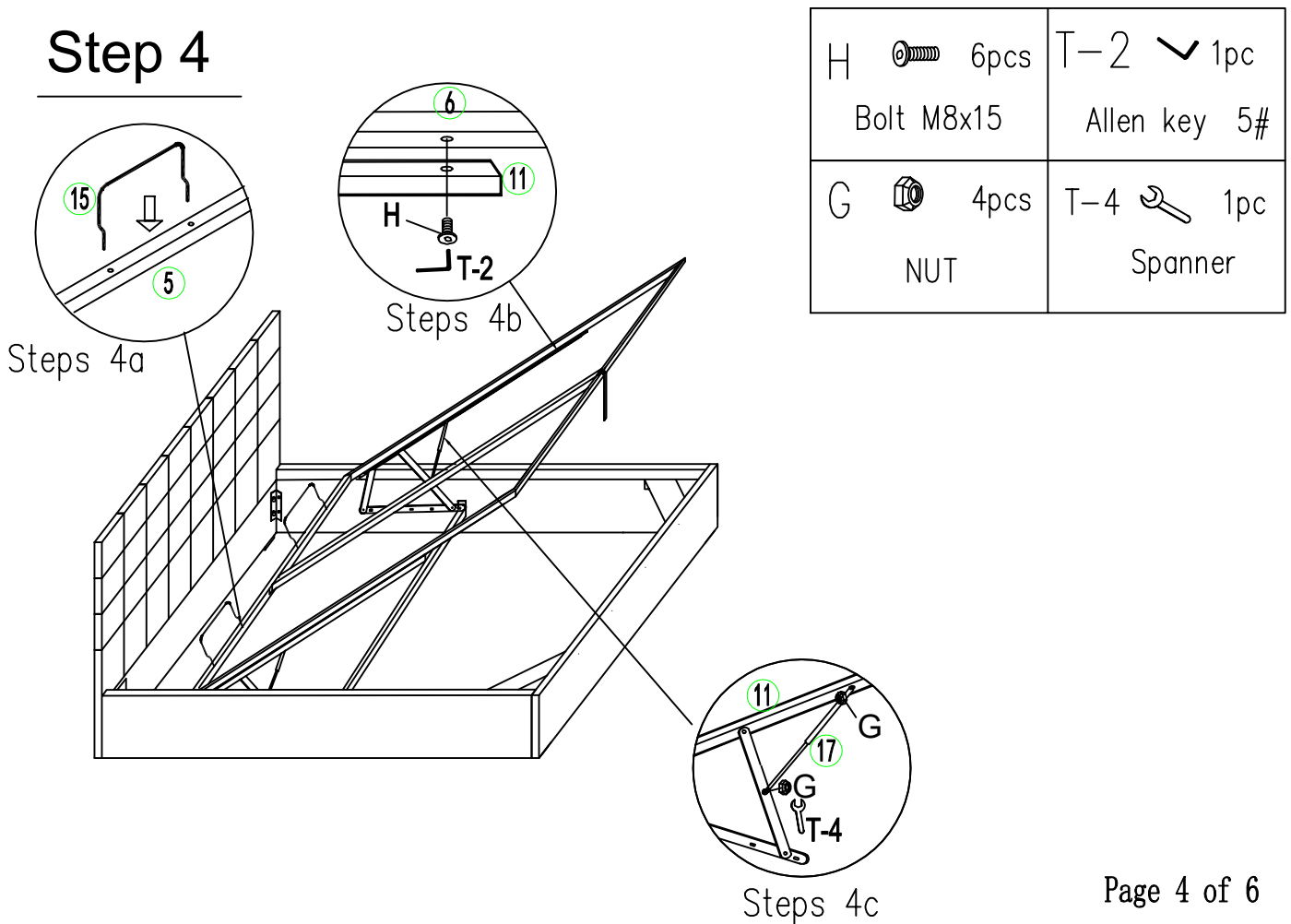


J		6pcs	T-2		1pc
	Screw 4*80			Allen key 5#	
E		4pcs	C		8pcs
	Screw 4*35			Bolt M8x30	
			T-1		1pc
				Screw driver (not provided)	



Step 3

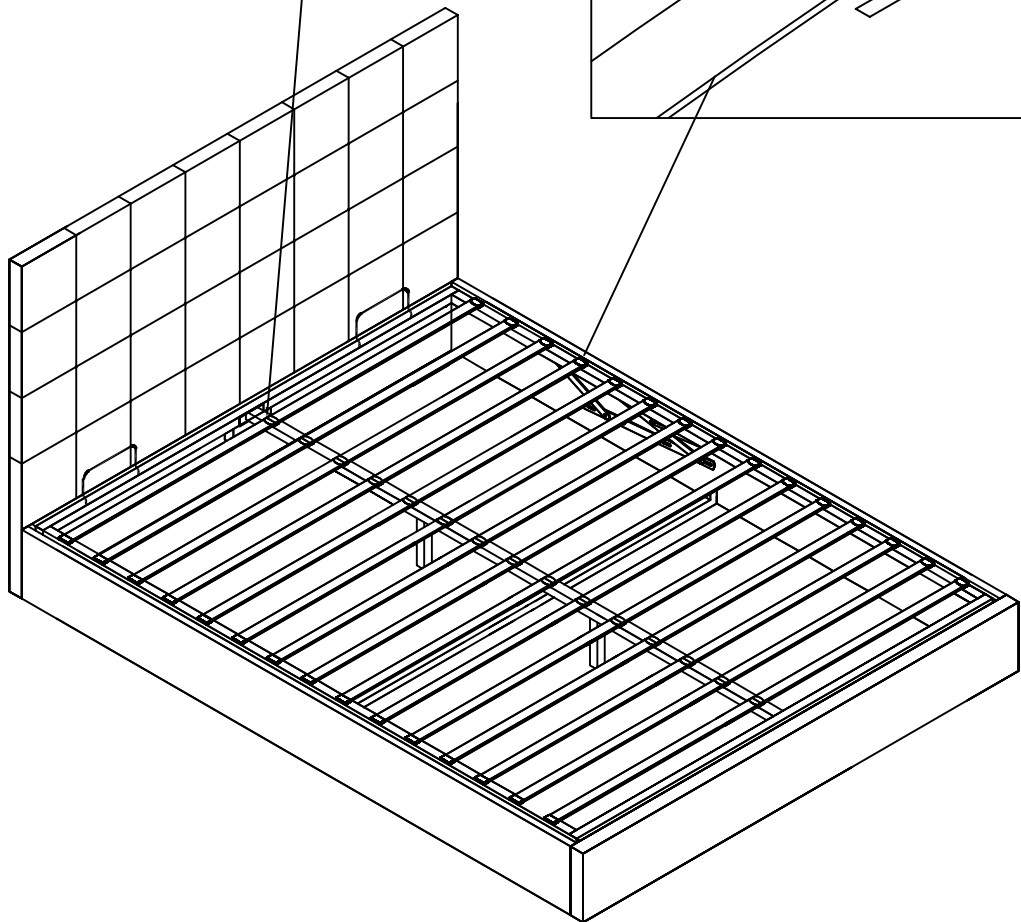
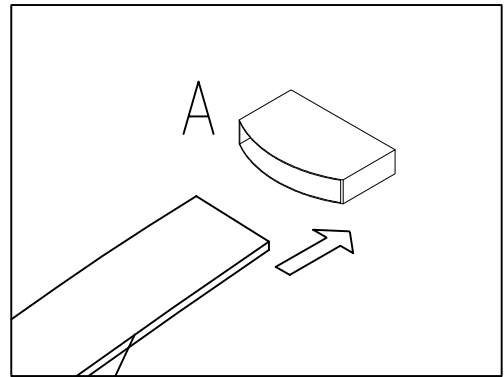
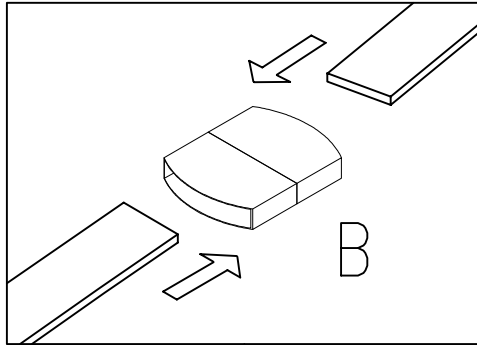


Step 4



Step 5

A		30pcs	B		15pcs
	Single			Double	
	Plastic			Plastic	
	CAP			CAP	



Step 6

PASTE NON WOVEN FABRIC TO THE BOTTOM OF THE BED

