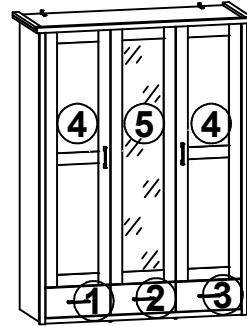


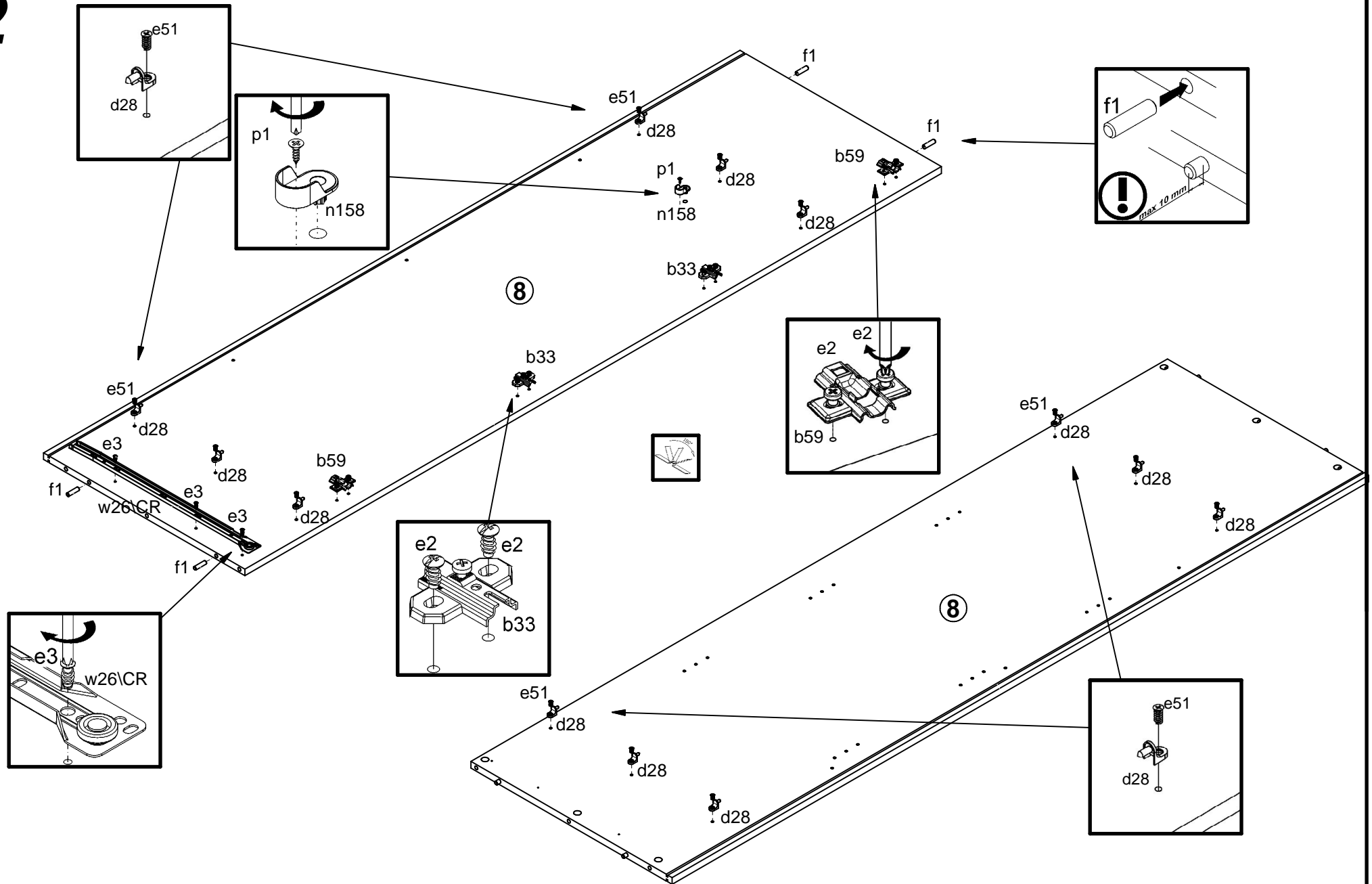
| A | B | C (mm) | | D |
|----|-----------|--------|-----|-----|
| 1 | S328-005 | 444 | 200 | 5/5 |
| 2 | S328-006 | 444 | 200 | 5/5 |
| 3 | S328-007 | 444 | 200 | 5/5 |
| 4 | S328-011 | 1716 | 444 | 5/5 |
| 5 | S328-012 | 1716 | 444 | 5/5 |
| 6 | S328-116 | 1964 | 585 | 1/5 |
| 7 | S328-117 | 1964 | 585 | 1/5 |
| 8 | S328-118 | 1928 | 557 | 2/5 |
| 9 | S328-119 | 198 | 541 | 4/5 |
| 10 | S328-205 | 1480 | 615 | 3/5 |
| 11 | S328-310 | 1348 | 577 | 3/5 |
| 12 | S328-311 | 890 | 541 | 2/5 |
| 13 | S328-312 | 442 | 541 | 4/5 |
| 14 | S328-313 | 890 | 541 | 2/5 |
| 15 | S328-314 | 442 | 541 | 4/5 |
| 16 | S328-315 | 441 | 520 | 4/5 |
| 17 | S328-910 | 1938 | 899 | 1/5 |
| 18 | S328-911 | 1938 | 451 | 1/5 |
| 19 | S328-912 | 415 | 505 | 2/5 |
| 20 | S328-913 | 405 | 505 | 2/5 |
| 21 | ZS3-5533 | 393 | 120 | 4/5 |
| 22 | ZS3-5640 | 383 | 120 | 4/5 |
| 23 | ZS4-505 | 500 | 120 | 4/5 |
| 24 | ZS4-506 | 500 | 120 | 4/5 |
| 25 | dr-885x30 | 885 | 30 | 3/5 |



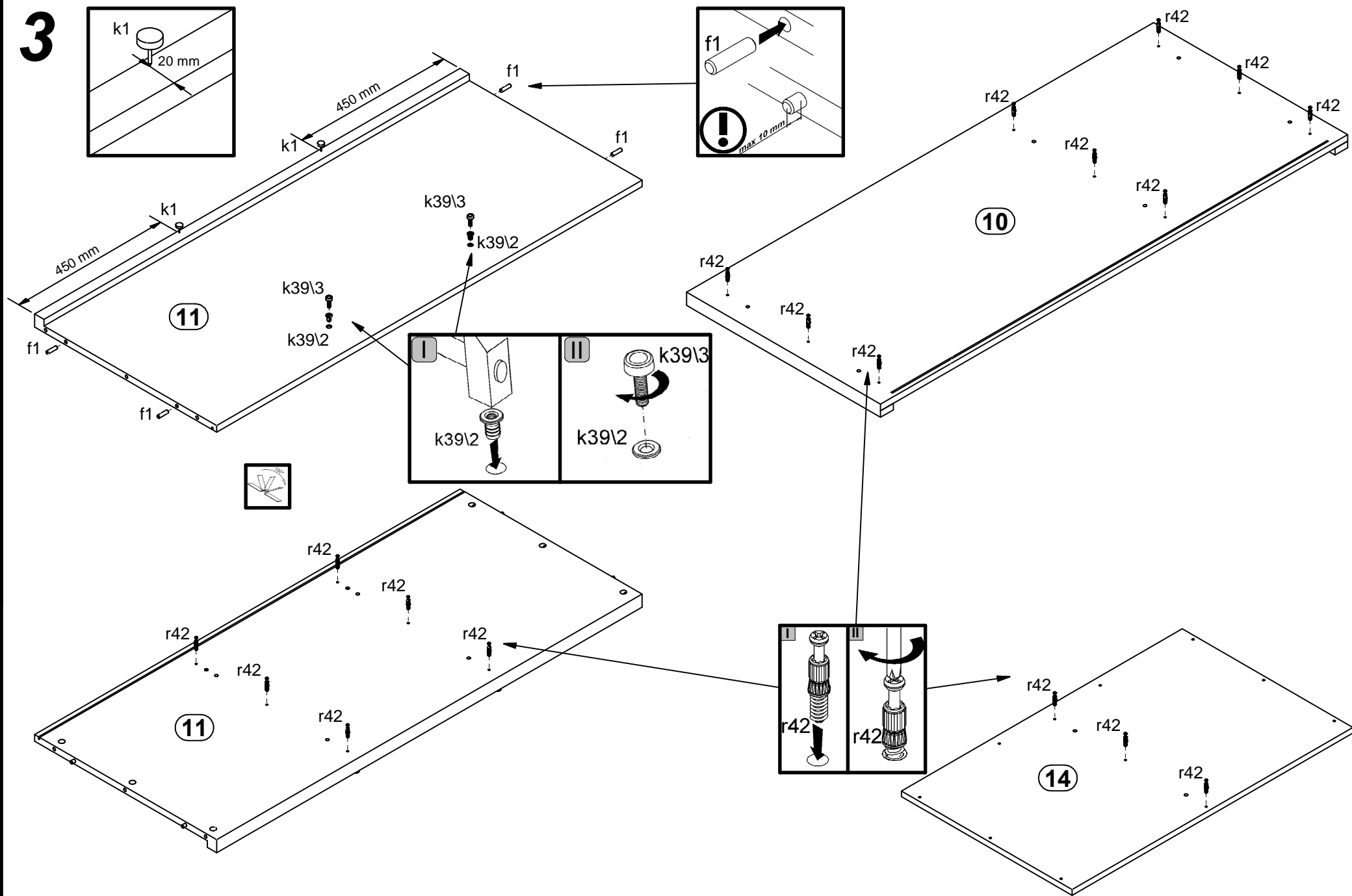
cm

| | | | | | | | | |
|---------------------------------|--------------------------------|------------------------|-----------------------------|--------------------------------|------------------------|-------------------------|------------------------------|--------------------------|
| 4x hamulec K16, #35 a101 | 2x hamulec K9, #35 a103 | 4x K16 a43 | 2x K9,5 a68 | 12x Ø5x17 mm d1 | 18x d20 | 24x d28 | 12x Ø6x13 mm e3 | 18x Ø5x9 mm e19 |
| 2x DL5 b33 | 4x Ø3 b35 | 6x b59 | 5x 128 mm c406 | 12x Ø6,5x40 mm f25 | 10x M4x25 mm j8 | 6x k1 | 2x M6/Ø14x14 mm k3912 | 2x M6/22 mm k3913 |
| 18x Ø6,3x10 mm e50 | 24x Ø6,3x10 mm e51 | 16x Ø8x30 mm f1 | 6x Ø6x30 mm f9 | 12x Ø12x10,5 mm #12 r15 | 36x 20/11 r42 | 3x 500 mm w26\CL | 3x 500 mm w26\CR | 3x 500 mm w26\DL |
| 13x Ø3,5x16 mm p38 | 24x Ø3,5x15 mm p51 | 6x Ø3x12 mm p54 | 24x Ø15x12 mm #16 r1 | 12x Ø12x10,5 mm #12 r15 | 36x 20/11 r42 | 3x 500 mm w26\CL | 3x 500 mm w26\CR | 3x 500 mm w26\DL |
| | | | | | | 3x 500 mm w26\DR | 10x Ø16 s2 | |

2



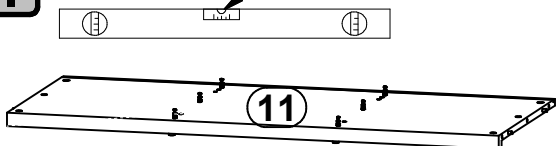
3



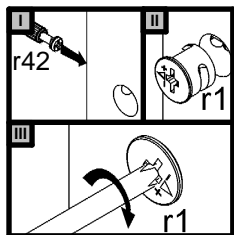
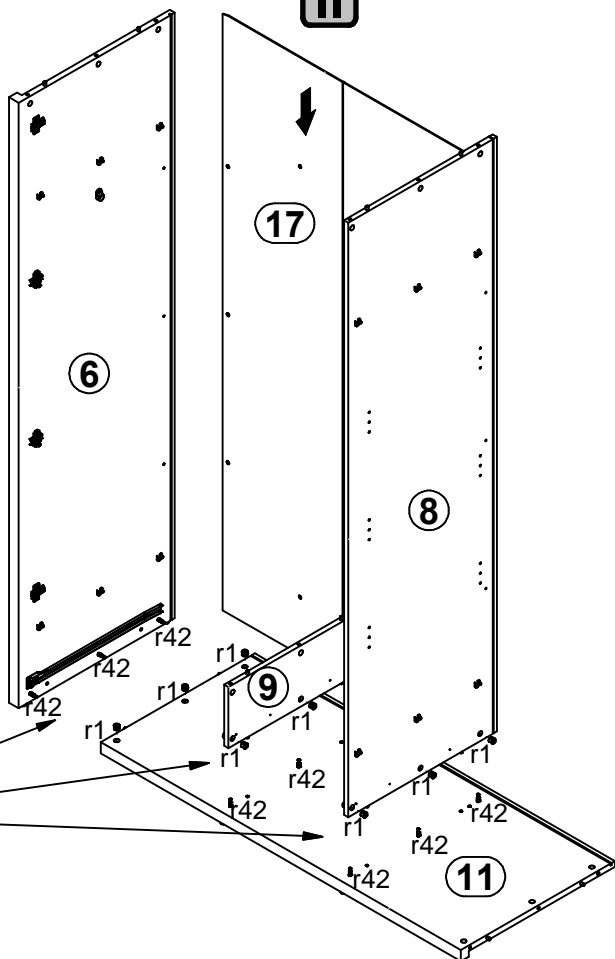
4 §6



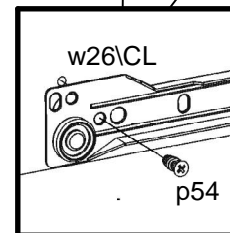
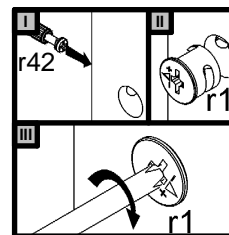
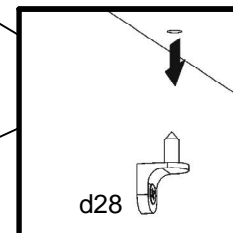
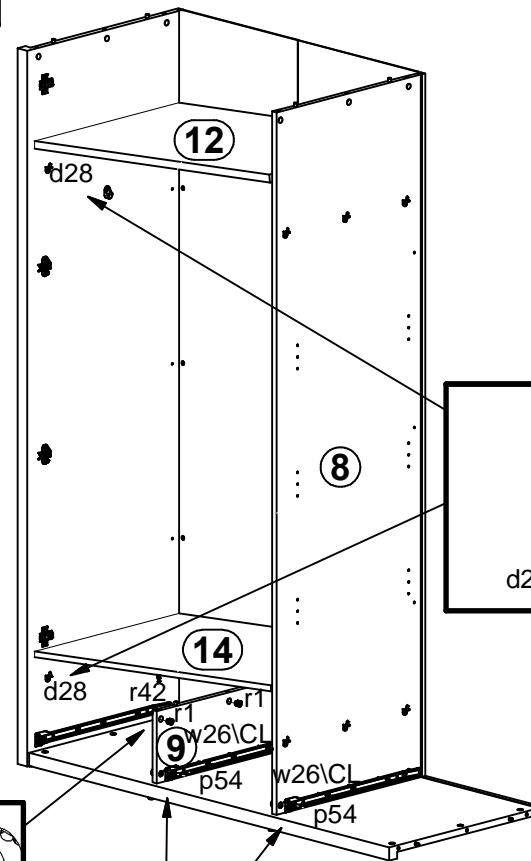
I



II

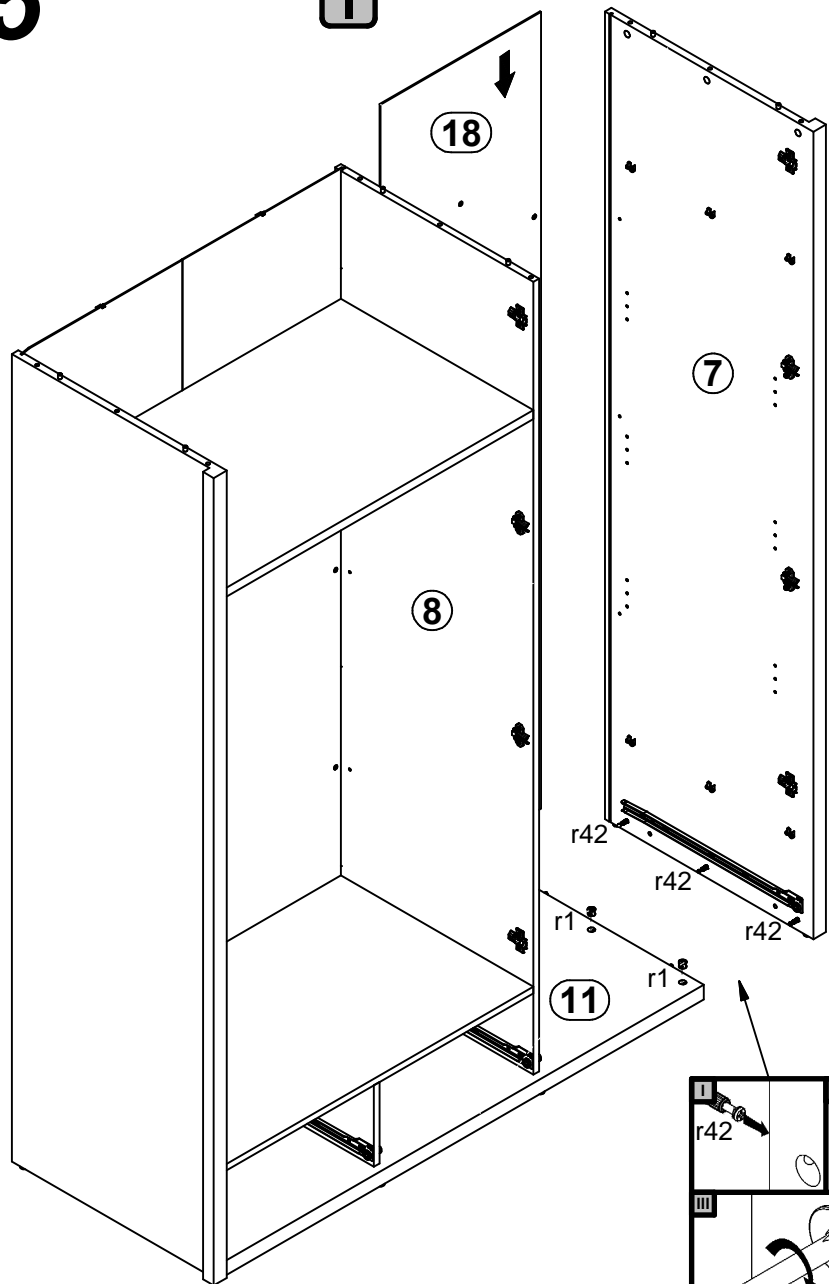


III

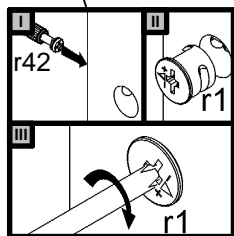
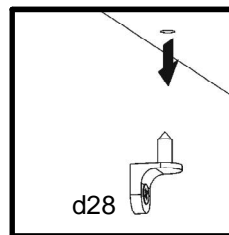
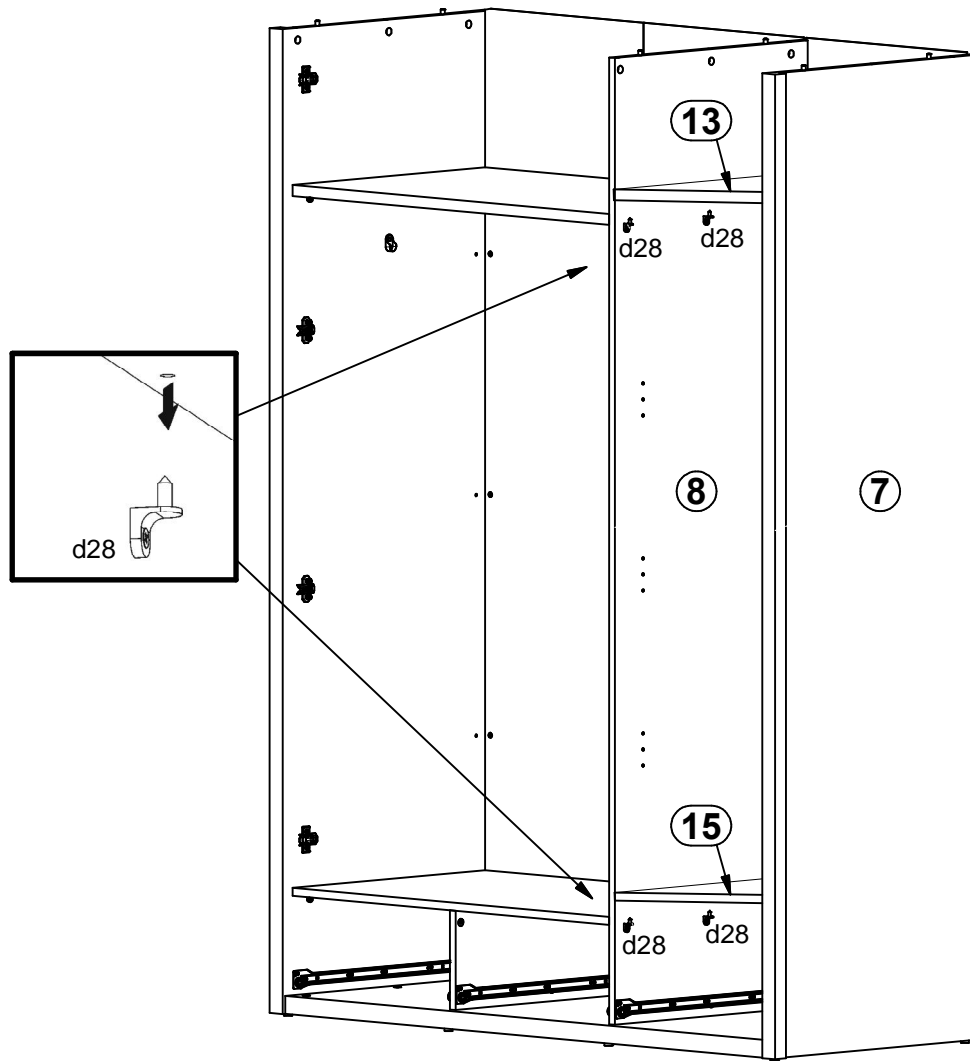


5

I



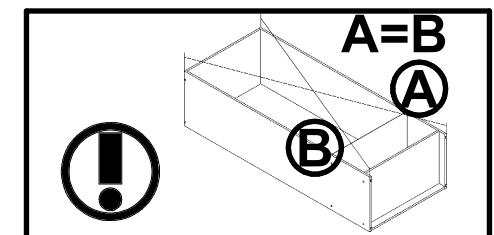
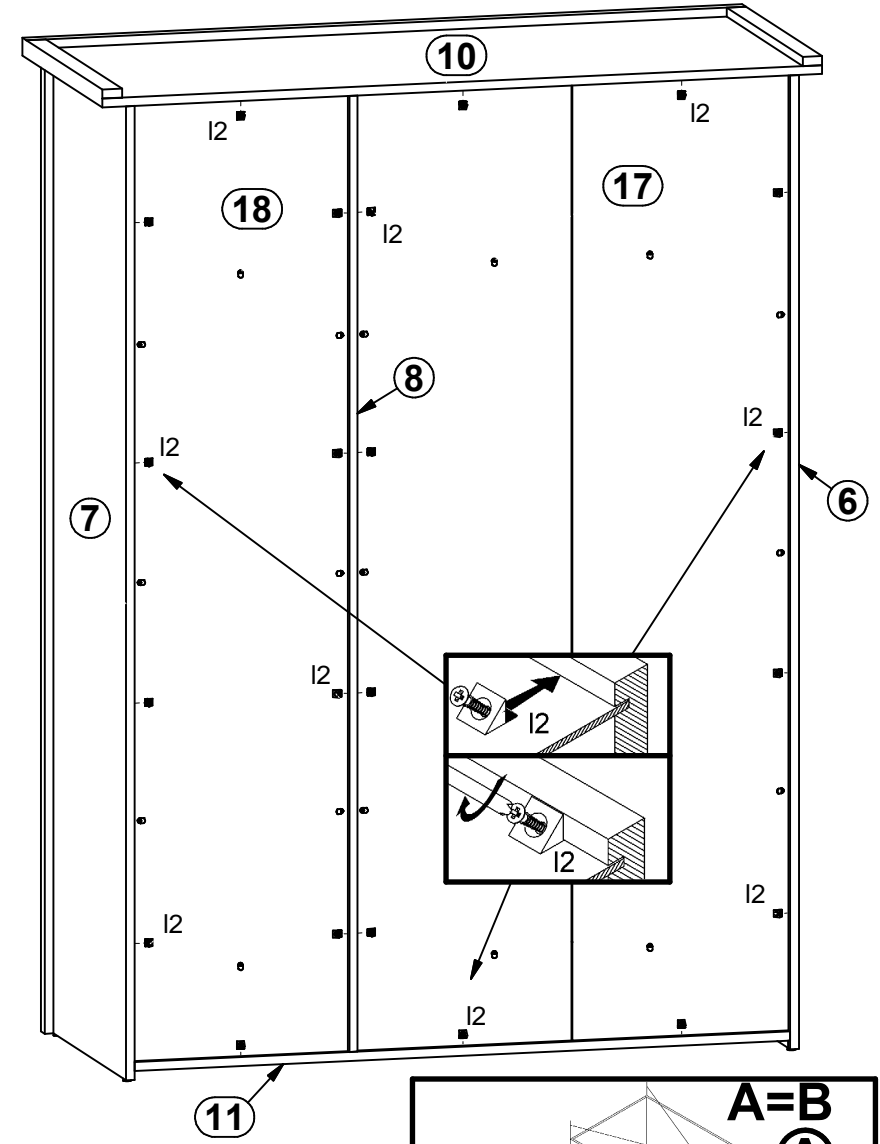
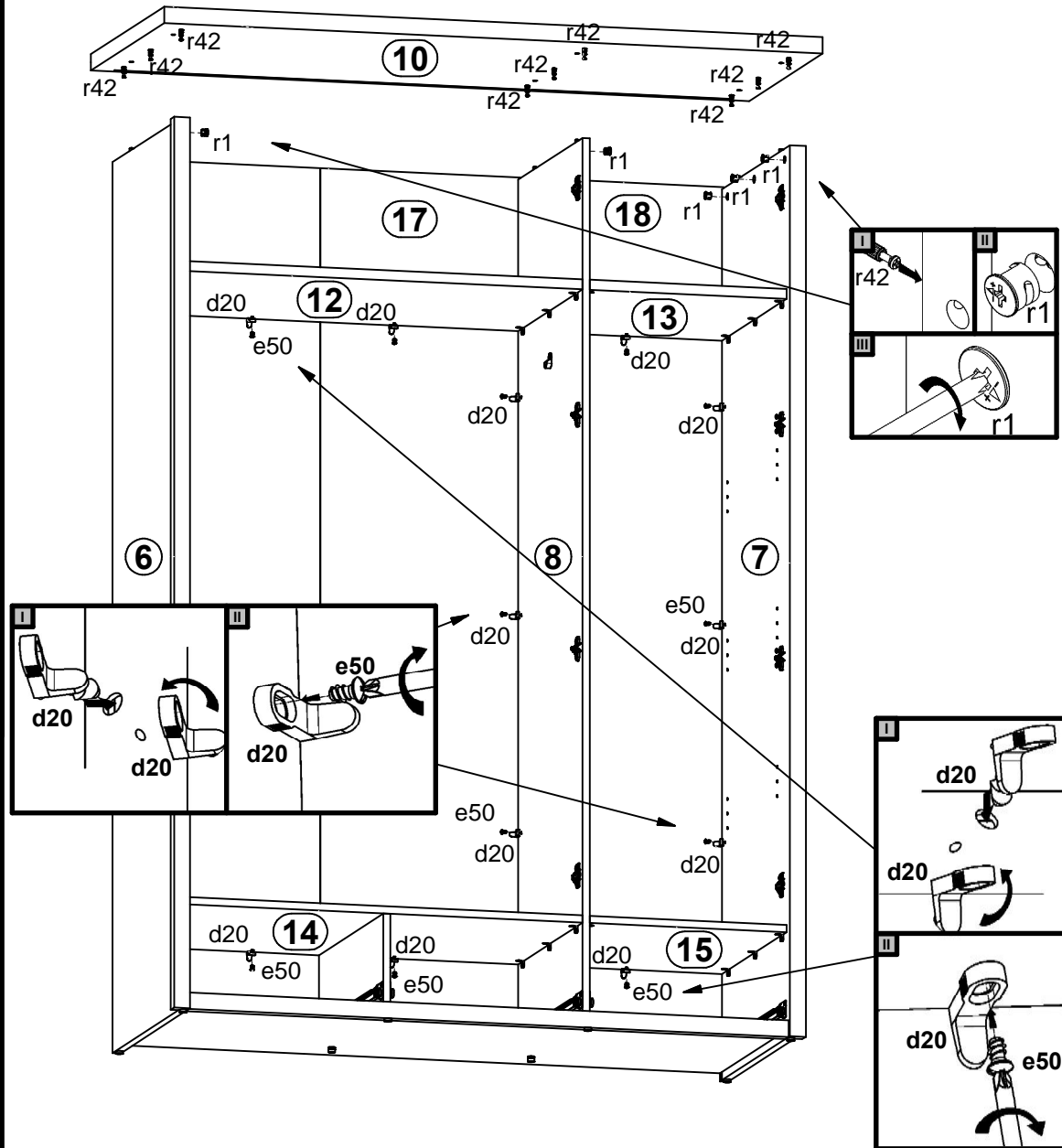
III



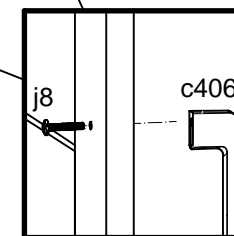
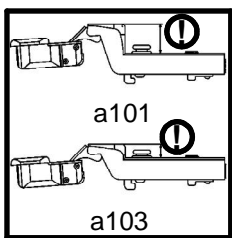
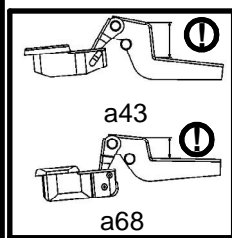
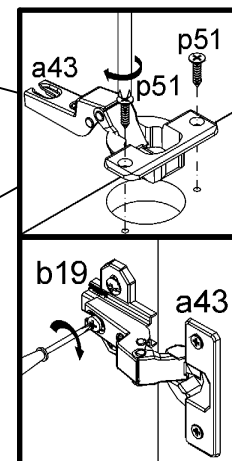
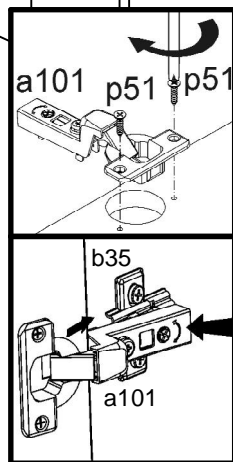
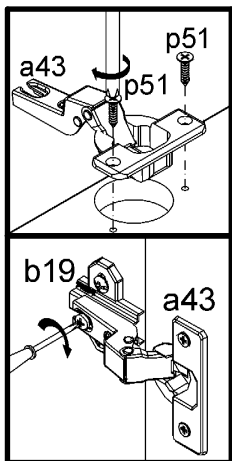
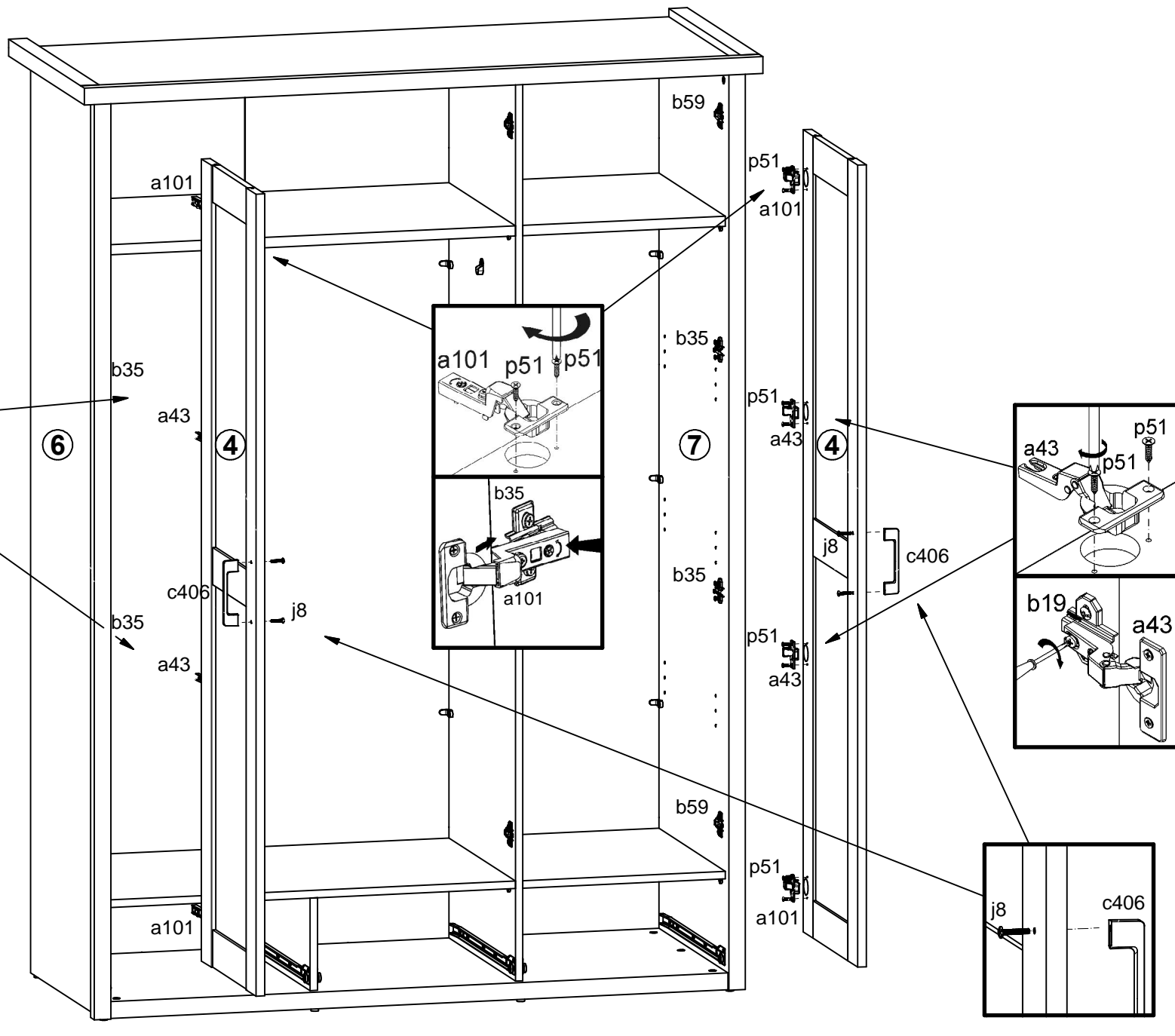
6

I

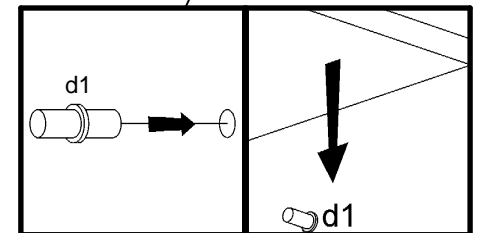
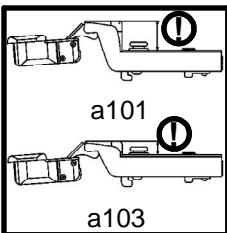
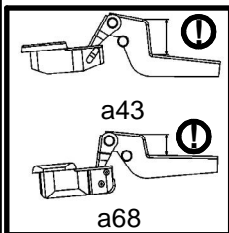
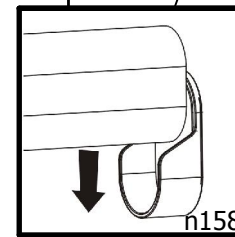
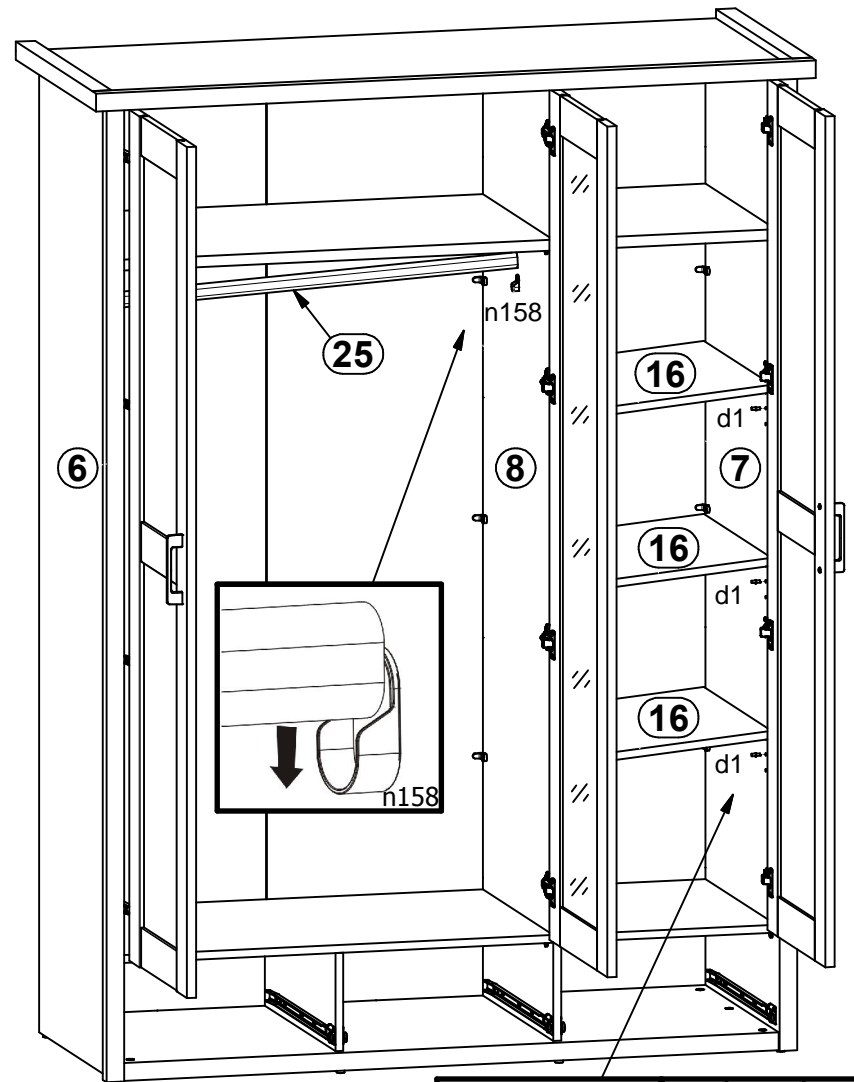
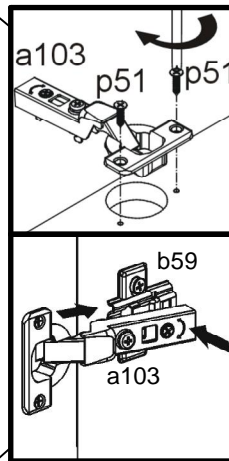
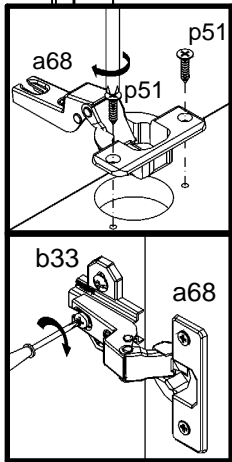
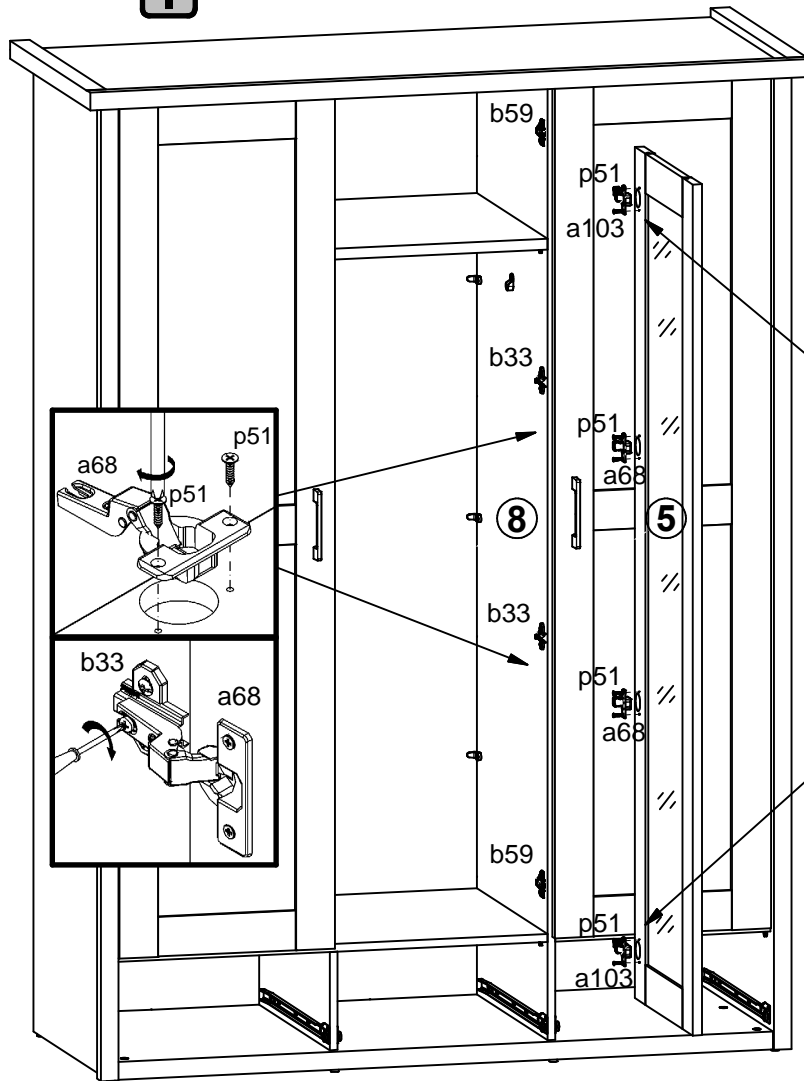
II



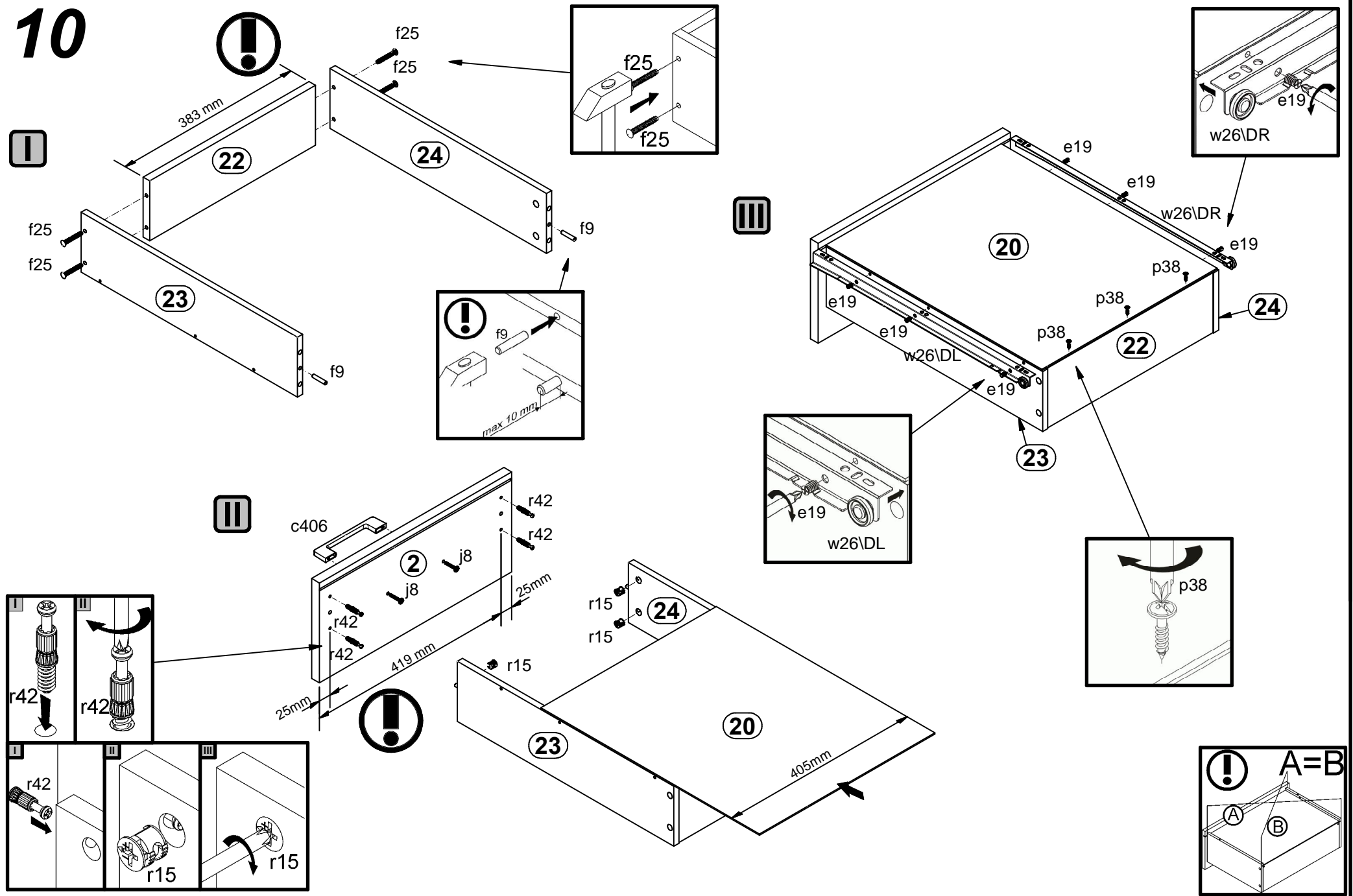
7



8



10



11

